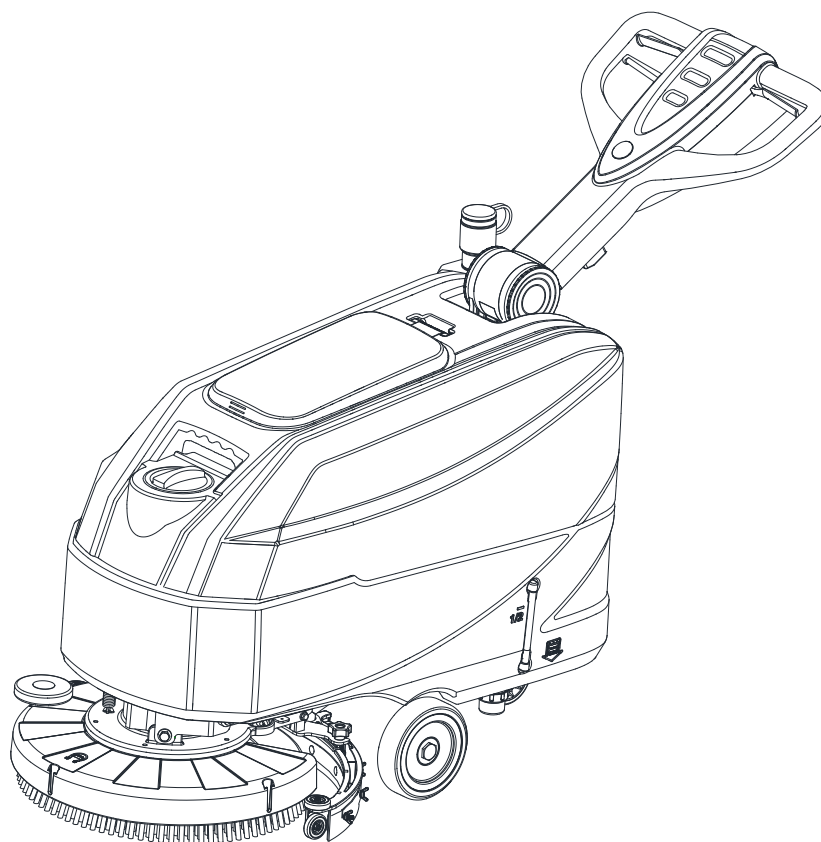


AS4325B

INSTRUCTION FOR USE



Model No.: 50000580

VS15315 Rev. A JAN. 2020

Original instructions

VIPER



FCC Supplier's Declaration of Conformity

47 CFR § 2.1077 Compliance Information

Unique Identifier: FC - Floor Scrubber/Sweeper - Battery Type: AS4325

Responsible Party – U.S. Contact Information:

Nilfisk, Inc
9435 Winnetka Ave N
Brooklyn Park
Minnesota
MN-55442
USA

www.nilfisk.com

FCC Compliance Statement

This device complies with part 15 of the FCC rules. Operation is subject to the following two conditions: (1) This device may not cause harmful interference, and (2) this device must accept any interference received, including interference that may cause undesired operation. Users are not permitted to make changes or modify the device in any way. Changes or modifications not expressly approved by Nilfisk, Inc. will void the user's authority to operate the equipment.

Brooklyn Park
Nov 22, 2019

A handwritten signature in black ink that reads 'Jamie O'Neill'. The signature is written in a cursive, flowing style.

Jamie O'Neill
Senior Vice President, USFC Sales, EMEA Americas Sales



IC Supplier's Declaration of Conformity

ICES-Gen

Unique Identifier: FC - Floor Scrubber/Sweeper - Battery Type: AS4325

Responsible Party – Contact Information:

Nilfisk Canada Company
240 Superior Boulevard
Mississauga
Ontario
L5T 2L2
Canada

www.nilfisk.com

IC Compliance Statement

This device complies with Industry Canada ICES-002. Operation is subject to the following two conditions:
(1) This device may not cause harmful interference, and (2) this device must accept any interference received, including interference that may cause undesired operation.

Mississauga
Nov 22, 2019

A handwritten signature in black ink, appearing to read "Surtel", is written over a light grey rectangular background.

Steven Surtel
General Manager

TABLE OF CONTENTS

ENGLISH	INSTRUCTION FOR USE.....	1-25
FRANÇAIS	MANUEL UTILISATEUR.....	26-50
ESPAÑOL	INSTRUCCIONES DE USO.....	51-75
PARTS LIST	76-98

TABLE OF CONTENTS

INTRODUCTION	2
GUIDE PURPOSE AND CONTENTS	2
HOW TO KEEP THIS INSTRUCTION FOR USE	2
DECLARATION OF CONFORMITY	2
ACCESSORIES AND MAINTENANCE	2
CHANGE AND IMPROVEMENT	2
SCOPE OF APPLICATION	2
MACHINE IDENTIFICATION DATA	2
TRANSPORT AND UNPACKING	3
 SAFETY	 3
VISIBLE SYMBOLS ON THE MACHINE	3
SYMBOLS THAT APPEAR ON THE INSTRUCTION FOR USE.....	3
GENERAL SAFETY INSTRUCTION	4
 MACHINE DESCRIPTION	 6
MACHINE STRUCTURE (as shown in Figure 1).....	6
CONTROL PANEL (as shown in Figure 2)	7
DISPLAY WINDOW OF CHARGER INDICATON LIGHT (as shown in Figure 2).....	7
MACHINE SIZE	8
TECHNICAL PARAMETERS.....	9
WIRING DIAGRAM.....	10
 OPERATING GUIDE	 11
BATTERY CHECK/SETTING ON A NEW MACHINE	11
BATTERY INSTALLATION AND BATTERY TYPESETTING (WET OR GEL/ AGM).....	12
BRUSH/PAD-HOLDER INSTALLATION AND REMOVAL.....	14
SQUEEGEE ASSEMBLE INSTALLATION AND REMOVAL	15
SOLUTION OR WASHING WATER TANK FILLING.....	16
MACHINE START AND STOP	16
MACHINE OPERATION (SCRUBBING AND DRYING).....	17
TANK EMPTYING.....	18
AFTER USING THE MACHINE	18
MACHINE LONG INACTIVITY	19
FIRST PERIOD OF USE.....	19
 MAINTENANCE	 19
SCHEDULED MAINTENANCE TABLE.....	19
BATTERY CHARGING	20
BRUSH/PAD CLEANING	21
SOLUTION FILTER CLEANING.....	22
SQUEEGEE CLEANING.....	22
SQUEEGEE BLADE CHECK AND REPLACEMENT	23
TANK AND VACUUM GRID WITH FLOAT CLEANING, AND COVER GASKET CHECK	23
ACCESSORIES/OPTIONS	24
 TROUBLESHOOTING	 25
 SCRAPPING	 25

INTRODUCTION



NOTE

The numbers in brackets refer to the components shown in Machine Description chapter.

GUIDE PURPOSE AND CONTENTS

The purpose of this instruction for use is to provide the operator with all basic information and technical characteristics, operation, machine inactivity, spare parts and safety conditions etc.

Before performing any procedure on the machine, the operators and qualified technicians must read the Instruction for Use manual. Contact our company in case of doubts concerning the interpretation of the instructions or for any further information.

HOW TO KEEP THIS INSTRUCTION FOR USE

The instruction for use must be kept near the machine, inside an adequate case, away from liquids and other substances that can cause any damage to it.

DECLARATION OF CONFORMITY

Declaration of Conformity is supplied with the machine and certifies machine conformity with the law in force.



NOTE

The copies of the original declaration of conformity are provided together with the machine documentation.

ACCESSORIES AND MAINTENANCE

All the necessary operation, maintenance and repair procedures must be made by qualified personnel, our company appointed repair center. ONLY original or approved spare parts and accessories can be used.

Contact our company customer service for any service or purchase of accessories or spare parts if necessary.

CHANGE AND IMPROVEMENT

We are committed to continuous improvement of our products, and the company reserves the right to machine changes and improvements without additional information.

SCOPE OF APPLICATION

The scrubber applies to commercial and industrial use. It is suitable for cleaning smooth and solid floor, operated by a qualified person in safe circumstances. It is not suitable for outdoor use or on carpet or rough floor cleaning.

MACHINE IDENTIFICATION DATA

The machine serial number and model name are marked on the serial label.

This information is useful. Use the following table to write down the machine identification data when requiring spare parts for the machine.

MACHINE MODEL
MACHINE SERIAL NUMBER.....

TRANSPORT AND UNPACKING

When the carrier delivers the machine, make sure the packaging and machine are both whole and undamaged. If there is any damage, inform the carrier before accepting the goods, and reserve the right to compensation for the damage.

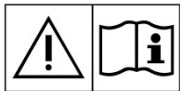
Follow the instructions on packaging strictly when unpacking the machine.

Check the package to ensure following items are included:

1. Technical documentation including instruction for use, and Parts list.
2. Battery connection components.
3. Electronic battery charger manual (if installed) (*)

SAFETY

The following symbols indicate potentially dangerous situations. Always read this information carefully and take all necessary precautions to safeguard people and property.

VISIBLE SYMBOLS ON THE MACHINE**WARNING!**

Read all the instructions carefully before performing any operation on the machine.

**WARNING!**

Do not wash the machine with direct or pressurized water jets.

**WARNING!**

Do not use the machine on slopes with a gradient exceeding that is defined in the specifications section.

SYMBOLS THAT APPEAR ON THE INSTRUCTION FOR USE**DANGER!**

It indicates a dangerous situation with risk of death for the operator.

**WARNING!**

It indicates a potential risk of injury for people.

**CAUTION!**

It indicates a caution, or a remark related to important or useful functions. Pay attention to the paragraphs marked by this symbol.

**NOTE**

It indicates a remark related to important or useful functions.

**CONSULTATION**

It indicates the necessity to refer to the Instruction for Use manual before performing any procedure.

GENERAL SAFETY INSTRUCTION

Specific warnings and cautions to inform about potential damages to people and machine are shown below.

**DANGER!**

- This machine must be operated by trained and authorized personnel according to guidance of the manual.
- Before performing any cleaning, maintenance, repair or replacement procedure, read all the instructions carefully, ensure to turn the machine OFF and disconnect the battery connector.
- Do not operate the machine near toxic, dangerous, flammable and/or explosive powders, liquids or vapour. This machine is not suitable for collecting dangerous powders.
- Do not wear jewelry when working near electrical components.
- Do not work under the lifted machine without supporting it with safety stands.
- When using lead (WET) batteries, they may emit inflammable gas under normal use, must keep sparks, flames, smoking materials and radiating, illuminating and burning items away from the batteries.
- When charging lead (WET) batteries, they may emit hydrogen gas which may cause explosive. Must ensure the charging environment is well ventilated and away from potential flames.

**WARNING!**

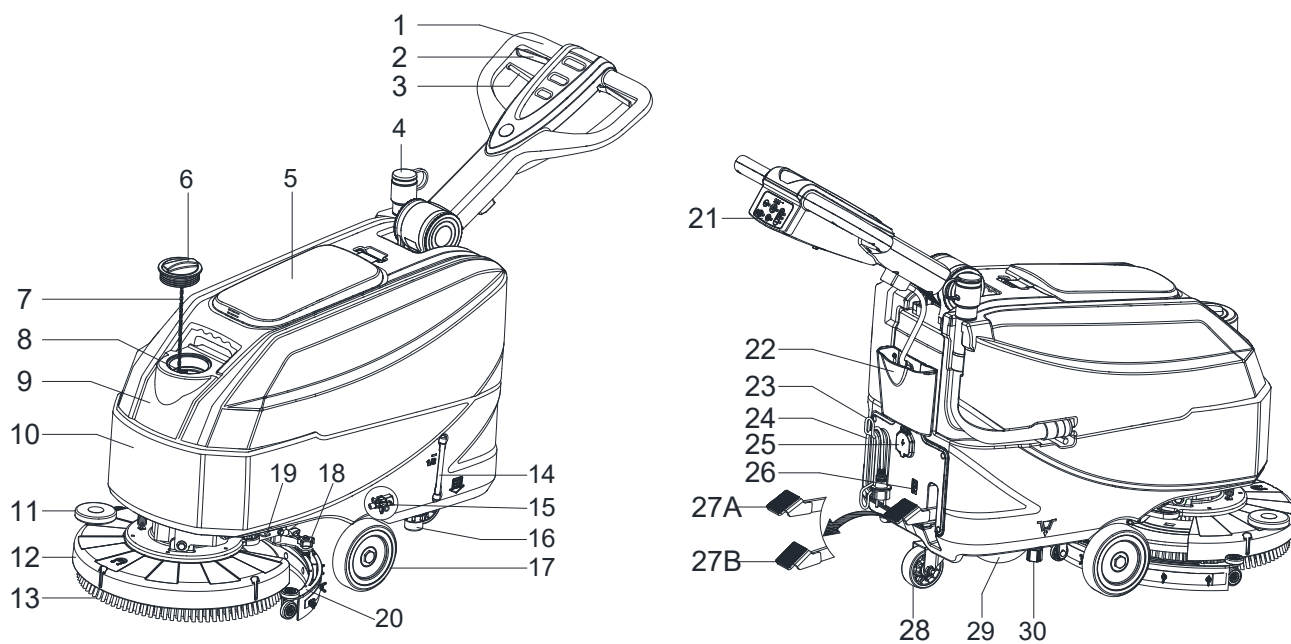
- This machine is intended for **COMMERCIAL USE**, for example in hotels, schools, hospitals, factories, shops, offices and rental businesses.
- Machines left unattended shall be secured against unintentional movement.
- In order to prevent unauthorized use of the machine, the power source shall be switched off or locked, for example by removing the key of the main switch or the ignition key.
- Check the machine carefully before each use. Ensure that all the components have been well assembled before use. Loose components may cause damage to people and properties.
- Before using the battery charger, ensure that the values of frequency and voltage indicated on the machine serial number label match those of mains.
- Never move the machine by pulling the battery charger cable. Do not allow the charging cable to become damaged by a door closing, or sharp corners. Do not run the machine over the battery charger cable. Keep the battery charger cable away from heated surfaces.
- Do not charge the batteries if the battery charger cable or the plug are damaged.
- To reduce the risk of fire, electric shock, or injury, make sure machine is off before leaving.
- Use or store the machine indoors in dry conditions, it is not allowed for outdoor use.
- The machine storage and working temperature must be between 0 °C and +40 °C, the humidity of air must be between 30% - 95%.
- Do not use the machine on slopes with a gradient exceeding the specifications shown.
- When using and handling floor cleaning detergents, follow the instructions on the labels of the detergent bottles and wear suitable gloves and other protective devices.
- Use brushes and pads supplied with the machine or defined in the manual. Using other brushes or pads could reduce safety.
- In case of machine malfunctions, ensure that these are not due to lack of maintenance. If necessary, request assistance from the authorized personnel or from an authorized Service Center.
- Take all necessary precautions to prevent hair, jewelry, and loose clothes from being caught by the machine moving parts.
- Do not use the machine in particularly dusty areas.
- Do not wash the machine with direct or pressured water jets, or with corrosive substances.
- Do not bump into shelves or scaffoldings, especially where there is a risk of falling objects.
- Do not lean liquid containers on the machine, use the relevant can holder.
- To avoid damaging the floor, do not allow the brush/pad to operate while the machine is stationary.
- In case of fire, use a dry powder fire extinguisher. Do not use liquid fire extinguishers.

- **Do not remove or modify the machine stickers.**
- **Do not tamper with the machine safety guards and follow the scheduled maintenance instructions closely.**
- **Pay attention during machine transportation when temperature is below freezing point. The water in the recovery tank and in the hoses could freeze and cause serious damage to the machine.**
- **If spare parts need be replaced, order ORIGINAL spare parts from an Authorized Dealers or Retailers.**
- **Return the machine to the Service Center if it doesn't work as usual or it is in condition such as damaged, placed outdoors, dropped into water.**
- **To ensure machine proper and safe operation, the scheduled maintenance shown in the relevant chapter of this Manual, must be performed by the authorized personnel or an authorized Service Center.**
- **The machine must be properly disposed of, due to the presence of toxic-harmful materials (batteries, etc.), which are subject to standards that require disposal in special centers (see Scrapping chapter).**
- **This machine is a cleaning tool only, not for, and is not intended for any other purpose.**
- **Always keep the openings free from dust, hairs and any other foreign material which could reduce the air flow. Do not use the machine if the openings are clogged.**
- **Use the machine only where proper lighting is provided.**
- **This machine is not intended for use by persons (including children) with reduced physical, sensory or mental capabilities, or lack of experience and knowledge.**
- **Close attention is necessary when used near children.**
- **Children should be supervised to ensure that they do not play with the machine.**
- **While using this machine, take care not to cause damage to people or objects.**
- **Cleaning and user maintenance shall not be made by children without supervision.**
- **Operators shall be adequately instructed on the use of these machines.**

MACHINE DESCRIPTION**MACHINE STRUCTURE (as shown in Figure 1)**

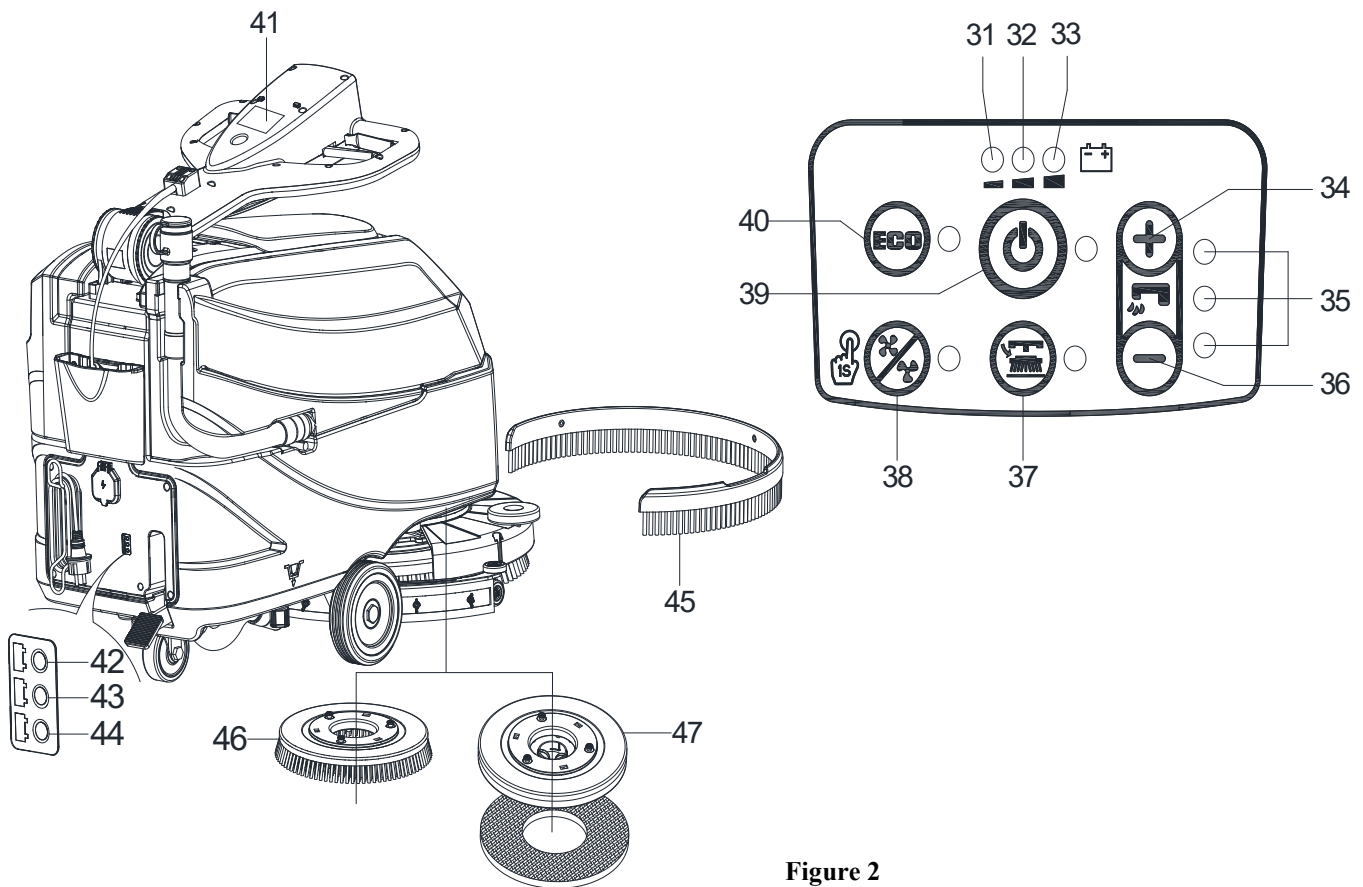
1. Handlebar
2. Safety switch lever
3. Handlebar adjusting lever
4. Recovery water drain hose
5. Recovery tank lid
6. Fresh water cover
7. Cover retention chain
8. Filling hose neck
9. Recovery tank
10. Solution tank
11. Brush deck bumper wheel
12. Brush/pad-holder deck
13. Brush/pad-holder
14. Solution level hose
15. Solenoid valve
16. Solution filter
17. Front wheels
18. Squeegee knobs
19. Squeegee lifting handle
20. Squeegee assembly
21. Control panel
22. Accessory parts box (*)
23. Battery charge cable holder
24. Battery charge cable
25. Security cover of charging jack
26. Charging signal lights
27. Deck lifting/lowering pedal
 - a) Pedal position when deck is lowered
 - b) Pedal position when deck is lifted
28. Caster wheel
29. Recovery water drain hose
30. Outlet cover

(*) : Optional

**Figure 1**

CONTROL PANEL (as shown in Figure 2)

- | | |
|--|--|
| 31. Discharged battery warning light (red) | 41. Serial number plate/technical data |
| 32. Semi-discharged battery warning light (yellow) | 42. Charging red LED |
| 33. Charged battery warning light (green) | 43. Charging yellow LED |
| 34. Flow increase switch | 44. Charging green LED |
| 35. Solution flow indicator | 45. Skirt (*) |
| 36. Flow decrease switch | 46. Brush |
| 37. Brush/pad-holder release switch | 47. Pad-holder (*) |
| 38. Normal vacuum motor model | |
| 39. One button starting | |
| 40. ECO mode | (*): Optional |

**Figure 2****DISPLAY WINDOW OF CHARGER INDICATON LIGHT (as shown in Figure 2)**

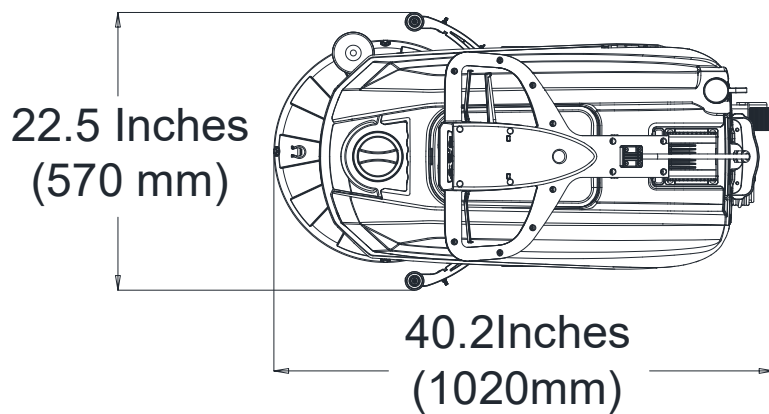
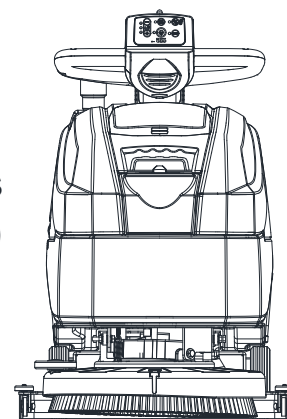
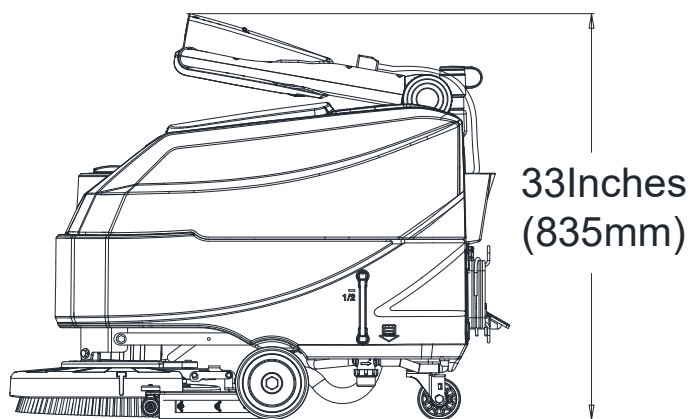
1. At the beginning of charging, the red LED (42) of charger is normally on. It is the first stage of charging.
2. After charging some time, the red LED (42) turns off, the yellow LED (43) turns on, this is the second stage of charging.
3. After the charging is finished, the yellow LED (43) is off, the green LED (44) turns on to indicate that the battery is fully charged.

**NOTE**

When charging, if the yellow LED (48) of charger is flashing, it may be caused by: Battery and charger does not match, battery is not connected well, or output is short-circuited.

The red LED of charger flashing may be caused by charger internal short circuit.

MACHINE SIZE

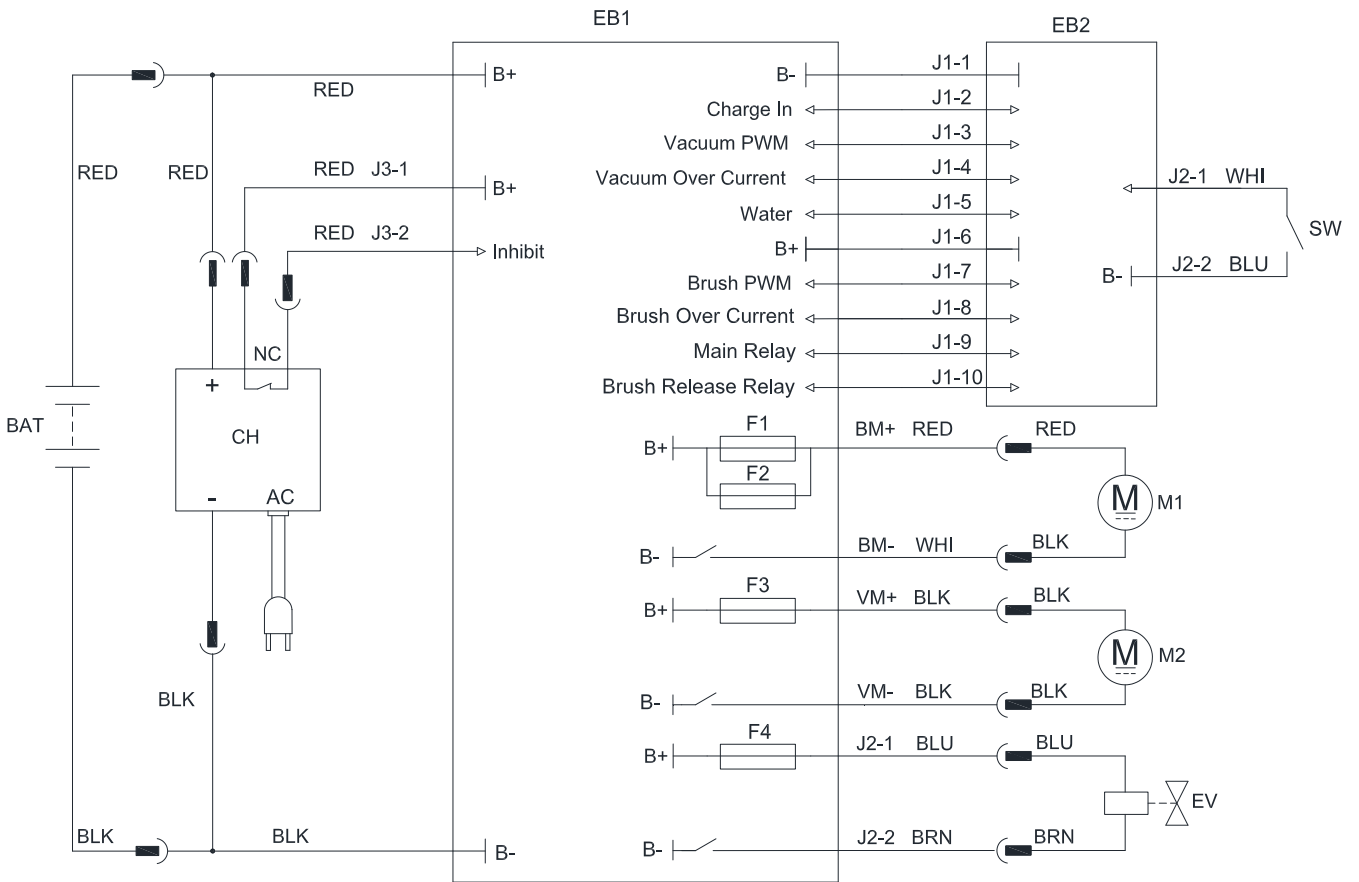


TECHNICAL PARAMETERS

Parameter Type	Units	Model
		AS4325B
Solution tank capacity	L / Gal	25 L / 6.6 Gal.
Recovery tank capacity	L / Gal	25 L / 6.6 Gal.
Machine Length	mm/Inches	1020 mm / 40.1 Inches
Machine width with squeegee	mm/Inches	570 mm / 22.4 Inches
Machine width without squeegee	mm/Inches	485 mm / 19.1 Inches
Machine Height (without handle)	mm/Inches	647 mm / 25.5 Inches
Machine Height (with vertical handle)	mm/Inches	1182 mm / 46.5 Inches
Working width	mm/Inches	432 mm / 17 Inches
Driving wheel diameter	mm/Inches	153 mm / 6 Inches
Rear wheel diameter	mm/Inches	89 mm / 3.5 Inches
Brush/Pad diameter	mm/Inches	432 mm / 17 Inches
Brush/Pad pressure (max)	Kg/Lbs.	19 Kg / 41.8 Lbs
Solution Flow (max) per setting	L / Gal per minute	(0.59/0.69/1.11/1.68) Liters (0.16/0.18/0.29/0.44) Gallons
Sound pressure level	dB (A)	69 ± 3 dB (A)
Sound pressure level in ECO mode or in silent mode	dB (A)	65 ± 3 dB (A)
Handle Vibration Level (max)	m/s ²	< 2.5 m/s ²
Climbing capacity (max)	% grade	2%
Vacuum motor power	Watt / H.P.	300 W / 0.4 HP
Vacuum capacity	mm/In of H ₂ O	900 mm / 35.4 In of H ₂ O
Vacuum capacity in ECO mode or in silent mode	mm/In of H ₂ O	650mm / 25.6 In of H ₂ O
Brush motor power	Watt / H.P.	400 Watt / 0.54 HP
Brush speed in normal mode	RPM	140 RPM
Brush speed in ECO mode	RPM	100 RPM
IP protection class	IP	IP24
Battery Compartment Size (L x W x H)	mm/Inches	(265 x 350 x 230) mm / 10.4 x 13.8 x 9.1 Inches
Voltage	DC	24 V
Batteries (*)	Ah	85Ah C20 / 67Ah C5
Battery run time (standard batteries) (*)	Hour	Up to 4 hours
On-Board Charger (*)	Volts/Amps	24V 10A
Productivity (max)	m ² /h	12,000 sq. ft./hr (1115 m ² /h)
Machine weight with empty tanks (without batteries)	Kg/Lbs.	58 Kg / 128 Lbs.
Gross Vehicle Weight (GVW)	Kg/Lbs.	134 Kg / 295 Lbs.
Shipping Weight	Kg/Lbs.	137 Kg / 302 Lbs.
Packing dimensions (L x W x H)	mm/Inches	(1130 x 730 x 1040 mm) / (44.5 x 28.7 x 41 Inches)

(*) : Optional

WIRING DIAGRAM



COMPONENTS		COMPONENTS		Comment	
BAT	24V Battery	SW	Handle Switch	1	RED-Red
CH	Battery Charger	F1	Brush Motor Fuse	2	BLK-Black
EB1	Control Board	F2	Brush Motor Fuse	3	BRN-Brown
EB2	Dashboard	F3	Vacuum Motor Fuse	4	WHI-white
M1	Brush Motor	F4	Solution Valve Fuse	5	BLU-Blue
M2	Vacuum Motor				
EV	Solution Valve				

OPERATING GUIDE

**WARNING!**

On some points of the machine there are some adhesive plates indicating:

- DANGER!
- WARNING!
- CAUTION!
- CONSULTATION

While reading this Manual, the operator must pay particular attention to the symbols shown on the plates. Do not cover these plates for any reason and immediately replace them if damaged.

BATTERY CHECK/SETTING ON A NEW MACHINE

**WARNING!**

The electric components of the machine can be seriously damaged if the batteries are either improperly installed or connected. The batteries must be installed by qualified personnel only. Set the function of the electronic board and the built-in battery charger according to the type of batteries used (WET or GEL/AGM batteries). Check the batteries for damage before installation. Disconnect the battery connector and the battery charger plug. Handle the batteries with great care. Install the battery terminal protection caps supplied with the machine.

**NOTE**

The machine requires two 12 V batteries, connected according to the diagram (Figure 3).

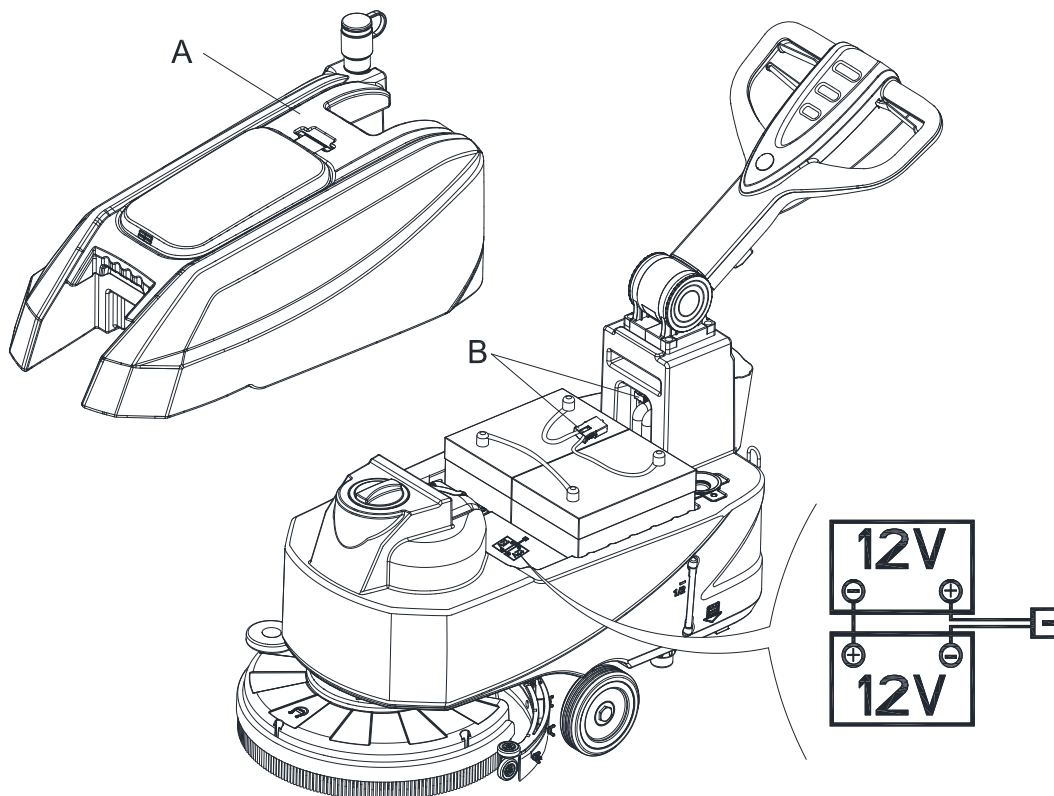


Figure 3

The machine can be supplied in one of the following modes:

A) Batteries (WET or GEL/ AGM) already installed and charged

1. Check that the batteries are connected to the machine with the connector (B, Figure 3).
2. Pressing the switch (39 Figure 2). If the green warning light (33) turns on, the batteries are fully charged. If the yellow (32) or red warning light (31) turns on, the batteries must be charged (see the procedure in Maintenance chapter).

B) Without batteries

1. Buy appropriate batteries (see the Technical Data paragraph).
2. For battery choice and installation, apply to qualified battery Retailers.
3. Set the machine and the battery charger according to the type of batteries (WET or GEL/ AGM), as shown in the next paragraph.

BATTERY INSTALLATION AND BATTERY TYPESETTING (WET OR GEL/ AGM)

According to the type of batteries (WET or GEL/AGM), set the machine and electronic board of the battery charger as follows:

Machine setting

When One-button Start S3 is turned off, press water volume + and - buttons (S5 and S6) at the same time, 0.5 seconds later, LED1, LED2 and LED3 are all lit up to enter the battery mode setting:

1. Then press water volume + or – to switch between “WET”, “GEL/AMG” and “DIS-EV”. In the the mode of “WET”, Red light is on. And “GEL/AGM”, light is green. “DIS-EV”, light is yellow.
2. Press One-button Start to finish setting and exit, turn off machine to store and update all battery setting, when it’s on, it will work as setting.



NOTE

Default battery type is GEL/AGM.

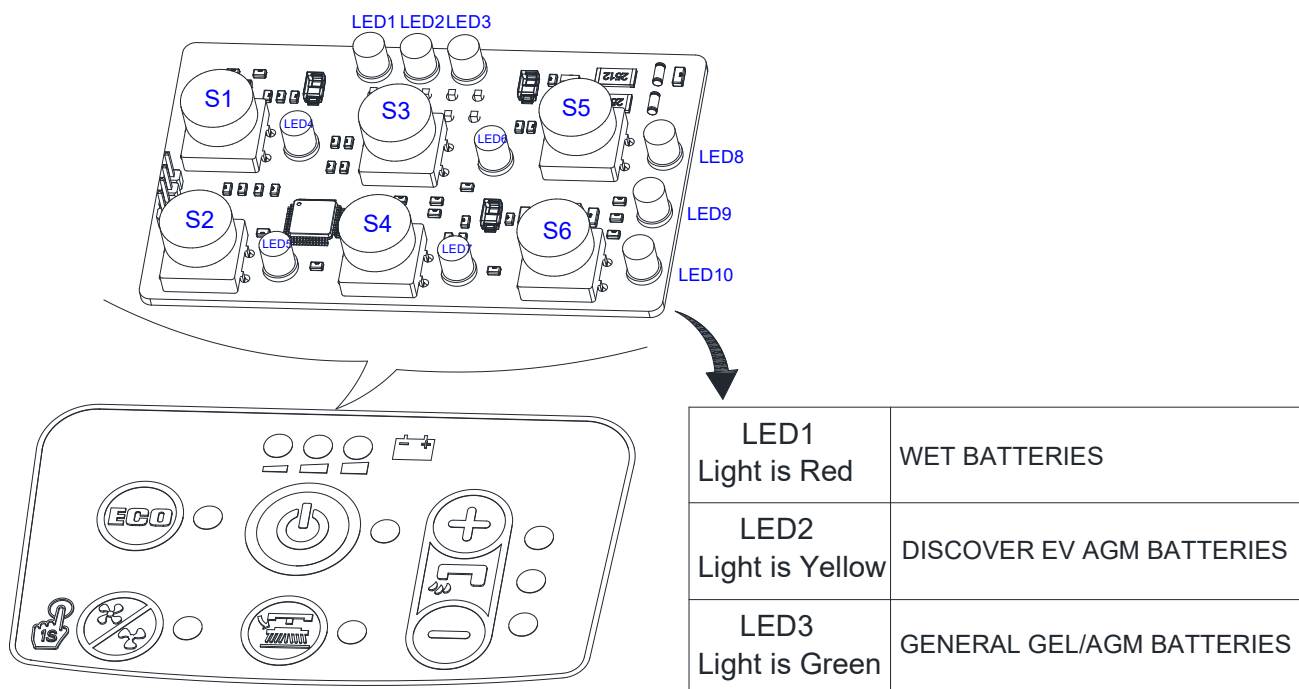


Figure 4

Battery installation

3. Open the recovery tank cover (5, Figure 1) and check that the recovery tank (9, Figure 1) is empty; otherwise empty it with the drain hose. (4, Figure 1)
4. Close the recovery tank cover (5, Figure 1).
5. Move the recovery tank kit (A, Figure 3) carefully.
6. The machine is supplied with cables suitable to install 2X12V batteries. Carefully put the batteries into the compartment, then install them correctly.
7. Route and install the battery cable as shown in (Figure3), then carefully tighten the nut on each battery terminal.
8. Place the protection cap on each terminal, then connect the battery connector (B, Figure 3).
9. Carefully put it back the recovery tank kit (A, Figure 3).

Battery charging

10. Charge the batteries. (See procedures in maintenance chapter).



CAUTION!

Cut off all the power of the machine before perform the following procedure!

Battery charger setting

11. Remove the screws (A, B, C, Figure 4.1).
12. Open the charger and find the sw1 (D, Figure 4.1).
13. Set the switches as the table of Figure 4.1.
14. Install the screws (A, B, C, Figure 4.1) after setting complete.

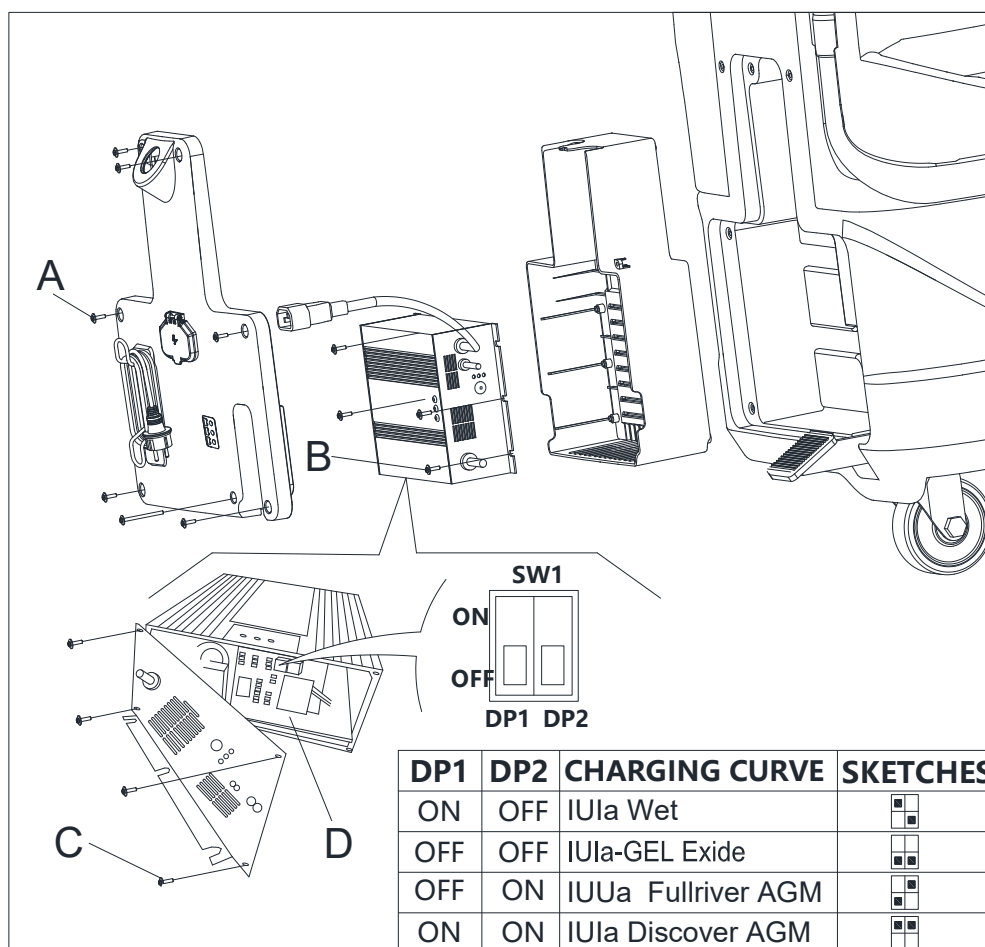


Figure 4.1

BRUSH/PAD-HOLDER INSTALLATION AND REMOVAL

**NOTE**

Install either the brush (A, Figure 5) or pad-holder (B and C, Figure 5) according to the type of floor to be cleaned.

**CAUTION!**

Before installation or removal of brush or pad-holder, make sure all the switches on machine are in off position and lifting up the squeegee and the brush/pad-holder deck from the floor. The operator must be equipped with suitable personnel protection devices such as gloves to reduce the risk of accidents.

Proceed as following:

1. Shut off the power switch (39, Figure 2).
2. Lift the deck by pressing the pedal (27, Figure 1).
3. Place the brushes (A, Figure 5) or the pad-holder (B, Figure 5) under the deck (12, Figure 1).
4. Lower the deck on the brushes/pad-holders by pressing the pedal (27, Figure 1).
5. Press the start switch (39, Figure 2).
6. Press one of the Brush/forward gear safety switch lever (2, Figure 1) to engage the brush/pad-holder, then release it. If necessary, repeat the procedure until the brushes/pad-holders are engaged.
7. If Step No.6 above proves to be difficult, use the manual method by turning the brush/pad-holder in the direction opposite to the normal turning direction, and it can be taken off. (as shown in Figure 5)

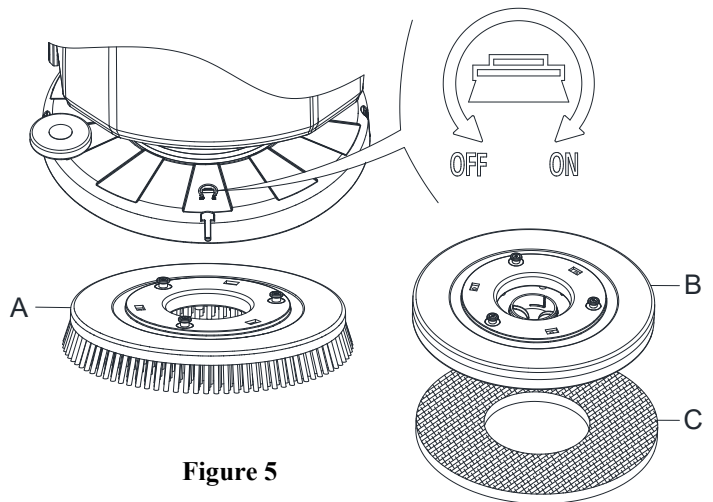


Figure 5

**WARNING!**

To engage the brush/pad-holder press the safety switch lever (2, Figure 1) which turns on the brush/pad-holder motor.

8. To remove the brush/pad-holder lift the deck by pressing the pedal (27, Figure 1), then press the switch (37, Figure 2), the brush/pad-holder will be removed.

SQUEEGEE ASSEMBLE INSTALLATION AND REMOVAL

**CAUTION!**

It is advisable to wear protective gloves when installation and removal the squeegee assemble because there may be sharp debris.

1. Push the machine to a level floor.
2. Ensure that the machine is off.
3. Lower the brush/pad-holder deck (12, Figure 1) by lifting the pedal (36), Brush on the floor.
4. Place squeegee in the place between brush deck and front wheel.
5. Fix stud A to the openg B, then fix another screw C to the open D, fasten squeegee knob and connect recovery water drain hose F to the connector E (Figure 6).
6. Disconnect the squeegee in the reverse order of disassembly.

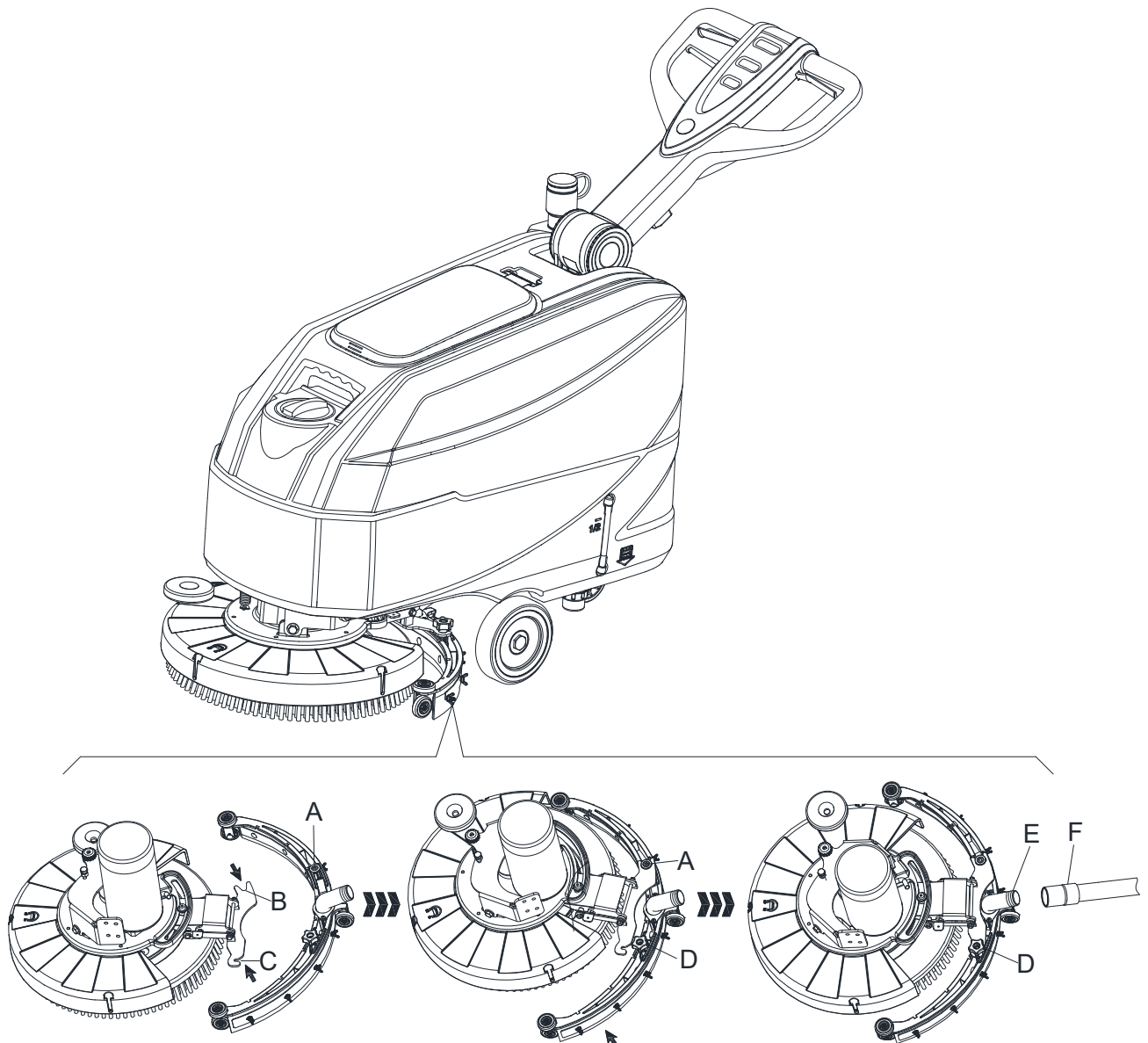


Figure 6

SOLUTION OR WASHING WATER TANK FILLING

1. Open the water inlet cover (A, Figure 7).
2. Fill with water or solution suitable for work performance.
The solution temperature must not exceed +104°F (+40°C).
3. Do not overfill the tank, refer to water level indicator (B, Figure 7) for the water volume.

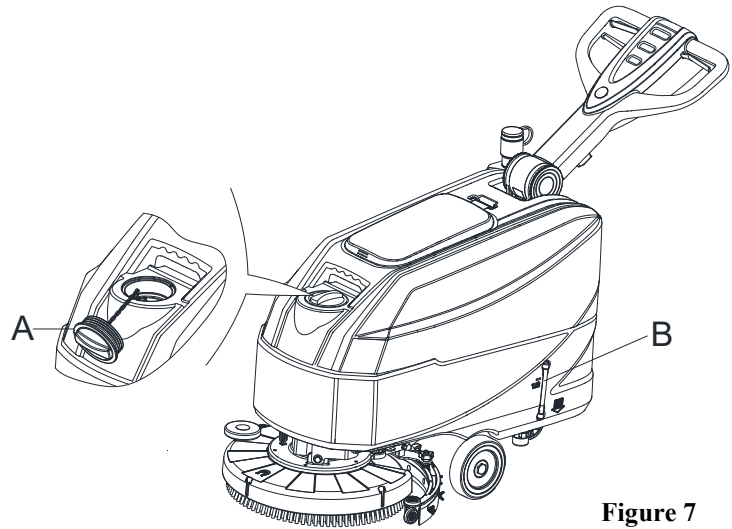


Figure 7



WARNING!

Use only low-foam and non-flammable detergents, intended for automatic scrubber applications.

MACHINE START AND STOP

Starting the machine

1. Prepare the machine as shown in the previous paragraph.
2. Push the machine to the area to be cleaned, by pushing it with the hands on the handlebar (I, Figure 8).
3. Lower the brush/pad-holder deck (M, Figure 8) and the squeegee (L) by lifting the pedal (K).
4. Press the start switch (G, Figure 8). Check that the green warning light (C) turns on (charged battery). If the yellow (B) or red warning light (A) turns on, Shutoff the power switch (G, Figure 8) and charge the batteries (see the procedure in Maintenance chapter).
5. Press the washing water flow control switches (D, Figure 8) as necessary, depending on the type of cleaning to be performed.
6. Start cleaning by pushing the machine with the hands on the handlebar (I) and pressing the safety switch lever (J).

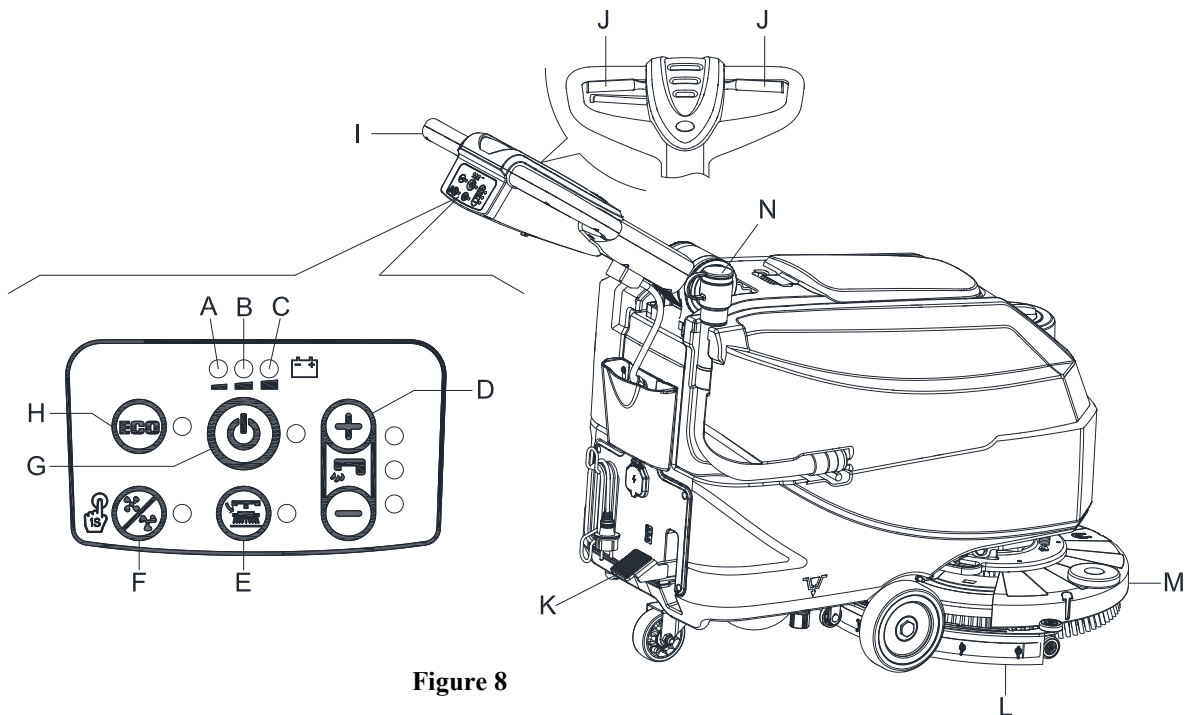


Figure 8

**NOTE**

To move the machine forward, press either the left or right safety switch lever (J, Figure 8) or both.

- If necessary, press the handlebar adjusting lever (3, Figure 1) to adjusting the handlebar height.

Stopping the machine

- Stop the machine by using the handlebar (I).
- Stop the brushes and the vacuum system by pressing the switch (G). The vacuum system stops after a few seconds.
- Lift the brush/pad-holder deck(M) and the squeegee (L) by pressing the pedal (K).
- Make sure that the machine cannot move independently.

MACHINE OPERATION (SCRUBBING AND DRYING)

- Start the machine as shown in previous paragraphs.
- While keeping both hands on the handlebar press the safety switch lever (J, Figure 8), then manoeuvre the machine and start scrubbing/drying the floor.

**NOTE**

For correct scrubbing/drying of floors at the sides of the walls, it is Suggested to go near the walls with the right side of the machine (A and B, Figure 9) as shown in the figure.

**CAUTION!**

To avoid any damage to the floor surface, turn off the brushes/pad-holders when the machine stops in one place.

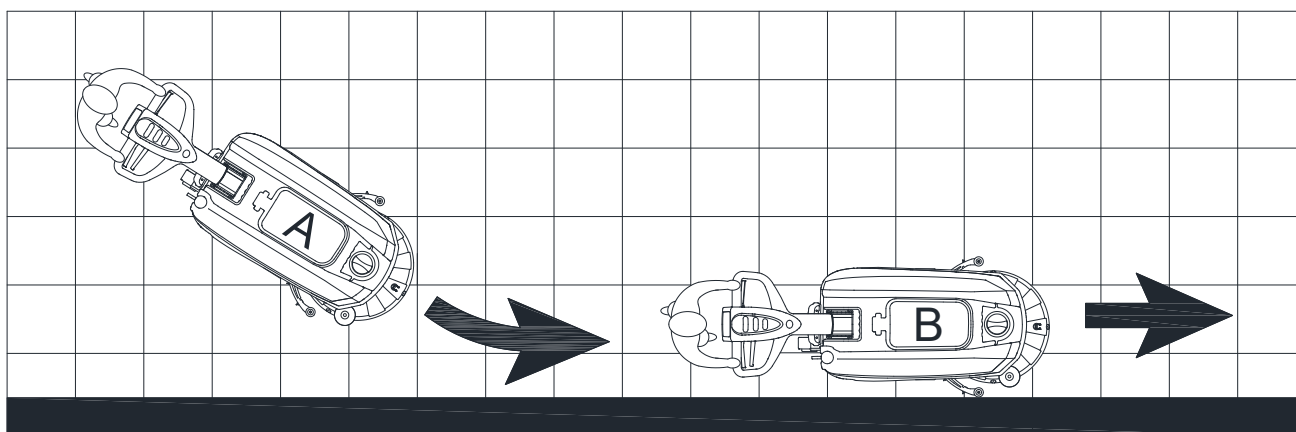


Figure 9

Battery discharge during operation

While the green warning light (C, Figure 8) stays on, the batteries allow the machine to work normally. When the green warning light (C) turns off, and the yellow warning light (B) turns on, it is advisable to charge the batteries, because the remaining charge will last for a few minutes (depending on battery characteristics and work to be performed). When the red warning light (A) turns on, batteries are fully discharged. After a few seconds, the brush/pad-holder is automatically turned off.

**CAUTION!**

Do not use the machine with discharged batteries, to avoid damaging the batteries and reducing the battery life.

TANK EMPTYING

An automatic float shut-off system (B, Figure 10) blocks the vacuum system when the recovery water tank (C) is full. The vacuum system deactivation is signaled by a sudden increase in the vacuum system motor noise frequency, also the floor has not dried.

**CAUTION!**

If the vacuum system turns off accidentally (for example, when the float is activated because of a sudden machine movement), to resume the operation: turn off the vacuum system by pressing the switch (G, Figure 8), then open the cover (A, Figure 10) and check that the float inside the grid (B) has gone down to the water level. Then close the cover (A) and turn on the vacuum system by pressing the switch (G, Figure 8).

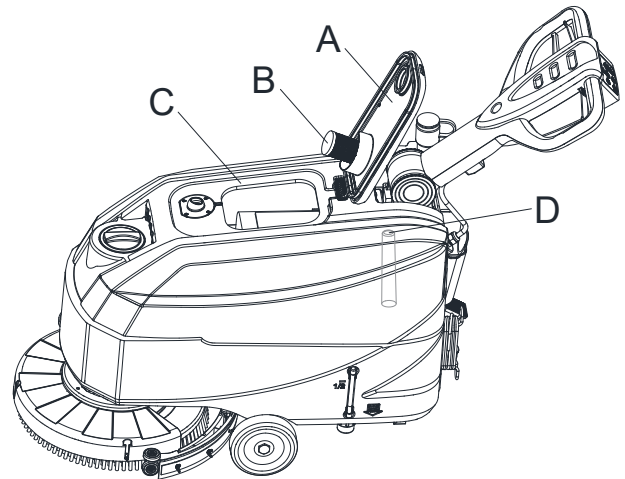


Figure 10

When the recovery water tank (C, Figure 10) is full, empty it according to the following procedure.

Recovery water tank emptying

1. Stop the machine.
2. Lift the brush/pad-holder deck (M, Figure 8) and the squeegee (L) by pressing the pedal (K).
3. Push the machine to the appointed disposal area.
4. Empty the recovery water tank with the hose (N, Figure 8). Then, rinse the recovery tank (C, Figure 10) with clean water.
5. Remove the recovery tank lid (A, Figure 10) and clean the inside of the cover and the filter floater grid (B) with clean water.
6. Check the recovery tank (D, Figure 10) whether there is foreign body jam and clean it.

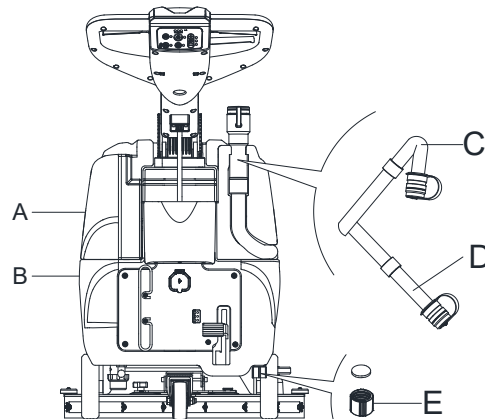


Figure 11

**CAUTION!**

When draining the wastewater, the vacuum tube for waste must be folded (C, Figure 11) and lowered to a lower position (D, Figure 11), and then open the lid of the vacuum tube for waste to drain the water. Do not make the outlet of the vacuum tube for waste face upward to drain the water vertically. This is to avoid wastewater spilling onto the operator.

7. Perform steps 1 to 4.

Solution/clean water tank emptying

8. Empty the solution tank with the outlet cover (E, Figure 11). After working, rinse the tank with clean water.

AFTER USING THE MACHINE

After working, before leaving the machine:

1. Remove the brushes/pad-holders.
2. Empty the tanks (A and B, Figure 11) as shown in the previous paragraph.
3. Perform the daily maintenance procedures (see the Maintenance chapter).
4. Store the machine in a clean and dry place, with the brushes/ pad-holders and the squeegee lifted or removed.

MACHINE LONG INACTIVITY

If the machine is not going to be used for more than 30 days, proceed as follows:

1. Perform the procedures shown in After Using the machine paragraph.
2. Disconnect the battery connector (B, Figure 3).

FIRST PERIOD OF USE

After the first 8 hours, check the machine fastening and connecting parts for proper tightening and check the visible parts for wear and leakage.

MAINTENANCE**WARNING!**

Maintenance procedures must be performed after the machine is turned off and the battery charger cable is disconnected. In addition, carefully read the safety chapters in the manual.

All scheduled or extraordinary maintenance procedures must be performed by qualified personnel or an authorized Service Center. This manual only describes the general and common maintenance procedures.

SCHEDULED MAINTENANCE TABLE**CAUTION!**

The procedure marked with (1) must be performed when the machine is used after 9 hours for the first time. The procedure marked with (2) must be done by Service Center that is qualified by our company.

Procedure	Daily, after each use	Weekly	semiannually	Yearly
Battery charging				
Squeegee cleaning				
Brush/Pad-holder cleaning				
Tank cleaning				
Tank sealing strip inspection				
Float ball filter cleaning				
Squeegee blade check and replacement				
Cleaning water filter cleaning				
Solution filter cleaning				
WET battery fluid level check				
Screw and nut tightness inspection			(1)	
Brush/Pad-holder carbon brush check or replacement				(2)
Suction motor carbon brush check or replacement				(2)

BATTERY CHARGING**Preliminary procedures**

1. Open the cover (C, Figure 12) and check that the recovery water tank (B) is empty, otherwise empty it with the drain hose (A).
2. Carefully move the recovery tank kit (B, Figure 12).
3. Connect the battery connector (D, Figure 12).
4. Carefully put it back the recovery tank kit (B, Figure 12).
5. Pushing the machine on a level floor.
6. Press the start switch (G, Figure 12).
7. For WET batteries only:
 - Check the level of electrolyte inside the batteries (F); if necessary, top up through the caps.
 - Leave all the battery caps open for next charging.
 - If necessary, clean the upper surface of the batteries (F).
8. Charge the batteries according to the following procedure.

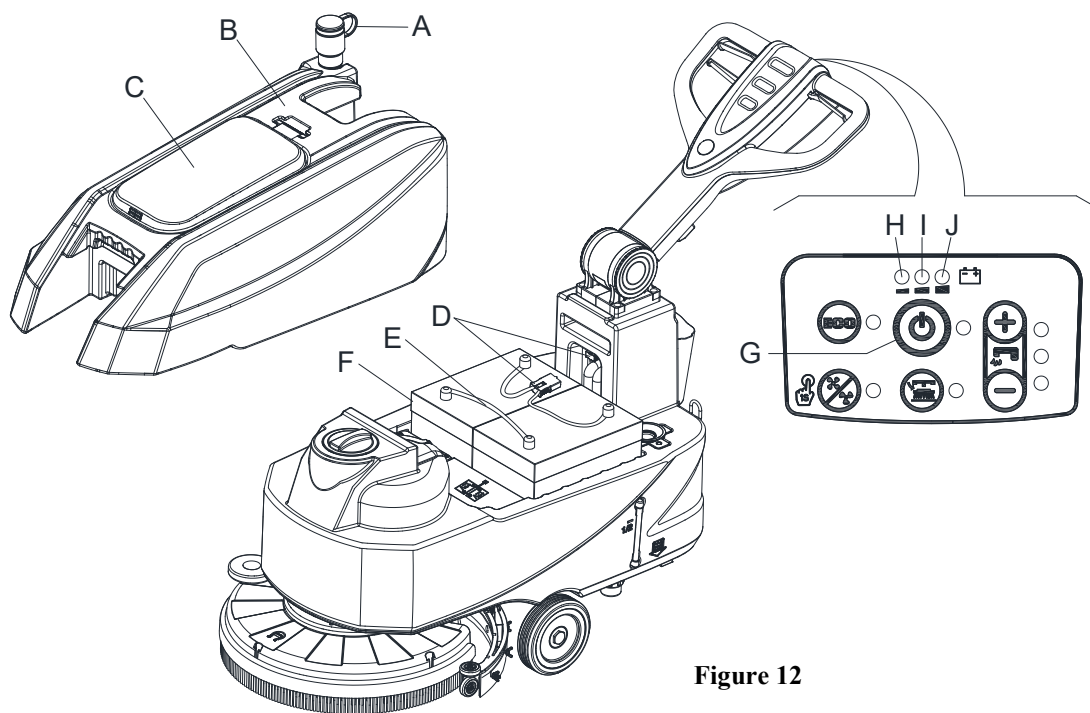


Figure 12

**NOTE**

Charge the batteries when the yellow (I, Figure 12) or red warning light (H) turns on, or when finishing cleaning.

**CAUTION!**

Keeping the batteries charged makes their life last longer.

**CAUTION!**

When the batteries are discharged, charge them as soon as possible, as that condition makes their life shorter. Check for battery charge at least once a week.

**WARNING!**

WET battery charging produces highly explosive hydrogen gas. Charge the batteries in well-ventilated areas and away from naked flames. Do not smoke while charging the batteries. Keep the tank open while charging the batteries.

**WARNING!**

Pay careful attention when charging the batteries as there may be battery fluid leakages. The battery fluid is corrosive. If it comes in contact with skin or eyes, rinse thoroughly with water and consult a physician.

Battery charging with battery charger installed on the machine

1. Connect the battery charger cable (C, Figure13) to the electrical mains (A) the electrical mains voltage and frequency must be compatible with the battery charger values shown on the machine serial number plate (41, Figure 2). When the battery charger is connected to the electrical mains, all machine functions are automatically cut off. If the red warning light (E) on the battery charger control panel stays on, the battery charger is charging the batteries.
2. When the green warning light (D) turns on, the battery charging is completed.
3. When the battery charging is completed, disconnect the battery charger cable (C) from the electrical mains (A) and wind it round its housing (B).

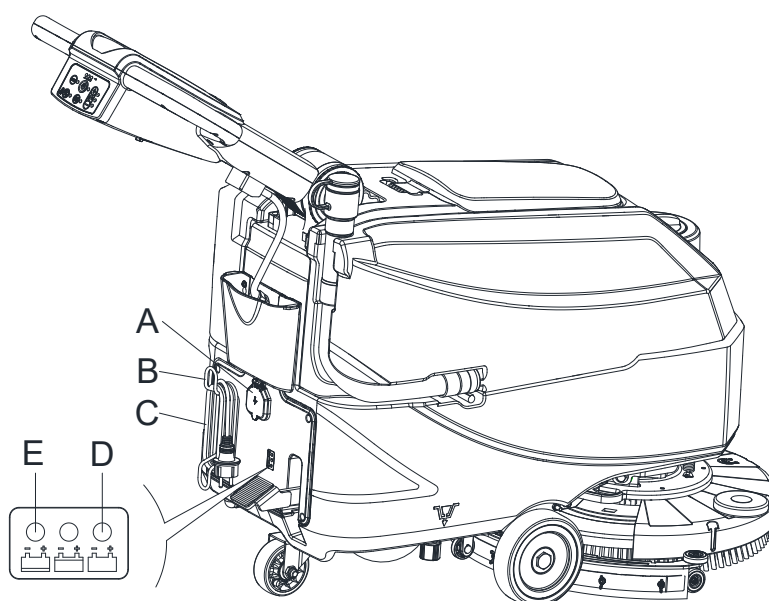


Figure 13

**NOTE**

For further information about the operation of the battery charger, see the relevant Manual.

BRUSH/PAD CLEANING**CAUTION!**

It is advisable to use protective gloves when cleaning the brush/pad because there may be sharp debris.

1. Remove the brush/pad from the machine, as shown in the Use chapter.
2. Clean and wash the brush/pad with water and detergent.
3. Check that the brushes/pads are in working condition and not excessively worn; if necessary replace them.

SOLUTION FILTER CLEANING

1. Pushing the machine on a level floor.
2. Ensure that the machine is off.
3. Emptying the solution tank (Advice).
4. Remove the cover (D, Figure 14), then remove the filter strainer (E). Clean and install them on the support (F).

**NOTE**

The filter strainer (E) must be correctly positioned on the housing (H) of the support (F).

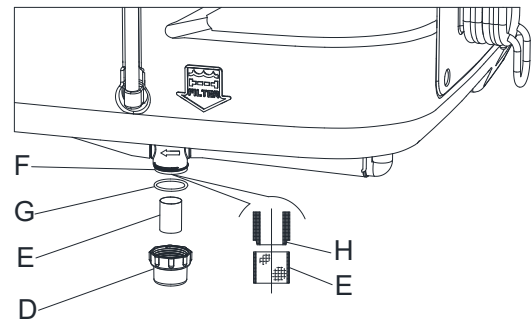


Figure 14

SQUEEGEE CLEANING**NOTE**

The squeegee must be clean and its blades must be in good conditions in order to get a good drying.

**CAUTION!**

It is advisable to wear protective gloves when cleaning the squeegee because there may be sharp debris.

1. Push the machine to a level floor.
2. Ensure that the machine is off.
3. Lower the brush/pad-holder deck (M, Figure 8) and the squeegee (L) by lifting the pedal (K).
4. Disconnect the vacuum hose (B, Figure 15) from the squeegee (C).
5. Loosen the knobs (D) and remove the squeegee (E).
6. Clean the steel or the plastic squeegee (E, Figure 15). Clean the compartments (I) and the hole (H) especially. Check the front blade (F) and the rear blade (G) for integrity, cuts and tears; if necessary replace them (see the procedure in the following paragraph).
7. Assemble the squeegee in the reverse order of disassembly.

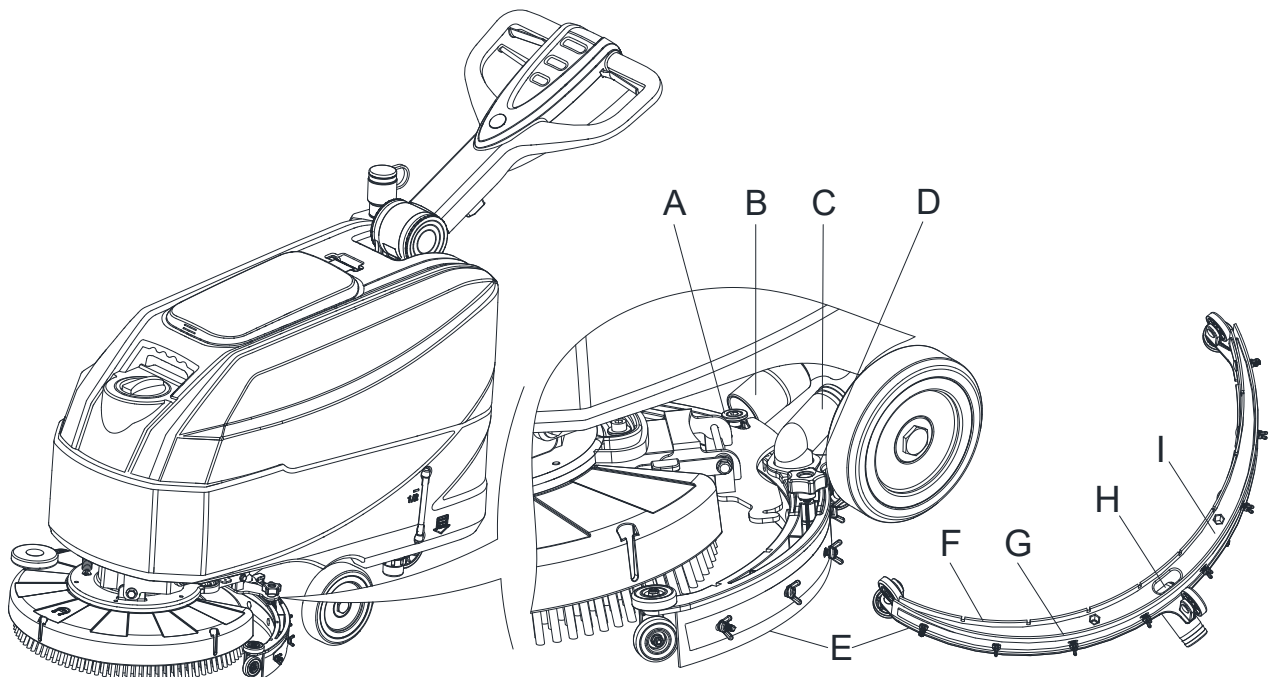
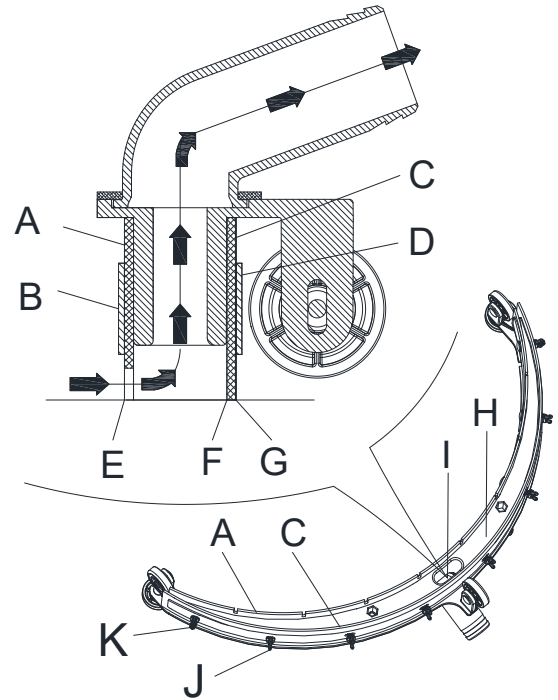


Figure 15

SQUEEGEE BLADE CHECK AND REPLACEMENT

1. Clean the steel or the plastic squeegee, as shown in the previous paragraph.
2. Check that the edges (E, Figure 16) of the front blade (A) and the edges (F) of the rear blade (C) lay down on the same level, along their length; if necessary adjust their height according to the following procedure:
 - Loosen the all wing nuts (J) and adjust the front blade (A) and rear blade (C), then tighten the all wing nuts.
3. Check the front blade (A) and rear blade (C) for wear, cuts and tears; if necessary replace them according to the following procedure. Check that the front corner (E) or the rear corner (F) is not worn; if necessary, overturn the blade to replace the worn corner with an integral one. If the other corners are worn too, replace the blade according to the following procedure:
 - Remove the all wing nuts (J) and the screw (K), remove the retaining strip (B), then replace/overturn the front blade (A). Assemble the blade in the reverse order of disassembly.
 - Remove the all wing nuts (J) and the screw (K), remove the retaining strip (D), then replace/overturn the rear blade (C). Assemble the blade in the reverse order of disassembly. After the blade replacement (or overturning), assemble the squeegee as shown in the previous step.
4. Install the squeegee (E, Figure 15) and screw down the knobs (D, Figure 15).
5. Connect the vacuum hose (B, Figure 15) to the squeegee (C, Figure 15)

**Figure 16****TANK AND VACUUM GRID WITH FLOAT CLEANING, AND COVER GASKET CHECK**

1. Push the machine to a level floor.
2. Ensure that the machine is off.
3. Turn the recovery tank lid (A, Figure 17) 90 degrees position where it can be taken off from the recovery tank, and then take out the float ball filter (B) from the recovery tank lid.
4. Clean the recovery tank lid (A), recovery tank (C), clean solution tank (D) and the float ball filter (B). Empty the recovery tank with the drain hose (D, Figure 11).
5. Install the float ball filter (B) and the recovery tank lid (A).
6. Inspect the integrity of the tank sealing strip.

**NOTE**

The tank sealing strip (E) produces the vacuum inside the tank when the vacuum motor works. The tank must be sealed so it can effectively absorb the water from the ground to recovery tank.

7. Check whether the contact surface of sealing strip (E) has integrity and sealing is sufficient. If necessary, take the sealing strip of the tank out of the groove (F) and replace it. Assemble the new sealing strip as shown in (Figure 17), the joint should be back in the middle area.
8. Close the recovery tank lid (A).

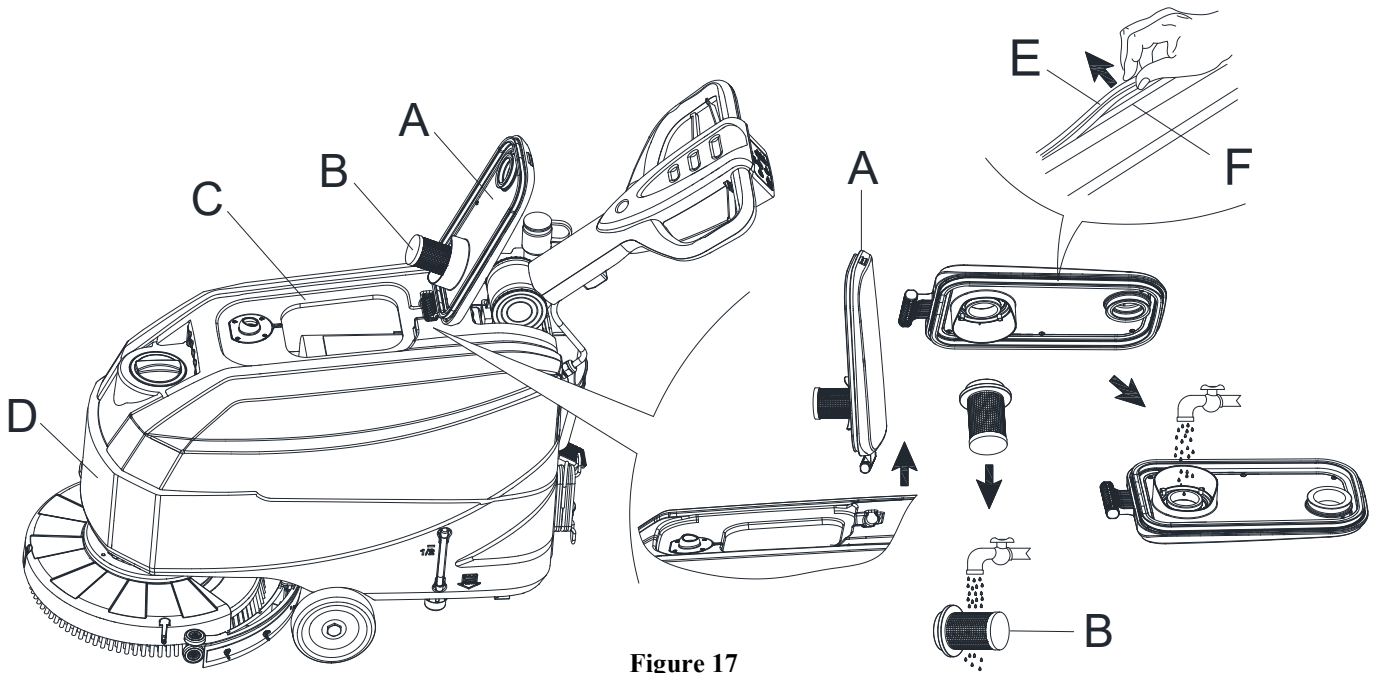


Figure 17

ACCESSORIES/OPTIONS

In addition to the standard components, the machine can be equipped with the following accessories/options, according to the machine specific use:

For further information concerning the above-mentioned optional accessories, contact an authorized Retailer.

ACCESSORIES/OPTIONS

See "Parts List" section

1. GEL/AGM batteries
2. Pads of different materials
3. Brush of different materials
4. On-board charger
5. Squeegee blades of different materials

TROUBLESHOOTING

Trouble	Probable causes	Remedy
The motors do not work; no warning light turns on.	The battery connector is disconnected.	Connect the battery connector.
	The batteries are completely discharged.	Charge the batteries.
The 3 battery charge indicators are flashing simultaneously.	Brush motor overload.	Use less aggressive brushes
	Foreign materials (tangled threads, etc.) which may prevent the brush from rotating.	Clean the brush hub.
The brushes do not work, the red warning light is on.	The batteries are discharged.	Charge the batteries.
The recovery water vacuuming is insufficient.	The recovery water tank is full.	Empty the tank.
	The hose is disconnected from the squeegee.	Connect.
	The vacuum grid is clogged or the float is stuck closed.	Clean the grid or check the float.
	The squeegee is dirty or the squeegee blades are worn or damaged.	Clean and check the squeegee.
	The tank cover is not properly closed, or the gasket is damaged, or the Bend tube is clogged.	Close the cover correctly, or replace the gasket or clean the Bend tube.
	The recovery water tank is dirty.	Clean.
The solution flow to the brushes is insufficient.	The solution/clean water filter is dirty.	Clean the filter.
The squeegee leaves marks on the floor.	There are debris under the squeegee blades.	Remove the debris.
	The squeegee blades are worn, chipped or torn.	Replace the blades.
	The squeegee has not been adjusted with the knob.	Adjust.

**NOTE**

Machine with battery charger installed, cannot operate if the charger is not on board. In case of battery charger malfunction, contact an authorized Service Center.

For further information refer to the Service Manual, available at any Service Center.

SCRAPPING

Scrap the machine by the qualified waste treatment institution.

Before the machine is scrapped, please take away and segregate below subassembly that relevant laws and regulations request must be disposed in appropriate way.

- Battery
- Brush/Pad-holder
- Plastic hose and plastic parts
- Electrical and electronic components (*)

(*) Please contact our company service center destroying any electrical and electronic components.

Machine material composition and recyclability

Type	Recyclable percentage	AS4325B weight percentage%
Aluminium	100%	2%
Electric motors-various	29%	23%
Ferrous materials	100%	32%
Wiring harness	80%	1%
Liquids	100%	0%
Plastic-non-recyclable material	0%	1%
Plastic-recyclable material	100%	38%
Rubber	20%	3%

TABLE DES MATIÈRES

INTRODUCTION	27
BUT ET CONTENU DU GUIDE	27
COMMENT CONSERVER CES INSTRUCTIONS D'UTILISATION	27
DÉCLARATION DE CONFORMITÉ	27
ACCESSOIRES ET ENTRETIEN	27
CHANGEMENT ET AMÉLIORATION	27
CHAMP D'APPLICATION	27
DONNÉES D'IDENTIFICATION DE LA MACHINE	27
TRANSPORT ET DÉBALLAGE	28
SÉCURITÉ	28
SYMBOLES VISIBLES SUR LA MACHINE	28
SYMBOLES UTILISÉS DANS LES INSTRUCTIONS D'UTILISATION	28
CONSIGNES GÉNÉRALES DE SÉCURITÉ	29
DESCRIPTION DE LA MACHINE	31
STRUCTURE DE LA MACHINE (comme représenté sur la Figure 1)	31
PANNEAU DE COMMANDE (comme représenté sur la Figure 2)	32
FENÊTRE D'AFFICHAGE DU VOYANT DU CHARGEUR (comme indiqué à la Figure 2)	32
DIMENSIONS DE LA MACHINE	33
CARACTERISTIQUES TECHNIQUES	34
SCHÉMA DE CÂBLAGE	35
GUIDE D'UTILISATION	36
VÉRIFICATION/RÉGLAGE DE LA BATTERIE SUR UNE NOUVELLE MACHINE	36
INSTALLATION ET COMPOSITION DE LA BATTERIE (À LIQUIDE OU GEL/AGM)	37
INSTALLATION ET RETRAIT DE LA TÊTE DE LAVAGE	39
POSE ET DÉPOSE DE L'ENSEMBLE RACLOIR	40
REMPLISSAGE DU RÉSERVOIR AVEC UNE SOLUTION OU DE L'EAU DE LAVAGE	41
DÉMARRAGE/ARRÊT DE LA MACHINE	41
FONCTIONNEMENT DE LA MACHINE (BROSSAGE ET SÉCHAGE)	42
VIDANGE DU RÉSERVOIR	43
APRÈS UTILISATION DE LA MACHINE	43
LONGUE INACTIVITÉ DE LA MACHINE	44
PREMIÈRE PÉRIODE D'UTILISATION	44
ENTRETIEN	44
CALENDRIER D'ENTRETIEN PROGRAMME	44
CHARGEMENT DES BATTERIES	45
NETTOYAGE DE LA BROSSE/DU DISQUE	46
NETTOYAGE DU FILTRE DE SOLUTION	47
NETTOYAGE DE L'EMBOUCHURE	47
VÉRIFICATION ET REMPLACEMENT DE LA LAMELLE DE L'EMBOUCHURE	48
NETTOYAGE DU RÉSERVOIR ET DE LA GRILLE D'ASPIRATION AVEC LE FLOTTEUR, VÉRIFICATION DU JOINT DE COUVERCLE	48
ACCESSOIRES/OPTIONS	49
DÉPANNAGE	50
RECYCLAGE	50

INTRODUCTION



REMARQUE

Les chiffres entre parenthèses renvoient aux éléments présentés dans le chapitre Description de la Machine.

BUT ET CONTENU DU GUIDE

Le but de ces instructions d'utilisation est de fournir à l'opérateur toutes les informations de base et les caractéristiques techniques, les conditions de fonctionnement, d'inactivité, les pièces détachées et les conditions de sécurité de la machine, etc.

Avant d'effectuer toute opération sur la machine, les opérateurs et les techniciens qualifiés doivent lire les Instructions d'utilisation. Contacter notre société en cas de doutes concernant l'interprétation des instructions ou pour toute information complémentaire.

COMMENT CONSERVER CES INSTRUCTIONS D'UTILISATION

Les instructions d'utilisation doivent être conservées près de la machine, dans une pochette spéciale, à l'écart des liquides et d'autres substances susceptibles de l'abîmer.

DÉCLARATION DE CONFORMITÉ

La déclaration de conformité est fournie avec la machine et certifie la conformité de la machine rapport à la loi en vigueur.



REMARQUE

Les copies de la déclaration originale de conformité sont fournies avec la documentation de la machine.

ACCESSOIRES ET ENTRETIEN

Toutes les opérations nécessaires, des procédures d'entretien et de réparation doivent être effectuées par un personnel qualifié ou par le centre d'entretien désigné de notre société. SEULS les pièces détachées et les accessoires autorisés devraient être utilisés.

Contacter le service à la clientèle de notre société pour tout service ou achat d'accessoires ou pièces détachées si nécessaire.

CHANGEMENT ET AMÉLIORATION

Nous nous engageons à l'amélioration continue de nos produits. La société se réserve le droit de modifier et d'améliorer la machine sans informations supplémentaires.

CHAMP D'APPLICATION

L'autolaveuse s'applique à l'usage commercial et industriel. Elle convient pour le nettoyage de sols lisses et pleins et doit être manipulée par une personne qualifiée dans des conditions de sécurité. Elle ne convient pas pour une utilisation en extérieur ou pour le nettoyage de la moquette ou des revêtements de sol rugueux.

DONNÉES D'IDENTIFICATION DE LA MACHINE

Le numéro de série et le nom du modèle de la machine sont indiqués sur l'étiquette de série.

Ces informations sont utiles. Utiliser le tableau suivant pour noter les données d'identification de la machine, lors de communication nécessitant des pièces de rechange pour la machine.

MODÈLE DE MACHINE.....
NUMÉRO DE SÉRIE DE LA MACHINE.....

TRANSPORT ET DÉBALLAGE

Lorsque le transporteur livre la machine, s'assurer que l'emballage et la machine sont à la fois intacts et en bon état. En cas de dommages, en informer le transporteur avant d'accepter les marchandises et réservez-vous le droit à compensation pour les dommages.

Suivre attentivement les instructions sur l'emballage, lors du déballage de la machine.

Vérifier l'emballage pour assurer que les éléments suivants sont inclus :

1. Documentation technique, y compris instructions d'utilisation et liste des pièces.
2. Composants de connexion de la batterie.
3. Manuel du chargeur électronique de la batterie (selon les modèles) (*)

SÉCURITÉ

Les symboles suivants indiquent les situations potentiellement dangereuses. Toujours lire attentivement ces informations et prendre toutes les précautions nécessaires pour protéger les personnes et les biens.

SYMBOLES VISIBLES SUR LA MACHINE**AVERTISSEMENT !**

Lire toutes les instructions avec attention avant d'effectuer toute opération sur la machine.

**AVERTISSEMENT !**

Ne pas laver la machine avec des jets d'eau directs ou sous pression.

**AVERTISSEMENT !**

Ne pas utiliser la machine sur des pentes dont l'inclinaison dépasse les indications du chapitre des spécifications.

SYMBOLES UTILISÉS DANS LES INSTRUCTIONS D'UTILISATION**DANGER !**

Cela indique une situation dangereuse avec risque de mort pour l'opérateur.

**AVERTISSEMENT !**

Cela indique un risque potentiel de blessure pour les personnes.

**ATTENTION !**

Cela indique un avertissement ou une remarque concernant des fonctions importantes ou utiles. Prêter l'attention aux paragraphes marqués par ce symbole.

**REMARQUE**

Cela indique une remarque sur des fonctions importantes ou utiles.

**CONSULTATION**

Ceci indique la nécessité de se référer aux instructions d'utilisation avant d'entreprendre toute procédure.

CONSIGNES GÉNÉRALES DE SÉCURITÉ

Les avertissements et les mises en garde spécifiques, pour informer des dommages potentiels aux personnes et à la machine, sont indiqués ci-dessous.

**DANGER !**

- Cette machine doit être exploitée par du personnel qualifié et autorisé selon les conseils du manuel.
- Avant d'effectuer toute opération de nettoyage, d'entretien, de réparation ou de remplacement, lire attentivement toutes les instructions, veiller à éteindre la machine et à débrancher le connecteur de la batterie.
- Ne pas faire fonctionner la machine à proximité de poudres, vapeurs ou liquides toxiques, dangereux, inflammables et/ou explosifs. Cette machine ne convient pas pour la collecte des poudres dangereuses.
- Ne pas porter de bijoux, lorsque l'on travaille à proximité de composants électriques.
- Ne pas travailler sous la machine soulevée sans qu'elle soit supportée par des béquilles de sécurité.
- Lors de l'utilisation de batteries au plomb (À LIQUIDE), celles-ci peuvent émettre des gaz inflammables en utilisation normale. Éloigner les étincelles, les flammes, les substances fumigènes et les éléments rayonnants, éclairants et brûlants des batteries.
- Lors du chargement de batteries au plomb (À LIQUIDE), de l'hydrogène gazeux peut s'en dégager risquant de provoquer des explosions. Veillez à ce que le local de charge soit bien aéré et éloigné de possibles flammes.

**AVERTISSEMENT !**

- Cette machine est conçue pour l'USAGE COMMERCIAL, par exemple dans des hôtels, des écoles, des hôpitaux, des usines, des magasins, des bureaux et des entreprises de propreté.
- Les machines laissées sans surveillance seront bloquées afin d'empêcher tout mouvement involontaire.
- Afin de prévenir un usage non autorisé de la machine, la source d'alimentation sera commutée ou verrouillée, par exemple en enlevant la clé du commutateur principal ou la clé de contact.
- Inspecter attentivement la machine avant chaque utilisation. Veiller à ce que tous les composants aient été bien assemblés avant l'utilisation. Les éléments lâches peuvent causer des dommages aux personnes et aux biens.
- Avant d'utiliser le chargeur de batterie, veiller à ce que les valeurs de fréquence et de tension indiquées sur la plaquette du numéro de série de la machine correspondent à celles du secteur.
- Ne jamais déplacer la machine en tirant sur le câble du chargeur de batterie. Veillez à ce que le câble de charge ne soit pas endommagé par une fermeture de porte ou des coins à angle aigu. Ne pas faire fonctionner la machine sur le câble du chargeur de batterie. Éloigner le câble du chargeur de batterie des surfaces chauffées.
- Ne pas charger les batteries si le câble de chargeur de batterie ou la fiche sont endommagés.
- Pour réduire le risque d'incendie, de choc électrique ou de blessure, s'assurer que la machine est éteinte avant de partir.
- Utiliser ou stocker la machine en intérieur dans des conditions sèches. Il est interdit de l'utiliser en extérieur.
- La température de stockage et de travail doit être comprise entre 0 °C et +40 °C, l'humidité de l'air doit être comprise entre 30% et 95%.
- Ne pas utiliser la machine sur des pentes dont l'inclinaison dépasse les spécifications.
- Lors de l'utilisation et de la manipulation de détergents de nettoyage de sols, suivre les instructions des étiquettes des bouteilles de détergent et porter des gants et de protection appropriés.
- Utiliser les brosses et les supports de disque fournis avec la machine ou définis dans le manuel. L'utilisation d'autres brosses ou support de disque pourrait diminuer la sécurité.
- En cas de mauvais fonctionnements de la machine, veiller à ce qu'ils ne soient pas dus à un manque d'entretien. Si nécessaire, demander l'assistance du personnel autorisé ou d'un centre d'entretien agréé.
- Prendre toutes les précautions nécessaires pour empêcher les cheveux, les bijoux et les vêtements amples d'être retenus par des pièces en mouvement de la machine.
- Ne pas utiliser la machine dans des endroits particulièrement poussiéreux.
- Ne pas laver la machine avec des jets d'eau directs ou sous pression, ou avec des substances corrosives.
- Ne pas heurter d'étagères ou d'échafaudages, en particulier lorsqu'il y a un risque de chute d'objets.
- Ne pas poser de récipients contenant des liquides sur la machine, utiliser le porte-gobelet prévu à cet effet.
- Pour éviter d'endommager le sol, ne pas laisser la brosse/le disque fonctionner alors que la machine est à l'arrêt.
- En cas d'incendie, utiliser un extincteur à poudre. Ne pas utiliser les extincteurs liquides.

- Ne pas enlever ou modifier les autocollants de la machine.
- Ne pas modifier les dispositifs de sécurité de la machine et suivez scrupuleusement les instructions d'entretien prévu.
- Faire attention pendant le transport de la machine, si la température est sous le point de congélation. L'eau, dans le réservoir de récupération et dans les tuyaux pourrait geler et causer de sérieux dommages à la machine.
- Si les pièces détachées doivent être remplacées, commander les pièces détachées D'ORIGINE auprès d'un concessionnaire agréé.
- Ramener la machine au centre d'entretien, si elle ne fonctionne pas comme d'habitude ou si elle est endommagée, placée à l'extérieur ou si elle est tombée dans l'eau.
- Pour assurer un fonctionnement adéquat et sécurisé de la machine, l'entretien prévu indiqué dans le chapitre respectif de ce manuel, doit être effectué par le personnel autorisé ou un centre d'entretien agréé.
- La machine doit être correctement mise à la ferraille, étant donné la présence de matières toxiques (batteries, etc.) soumises à des normes qui exigent l'élimination dans des centres spéciaux (voir le chapitre Démolition).
- Cette machine est un outil de nettoyage qui ne doit pas être utilisé à d'autres fins.
- Toujours veiller à ce que les ouvertures soient libres de poussière, poils et tout autre corps étranger qui pourrait réduire le flux d'air. Ne pas utiliser la machine si les ouvertures sont bouchées.
- Utiliser la machine à condition de disposer d'un éclairage adapté.
- Cette machine n'est pas conçue pour être utilisée par des personnes (y compris des enfants) avec des facultés physiques, sensorielles ou mentales réduites, ou manquant d'expérience et de connaissances.
- Une attention particulière est nécessaire lorsqu'elle est utilisée à proximité d'enfants.
- Les enfants doivent être surveillés afin de s'assurer qu'ils ne jouent pas avec la machine.
- Tout en utilisant cette machine, prendre soin de ne pas causer de dommages aux personnes ou aux objets se trouvant aux alentours.
- Le nettoyage et l'entretien réservés à l'utilisateur ne doivent pas être confiés à des enfants sans surveillance.
- Les opérateurs doivent être formés correctement à l'utilisation de ces machines.

DESCRIPTION DE LA MACHINE**STRUCTURE DE LA MACHINE (comme représenté sur la Figure 1)**

- | | |
|--|---|
| 1. Poignée | 21. Panneau de commande |
| 2. Levier d'interrupteur de sécurité | 22. Boîte de pièces d'accessoire (*) |
| 3. Levier de réglage de guidon | 23. Support du câble d'alimentation |
| 4. Tuyau de vidange de l'eau de récupération | 24. Câble d'alimentation |
| 5. Couvercle du réservoir de récupération | 25. Couvercle de sécurité de la prise de chargement |
| 6. Capot pour eau douce | 26. Voyant de signal de charge |
| 7. Chaîne de retenue de capot | 27. Pédale de levage/d'abaissement de la tête de lavage |
| 8. Col du tuyau de remplissage | c) Position de la pédale lorsque la tête de lavage est abaissée |
| 9. Réservoir de récupération | d) Position de la pédale lorsque la tête de lavage est relevée |
| 10. Réservoir de la solution | 28. Roue à pivot |
| 11. Roue tampon de tête de brosse | 29. Tuyau de vidange de l'eau de récupération |
| 12. Tête de lavage | 30. Bouchon de vidange |
| 13. Brosse/support disque | |
| 14. Tuyau du levier de solution | |
| 15. Électrovanne | |
| 16. Filtre de solution | |
| 17. Roues avant | |
| 18. Molettes de l'embouchure | |
| 19. Poignée de levage de l'embouchure | |
| 20. Ensemble d'embouchure | |

(*) : Options

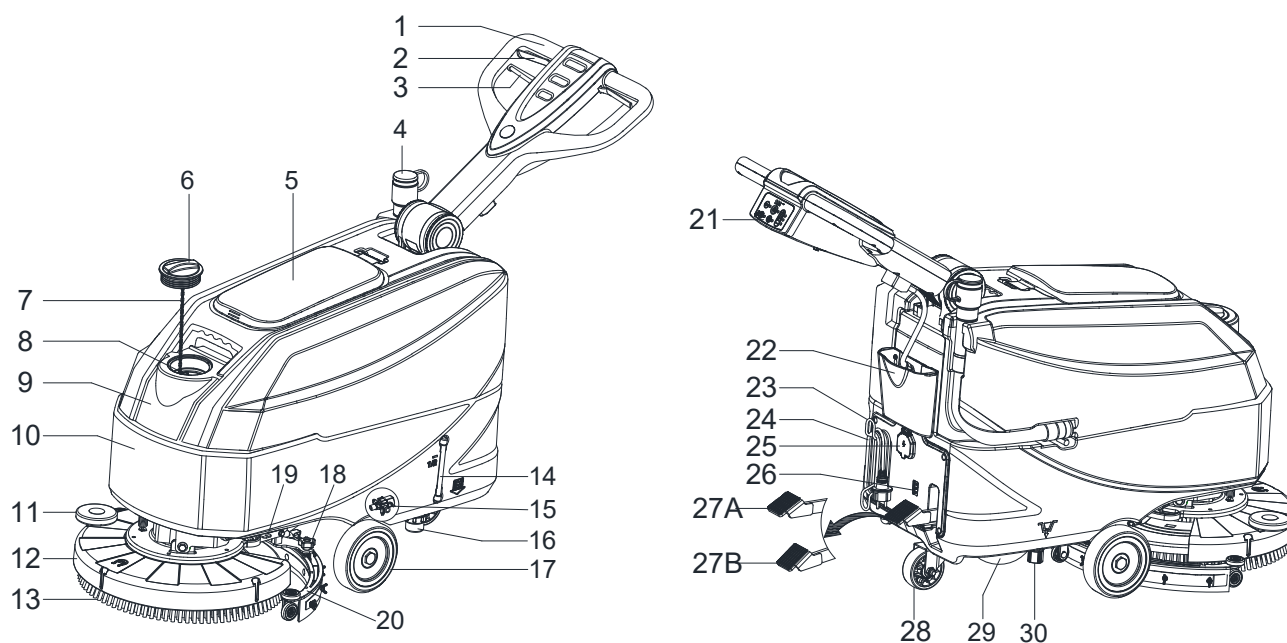


Figure 1

PANNEAU DE COMMANDE (comme représenté sur la Figure 2)

- | | |
|---|---|
| 31. Voyant de batterie déchargée (rouge) | 41. Plaque signalétique/ données techniques |
| 32. Voyant de batterie partiellement déchargée (jaune) | 42. LED rouge de charge |
| 33. Voyant de batterie chargée (vert) | 43. LED jaune de charge |
| 34. Commutateur d'augmentation de débit | 44. LED verte de charge |
| 35. Indicateur de débit de solution | 45. Jupe (*) |
| 36. Commutateur de réduction de débit | 46. Brosse |
| 37. Commutateur de libération de la brosse/du support de disque | 47. Support de disque (*) |
| 38. Modèle de moteur de vide normal | |
| 39. Bouton unique de démarrage | |
| 40. Mode ECO | (*) : Options |

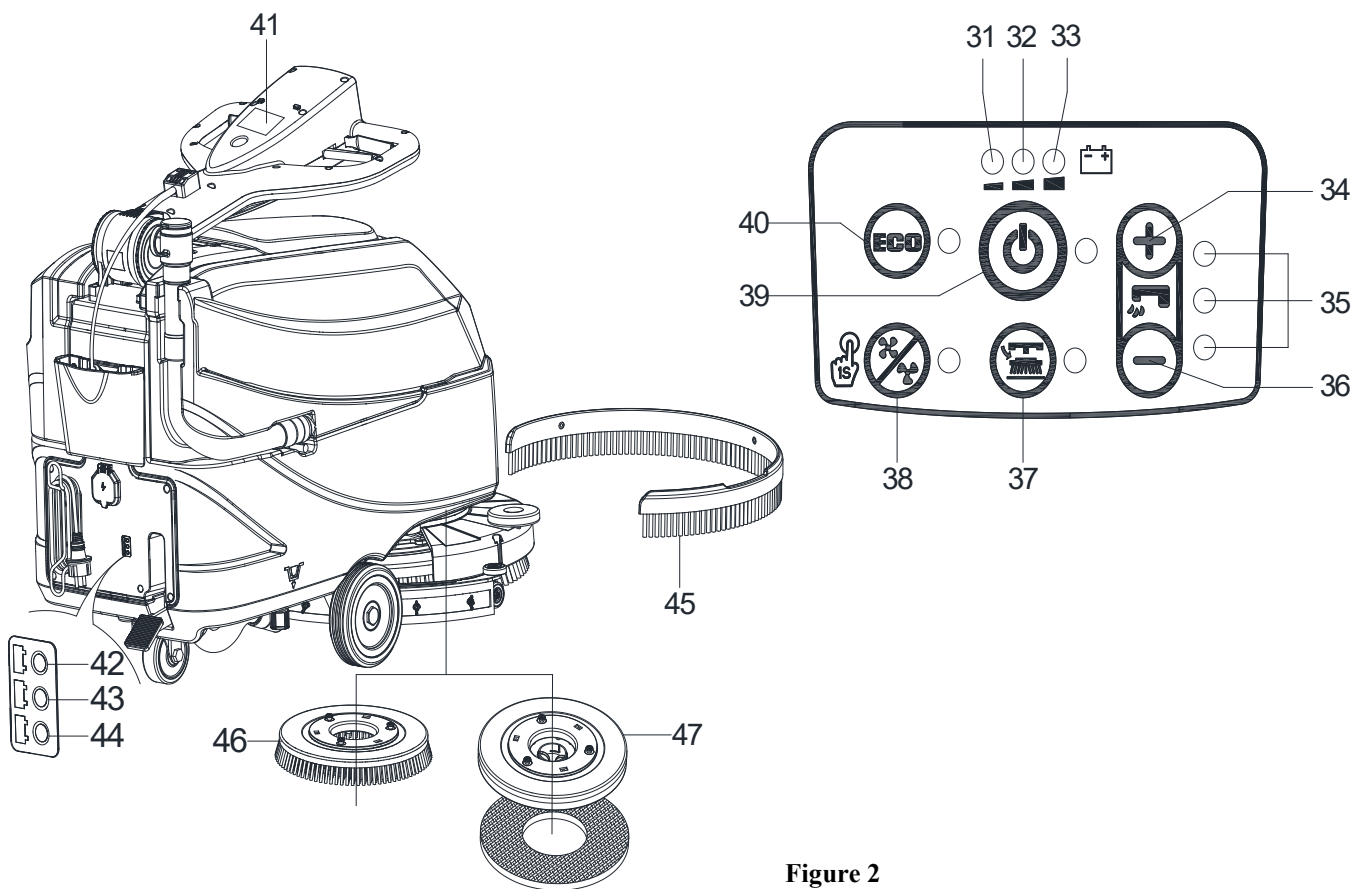


Figure 2

FENÊTRE D'AFFICHAGE DU VOYANT DU CHARGEUR (comme indiqué à la Figure 2)

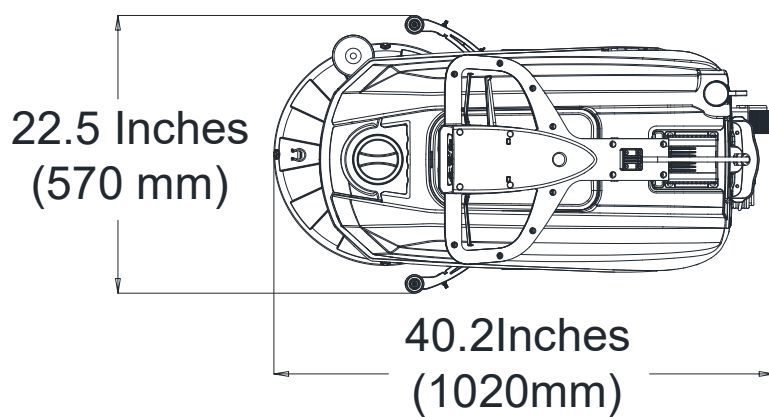
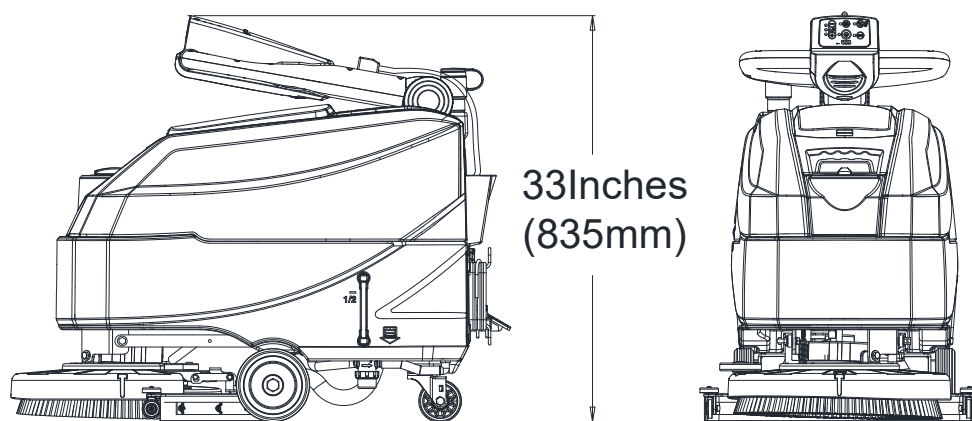
1. Au début de la charge, la LED rouge (42) du chargeur est normalement allumée. C'est la première étape de charge.
2. Après un certain temps de charge, le voyant rouge (42) s'éteint, le voyant LED (43) jaune s'allume, ceci est la deuxième étape de la charge.
3. Lorsque la charge est terminée, la LED jaune (43) s'éteint, et la LED verte (44) s'allume pour indiquer que la batterie est complètement chargée.

**REMARQUE**

Lors de la charge, si la LED jaune (48) du chargeur clignote, cela peut être dû à : La batterie et le chargeur ne correspondent pas, la batterie n'est pas bien branchée ou la sortie est en court-circuit.

Le voyant LED rouge du chargeur clignote peut être causé par le court-circuit interne du chargeur.

DIMENSIONS DE LA MACHINE

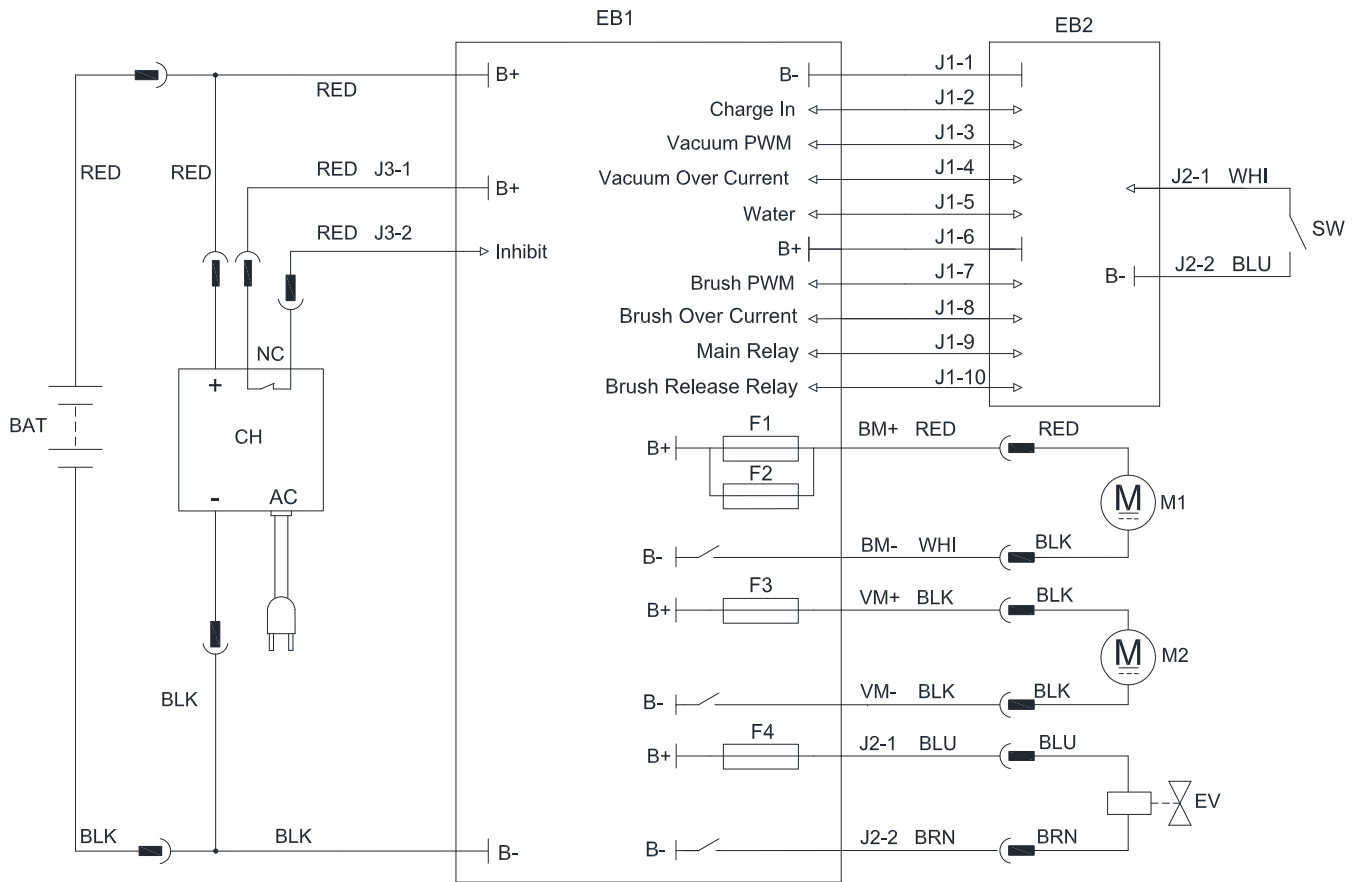


CARACTERISTIQUES TECHNIQUES

Type de paramètre	Unités	Modèle
		AS4325B
Capacité du réservoir de solution	L / Gal	25 l / 6,6 Gal.
Capacité du réservoir de récupération	L / Gal	25 l / 6,6 Gal.
Longueur de la machine	mm/pouces	1020 mm/40,1 pouces
Largeur de la machine avec embouchure	mm/pouces	570 mm/22,4 pouces
Largeur de la machine sans embouchure	mm/pouces	485 mm/19,1 pouces
Hauteur de la machine (sans les poignées)	mm/pouces	647 mm/25,5 pouces
Hauteur de la machine (avec poignée verticale)	mm/pouces	1182 mm/46,5 pouces
Largeur de travail	mm/pouces	432 mm/17 pouces
Diamètre des roues motrices	mm/pouces	153 mm/6 pouces
Diamètre roue arrière	mm/pouces	89 mm/3,5 pouces
Diamètre de la brosse/disque	mm/pouces	432 mm/17 pouces
Pression de la brosse/disque (max)	kg/lbs.	19 Kg / 41,8 Lbs
Débit de solution (max) pour réglage	L/gal par minute	(0,59/0,69/1,11/1,68) litres (0,16/0,18/0,29/0,44) gallons
Niveau de pression acoustique	dB (A)	69 ± 3 dB (A)
Niveau de pression acoustique en mode ECO ou en mode silencieux	dB (A)	65 ± 3 dB (A)
Niveau de vibration de la poignée (max)	m/s ²	< 2,5 m/s ²
Pente admissible (max)	% degré	2 %
Puissance du moteur d'aspiration	Watt / CV	300 W / 0,4 CV
Capacité d'aspiration	mm/In de H ₂ O	900 mm/ 35,4 In de H ₂ O
Capacité d'aspiration en mode ECO ou en mode silencieux	mm/In de H ₂ O	650 mm/ 25,6 In de H ₂ O
Puissance du moteur de la brosse	Watt / CV	400 Watt / 0,54 CV
Vitesse de brosse en mode normal	Tr/min	140 tr/min
Vitesse de brosse en mode ECO	Tr/min	100 tr/min
Indice de protection IP	IP	IP24
Dimensions du compartiment à batterie (L x l x H)	mm/pouces	(265 x 350 x 230) mm / 10,4 x 13,8 x 9,1 pouces
Tension	CC	24 V
Batteries (*)	Ah	85Ah C20 / 67Ah C5
Temps de fonctionnement de la batterie (batteries standard) (*)	Heure	Jusqu'à 4 heures
Chargeur embarqué (*)	Volts/A	24V 10A
Productivité (max)	m ² /h	12,000 sq. ft./h (1115 m ² /h)
Poids de la machine avec des réservoirs vides (sans batteries)	kg/lbs.	58 Kg / 128 Lbs.
Masse totale en charge (MTC)	kg/lbs.	134 Kg / 295 Lbs.
Poids d'expédition	kg/lbs.	137 Kg / 302 Lbs.
Dimensions de l'emballage (L x l x H)	mm/pouces	(1130 x 730 x 1040mm) / (44.5 x 28.7 x 41 pouces)

(*) : Options

SCHÉMA DE CÂBLAGE



COMPONENTS		COMPONENTS		Comment	
BAT	24V Battery	SW	Handle Switch	1	RED-Red
CH	Battery Charger	F1	Brush Motor Fuse	2	BLK-Black
EB1	Control Board	F2	Brush Motor Fuse	3	BRN-Brown
EB2	Dashboard	F3	Vacuum Motor Fuse	4	WHI-white
M1	Brush Motor	F4	Solution Valve Fuse	5	BLU-Blue
M2	Vacuum Motor				
EV	Solution Valve				

GUIDE D'UTILISATION

**AVERTISSEMENT !**

En certains endroits de la machine il y a des plaques adhésives indiquant :

- DANGER !
- AVERTISSEMENT !
- ATTENTION !
- CONSULTATION

En lisant ce manuel, l'opérateur doit prêter une attention particulière aux symboles figurant sur les plaques. Ne pas couvrir ces plaques pour une raison quelconque et les remplacer immédiatement en cas de détérioration.

VÉRIFICATION/RÉGLAGE DE LA BATTERIE SUR UNE NOUVELLE MACHINE

**AVERTISSEMENT !**

Les composants électriques de la machine peuvent être sérieusement endommagés si les batteries sont soit mal installées ou mal connectées. Les batteries doivent être uniquement installées par un personnel qualifié. Réglez le fonctionnement de la carte électronique et du chargeur de batterie intégré en fonction du type de batterie utilisé (batteries À LIQUIDE ou GEL/AGM). Vérifiez les dommages à la batterie avant installation. Déconnecter le connecteur de la batterie et la fiche du chargeur de batterie. Manipuler les batteries avec grande précaution. Installer les bouchons de protection des bornes de la batterie fournis avec la machine.

**REMARQUE**

La machine nécessite deux batteries 12 V, connectées conformément au schéma (Figure 3).

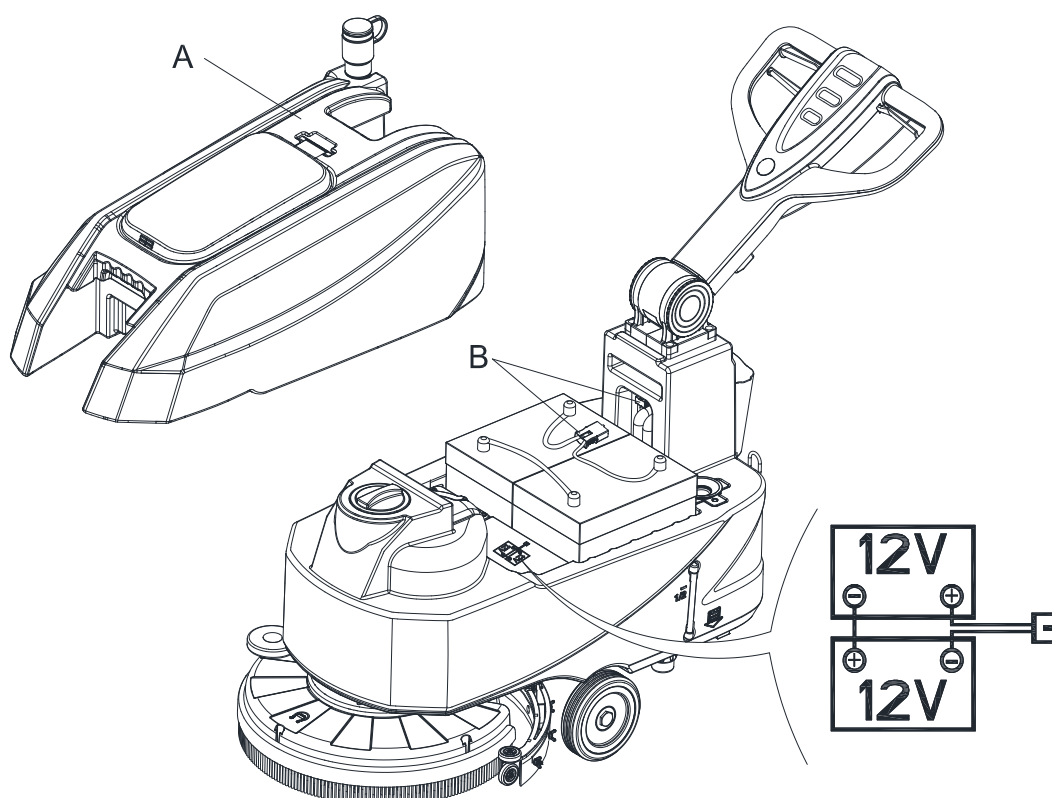


Figure 3

La machine peut être fournie dans l'un des modes suivants :

A) batteries (À LIQUIDE ou GEL/AGM) déjà installées et chargées

1. Vérifiez que les batteries sont connectées à la machine à l'aide du connecteur (B, Figure 3).
2. En appuyant sur le bouton (39 Figure 2). Si le voyant d'avertissement vert (33) s'allume, les batteries sont complètement chargées. Si le voyant d'avertissement jaune (32) ou rouge (31) s'allume, les batteries doivent être chargées (voir la procédure au chapitre Entretien).

B) Sans batteries

1. Achetez des batteries appropriées (voir le paragraphe Caractéristiques techniques).
2. Pour le choix et l'installation des batteries, s'adresser à des revendeurs de batteries qualifiés.
3. Réglez la machine et le chargeur de batterie en fonction du type de batterie (À LIQUIDE ou GEL/AGM), comme indiqué au paragraphe suivant.

INSTALLATION ET COMPOSITION DE LA BATTERIE (À LIQUIDE OU GEL/AGM)

Selon le type de batteries (À LIQUIDE ou GEL/AGM), réglez la machine et la carte électronique du chargeur de batterie comme suit :

Réglage de la machine

Lorsque le Démarrage Une touche S3 est désactivé, appuyez simultanément sur les boutons + et - de volume d'eau (S5 et S6), 0,5 seconde plus tard, LED1, LED2 et LED3 sont toutes allumées pour accéder au réglage du mode batterie :

1. Appuyez ensuite sur volume d'eau + ou - pour basculer entre « À LIQUIDE », « GEL/AGM » et « DIS-EV ». En mode « À LIQUIDE », le voyant rouge est allumé. En mode « GEL/AGM », le voyant est vert. En mode « DIS-EV », le voyant est jaune.
2. Appuyez le Démarrage Une touche pour terminer le réglage et quitter, éteignez la machine pour enregistrer et mettre à jour tous les réglages de la batterie. Une fois activé, cela fonctionnera comme réglé.



REMARQUE

Le type de batterie par défaut est GEL/AGM.

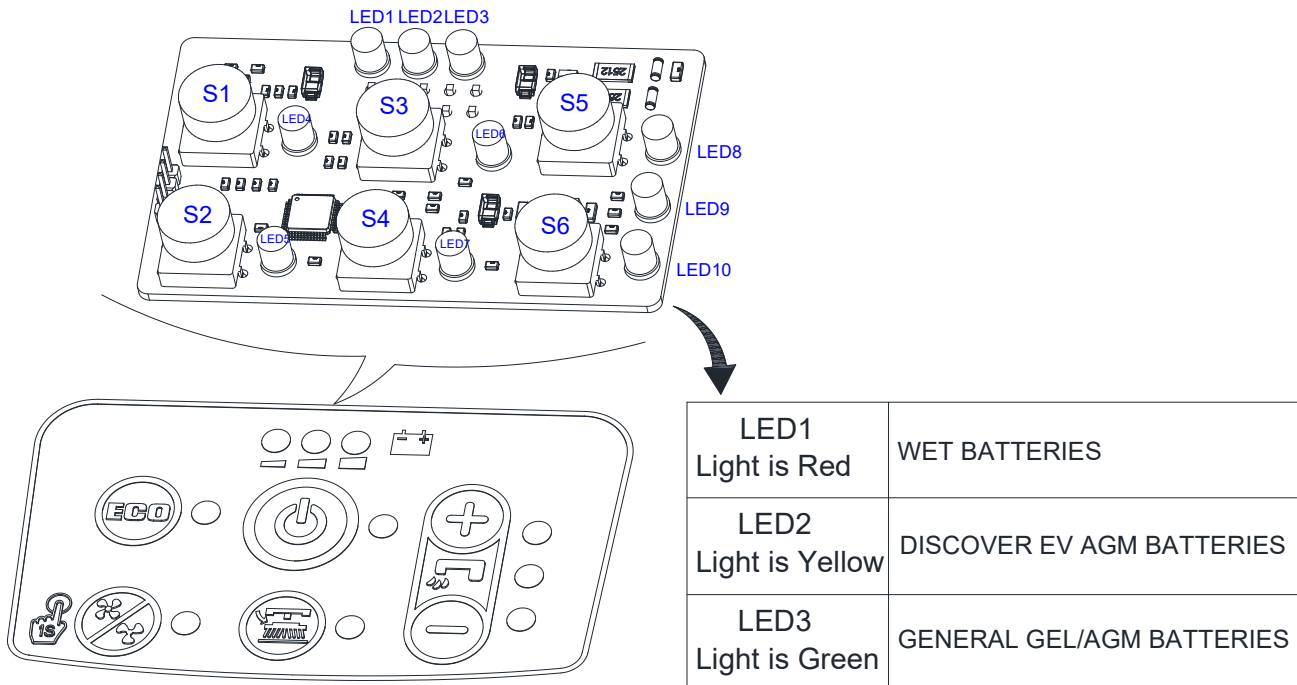


Figure 4

Installation de la batterie

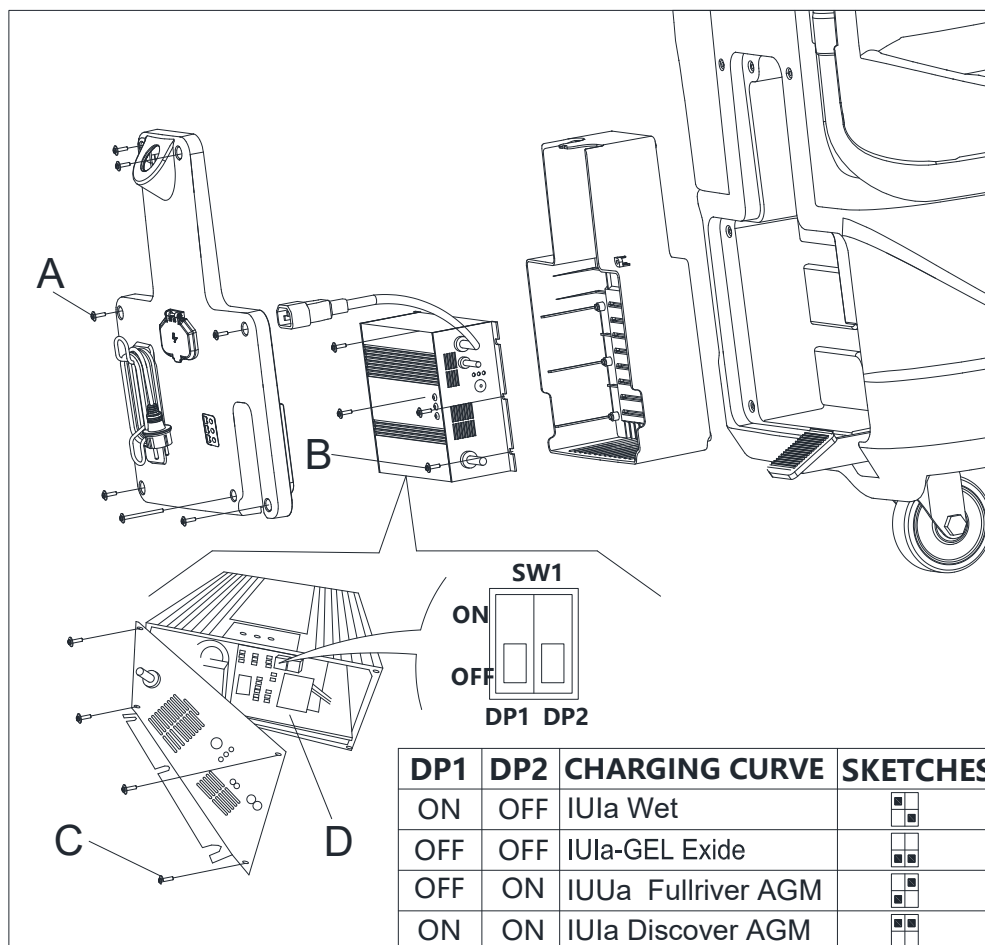
3. Ouvrez le couvercle du réservoir de récupération (5, Figure 1) et vérifiez que le réservoir de récupération (9, Figure 1) est vide ; sinon, le vider avec le flexible de vidange. (4, Figure 1)
4. Fermez le couvercle du réservoir de récupération (5, Figure 1).
5. Enlevez avec précaution le kit du réservoir de récupération (A, Figure 3).
6. La machine est fournie avec des câbles adaptés à l'installation de 2 batteries 12 V. Mettre soigneusement les batteries dans le compartiment, puis les installer correctement.
7. Acheminer et installer le câble de la batterie comme indiqué dans la (Figure 3), puis serrer soigneusement l'écrou sur chaque borne de la batterie.
8. Placez le capuchon de protection sur chaque borne, puis branchez le connecteur de batterie (B, Figure 3).
9. Enlevez avec précaution le kit du réservoir de récupération (A, Figure 3).

Chargement des batteries

10. Charger les batteries. (Voir les procédures dans le chapitre Entretien).

**ATTENTION !****Couper toute alimentation de la machine avant d'effectuer la procédure suivante !****Réglage du chargeur de batterie**

11. Retirez les vis (A, B, C, Figure 4.1).
12. Ouvrez le chargeur et trouvez le sw1 (D, Figure 4.1).
13. Définissez les commutateurs comme dans le tableau de la Figure 4.1.
14. Installez les vis (A, B, C, Figure 4.1) une fois le réglage terminé.

**Figure 4.1**

INSTALLATION ET RETRAIT DE LA TÊTE DE LAVAGE

**REMARQUE**

Installer soit la brosse (A, Figure 5) ou le support de disque (B et C, Figure 5) selon le type de sol à nettoyer.

**ATTENTION !**

Avant l'installation ou la désinstallation de la tête de lavage, vérifiez que tous les interrupteurs de la machine sont en position d'arrêt et que la raclette et la tête de lavage se soulèvent du sol. L'opérateur doit être doté de dispositifs de protection personnels appropriés tels que des gants, afin de réduire le risque d'accidents.

Procéder comme suit :

1. Mettez l'interrupteur d'alimentation hors tension (39, Figure 2).
2. Soulevez la plate-forme en appuyant sur la pédale (27, Figure 1).
3. Placez les brosses (A, Figure 5) ou le support de disque (B, Figure 5) sous le plateau (12, Figure 1).
4. Abaissez le plateau sur les têtes de lavage en appuyant sur la pédale (27, Figure 1).
5. Appuyez sur l'interrupteur de démarrage (39, Figure 2).
6. Appuyez sur l'un des leviers du commutateur de sécurité de la brosse/marche avant (2, Figure 1) pour engager la tête de lavage, puis relâchez-le. Si nécessaire, répéter la procédure jusqu'à ce que les brosses/les supports de disque sont engagés.
7. Si l'étape n° 6 ci-dessus s'avère difficile, utilisez la méthode manuelle en tournant la tête de lavage dans la direction opposée au sens de rotation normal et il peut être retiré. (cf. la Figure 5)

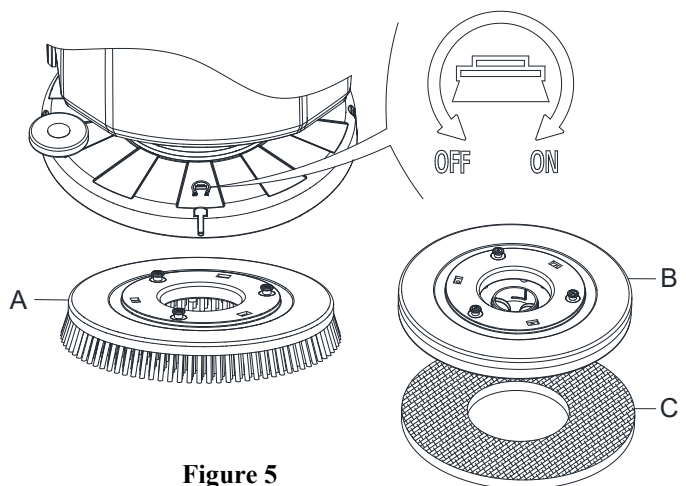


Figure 5

**AVERTISSEMENT !**

Pour engager la tête de lavage, appuyez sur le levier du commutateur de sécurité (2, Figure 1) qui allume le moteur de tête de lavage.

8. Pour retirer la tête de lavage, soulevez la plate-forme en appuyant sur la pédale (27, Figure 1), puis appuyez sur le commutateur (37, Figure 2). La tête de lavage peut alors être retirée.

POSE ET DÉPOSE DE L'ENSEMBLE RACLOIR**ATTENTION !**

Il est conseillé de porter des gants de protection lors de l'installation et de la dépose du racloir car il peut y avoir des débris tranchants.

1. Pousser la machine sur un sol plat.
2. Vérifiez que la machine est arrêtée.
3. Abaissez la tête de lavage (12, Figure 1) en soulevant la pédale (36), la brosse sur le sol.
4. Placer la raclette entre la brosse et la roue avant.
5. Fixez le goujon A sur l'ouverture B, puis fixez une autre vis C sur l'ouverture D, serrez le bouton de la raclette et branchez le flexible de vidange d'eau de récupération F au connecteur E (Figure 6).
6. Débranchez la raclette dans l'ordre inverse du démontage.

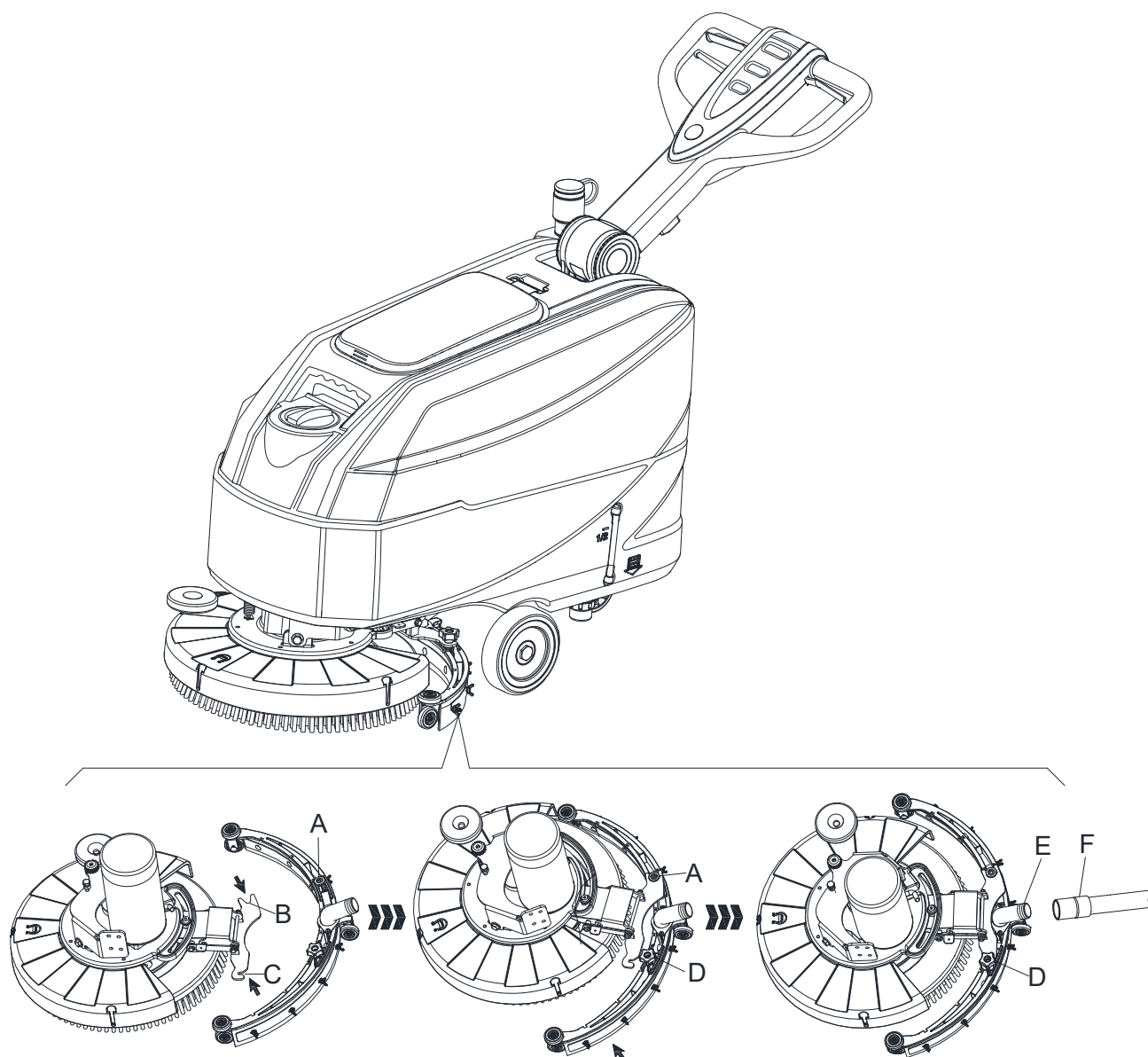


Figure 6

REPLISSAGE DU RÉSERVOIR AVEC UNE SOLUTION OU DE L'EAU DE LAVAGE

1. Ouvrez le couvercle d'entrée d'eau (A, Figure 7).
2. Remplir d'eau ou de solution adaptée au travail.
La température de la solution ne doit pas dépasser +104 °F (+40 °C).
3. Ne remplissez pas trop le réservoir, et surveillez l'indicateur de niveau d'eau (B, Figure 7) pour connaître le volume d'eau.

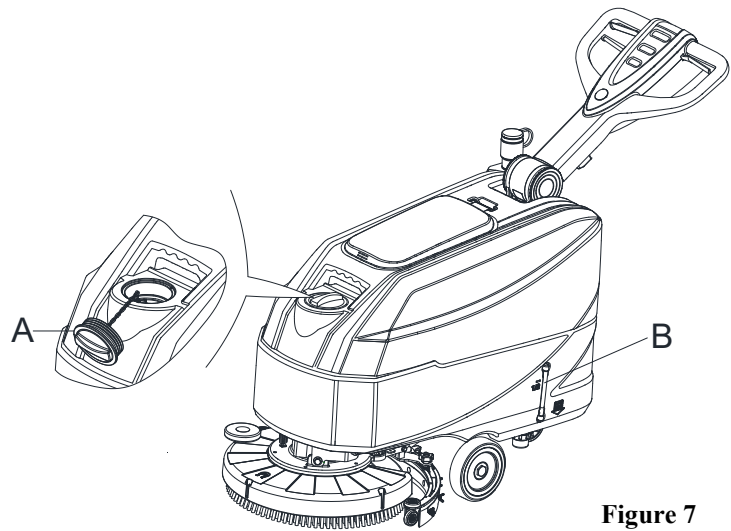


Figure 7



AVERTISSEMENT !

Utiliser uniquement des détergents à faible pouvoir moussant et non-inflammables, qui sont destinés à des applications à l'autolaveuse.

DÉMARRAGE/ARRÊT DE LA MACHINE

Démarrage de la machine

1. Préparer la machine comme indiqué dans le paragraphe précédent.
2. Poussez la machine jusqu'à la zone à nettoyer en laissant les mains sur le guidon (I, Figure 8).
3. Abaissez la tête de lavage (M, Figure 8) et la raclette (L) en soulevant la pédale (K).
4. Appuyez sur l'interrupteur de démarrage (G, Figure 8). Vérifiez que le voyant d'avertissement vert (C) s'allume (batterie chargée). Si le voyant d'avertissement jaune (B) ou rouge (A) s'allume, éteignez le commutateur d'alimentation (G, Figure 8) et chargez les batteries (voir la procédure au chapitre Entretien).
5. Appuyez sur les commutateurs de contrôle du débit d'eau de lavage (D, Figure 8) selon le type de nettoyage à effectuer.
6. Commencez le nettoyage en poussant la machine avec les mains sur le guidon (I) et en appuyant sur le levier du contacteur de sécurité (J).

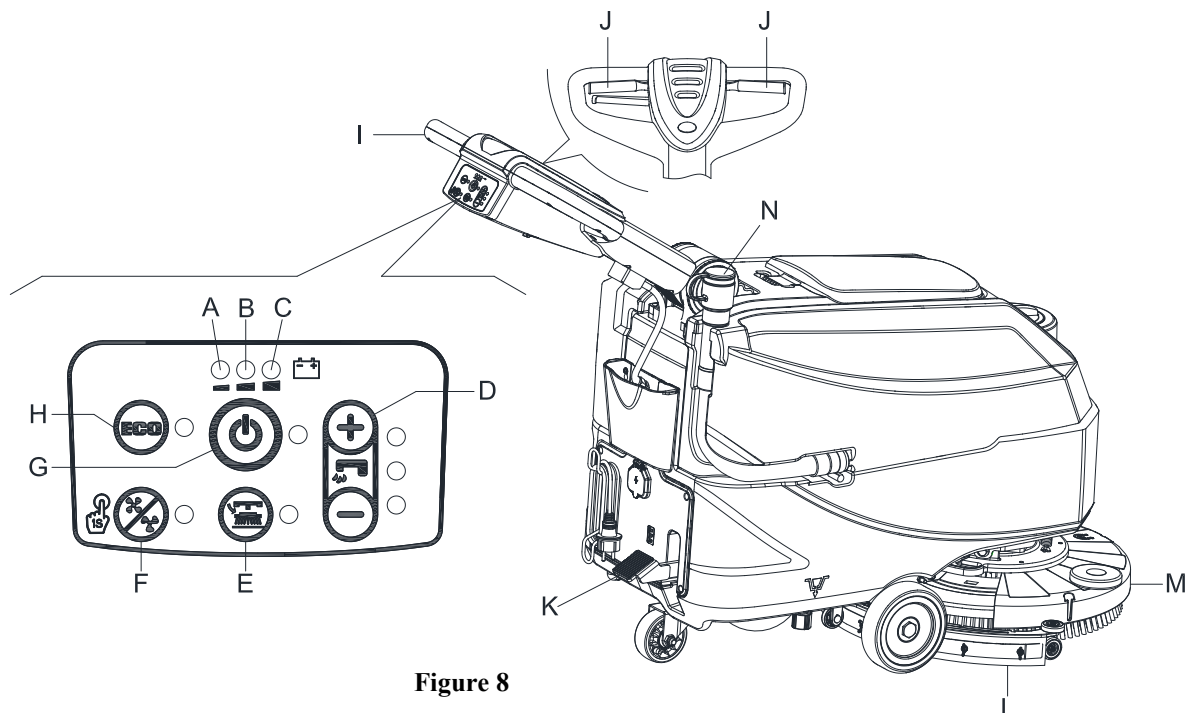


Figure 8

**REMARQUE**

Pour déplacer la machine vers l'avant, appuyez sur le levier du contacteur de sécurité gauche ou droit (J, schéma 8) ou les deux.

- Si nécessaire, appuyez sur le levier de réglage du guidon (3, Figure 1) pour régler sa hauteur.

Arrêt de la machine

- Arrêtez la machine à l'aide du guidon (I).
- Arrêtez les brosses et le système d'aspiration en appuyant sur le contacteur (G). Le système d'aspiration s'arrête au bout de quelques secondes.
- Levez la tête de lavage (M) et la raclette (L) en appuyant sur la pédale (K).
- S'assurer que la machine ne peut pas bouger de façon indépendante.

FONCTIONNEMENT DE LA MACHINE (BROSSAGE ET SÉCHAGE)

- Démarrer la machine, comme indiqué dans les paragraphes précédents.
- Tout en gardant les deux mains sur le guidon, appuyez sur le levier du contacteur de sécurité (J, Figure 8), puis manœuvrez la machine et commencez à laver/sécher le sol.

**REMARQUE**

Pour un nettoyage/séchage correct des sols sur les côtés des murs, il est conseillé de le faire par le côté droit de la machine (A et B, Figure 9) comme illustré sur la figure.

**ATTENTION !**

Pour éviter tout dommage à la surface du sol, éteindre la brosse/le support de disque lorsque la machine s'arrête en un point, en particulier lorsque la fonction de pression supplémentaire est activée.

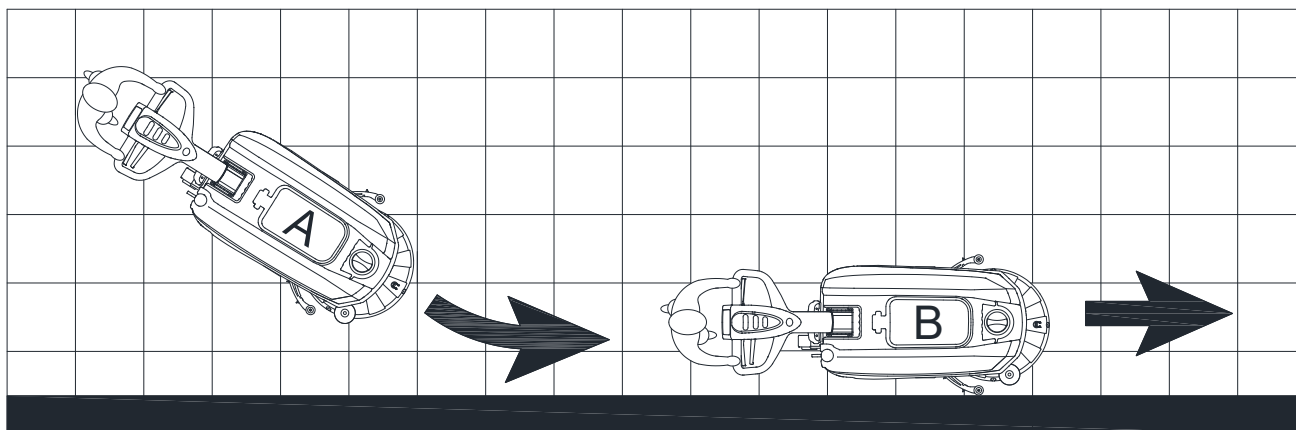


Figure 9

Décharge de la batterie pendant le fonctionnement

Lorsque le témoin d'avertissement vert (C, Figure 8) reste allumé, les batteries permettent à la machine de fonctionner normalement. Lorsque le témoin d'avertissement vert (C) s'éteint et que le témoin d'avertissement jaune (B) s'allume, il est conseillé de charger les batteries, car la charge restante ne dure que quelques minutes (en fonction des caractéristiques de la batterie et du travail à effectuer). Lorsque le voyant d'avertissement rouge (A) s'allume, les batteries sont complètement déchargées. Au bout de quelques secondes, la tête de lavage est automatiquement éteinte.

**ATTENTION !**

N'utilisez pas la machine avec des batteries déchargées pour éviter de les endommager et de réduire leur durée de vie.

VIDANGE DU RÉSERVOIR

Un système automatique de fermeture à flotteur (B, Figure 10) bloque le système d'aspiration lorsque le réservoir d'eau de récupération (C) est plein. La désactivation du système d'aspiration est indiquée par une augmentation soudaine de la fréquence du bruit du moteur du système d'aspiration, le sol aussi ne sera pas sec.



ATTENTION !

Si le système d'aspiration s'éteint accidentellement (par exemple, lorsque le flotteur est activé en raison d'un mouvement soudain de la machine), pour reprendre l'opération : mettez hors tension le système d'aspiration en appuyant sur l'interrupteur (G, Figure 8), puis ouvrez le capot (A, Figure 10) et vérifiez que le flotteur à l'intérieur de la grille (B) est descendu jusqu'au niveau d'eau. Fermez ensuite le couvercle (A) et mettez le système d'aspiration sous tension en appuyant sur le commutateur (G, Figure 8).

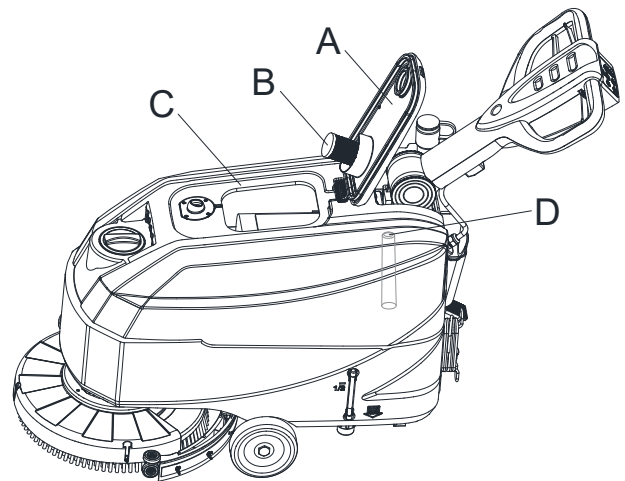


Figure 10

Lorsque le réservoir d'eau de récupération (C, Figure 10) est plein, le vider selon la procédure suivante.

Vider le réservoir d'eau récupération

1. Arrêter la machine.
2. Soulevez la tête de lavage (M, Figure 8) et la raclette (L) en appuyant sur la pédale (K).
3. Poussez la machine jusqu'à la zone de rangement désignée.
4. Videz le réservoir d'eau de récupération à l'aide du flexible (N, Figure 8). Ensuite, rincez le réservoir de récupération (C, Figure 10) à l'eau claire.
5. Retirez le couvercle du réservoir de récupération (A, Figure 10) et nettoyez l'intérieur du couvercle et la grille du flotteur du filtre (B) à l'eau propre.
6. Vérifiez si le réservoir de récupération (D, Figure 10) présente un corps étranger et nettoyez-le.

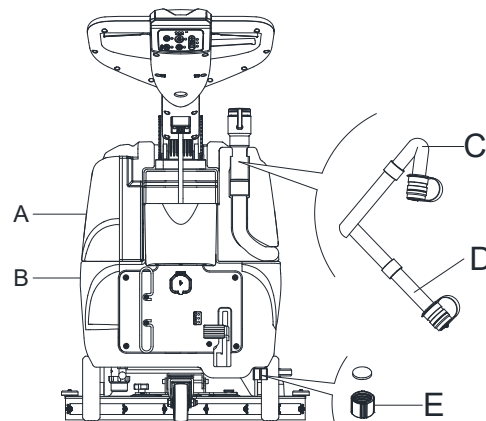


Figure 11



ATTENTION !

Lors de la vidange des eaux usées, le tube d'aspiration des déchets doit être replié (C, Figure 11) et abaissé en position inférieure (D, Figure 11), puis ouvrez le couvercle du tube d'aspiration des déchets pour vidanger l'eau. Ne pas orienter vers le haut le tuyau de vidange, afin de drainer l'eau à la verticale. Ceci afin d'éviter que les eaux usées se déversent sur l'opérateur.

7. Effectuez les étapes 1 à 4.

Vidange du réservoir de solution/d'eau propre

8. Videz le réservoir de solution avec le couvercle de sortie (E, Figure 11). Après avoir travaillé, rincer le réservoir avec de l'eau propre.

APRÈS UTILISATION DE LA MACHINE

Après utilisation, avant de ranger la machine :

1. Retirez les têtes de lavage.
2. Videz les réservoirs (A et B, Figure 11) comme indiqué au paragraphe précédent.
3. Effectuer les procédures d'entretien quotidien (voir le chapitre d'entretien).
4. Ranger la machine dans un endroit propre et sec, avec les brosses/supports de disque et l'embouchure soulevés ou retirés.

LONGUE INACTIVITÉ DE LA MACHINE

Si la machine n'est pas utilisée pendant plus de 30 jours, procéder comme suit :

5. Effectuer les procédures indiquées dans le paragraphe « Après utilisation de la machine ».
6. Débranchez le connecteur de la batterie (B, Figure 3).

PREMIÈRE PÉRIODE D'UTILISATION

Après les 8 premières heures, vérifier le serrage de la machine et les pièces de liaison pour un serrage correct et vérifier les pièces visibles pour l'usure et les fuites.

ENTRETIEN**AVERTISSEMENT !**

Les procédures d'entretien doivent être effectuées après que la machine ait été éteinte et le câble du chargeur de batterie ait été débranché. En outre, lire attentivement les chapitres de sécurité dans le Manuel.

Toutes les procédures de maintenance programmées ou extraordinaires doivent être effectuées par un personnel qualifié ou un centre d'entretien agréé. Ce manuel ne décrit que les procédures d'entretien générales et communes.

CALENDRIER D'ENTRETIEN PROGRAMME**ATTENTION !**

La procédure, indiquée avec (1), doit être effectuée lorsque la machine est utilisée après 9 heures pour la première fois. La procédure indiquée par (2) doit être effectuée par le Centre de service qualifié par notre société.

Procédure	Quotidien, après chaque utilisation	Chaque semaine	Semestriellement	Chaque année
Chargement des batteries				
Nettoyage de l'embouchure				
Nettoyage de la brosse/du support de disque				
Nettoyage du réservoir				
Inspection du joint de couvercle du réservoir				
Nettoyage du filtre à flotteur				
Vérification et remplacement de la lamelle de l'embouchure				
Nettoyage du filtre à eau				
Nettoyage du filtre de solution				
Vérification du niveau de liquide de la batterie À LIQUIDE				
Inspection du serrage des vis et écrous			(1)	
Vérification ou remplacement des charbons du moteur de brosse				(2)
Vérification ou remplacement des charbons du moteur d'aspiration				(2)

CHARGEMENT DES BATTERIES**Procédures préliminaires**

1. Ouvrez le couvercle (C, Figure 12) et vérifiez que le réservoir d'eau de récupération (B) est vide, sinon videz-le avec le flexible de vidange (A).
2. Enlevez avec précaution le kit du réservoir de récupération (B, Figure 12).
3. Branchez le connecteur de batterie (D, Figure 12).
4. Remplacez avec précaution le kit du réservoir de récupération (B, Figure 12).
5. Poussez la machine sur un sol plat.
6. Appuyez sur l'interrupteur de démarrage (G, Figure 12).
7. Pour les batteries À LIQUIDE uniquement :
 - Vérifier le niveau d'électrolyte à l'intérieur des batteries (F) ; si nécessaire, faire l'appoint par les bouchons.
 - Laissez tous les bouchons de batterie ouverts pour la charge suivante.
 - Si nécessaire, nettoyez la surface supérieure des batteries (F).
8. Charger les batteries selon la procédure suivante.

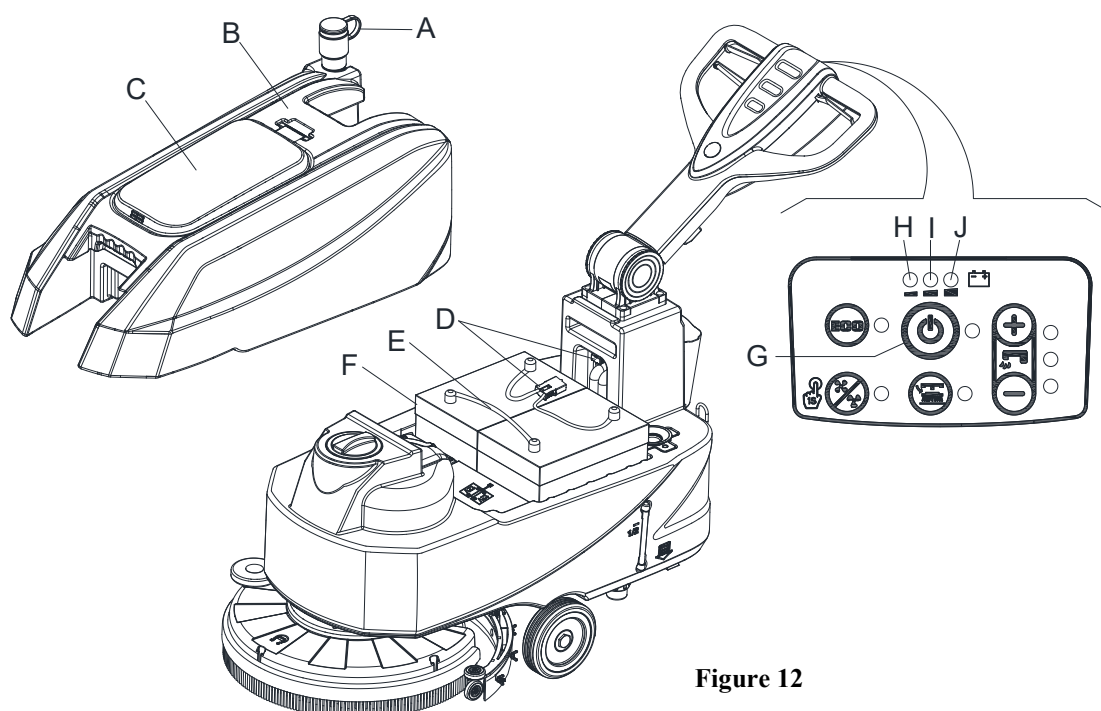


Figure 12

**REMARQUE**

Chargez les batteries lorsque les voyants d'avertissement jaune (I, Figure 12) ou rouge (H) s'allument ou lorsque vous avez terminé le nettoyage.

**ATTENTION !**

Le maintien de la charge des batteries prolonge leur durée de vie.

**ATTENTION !**

Lorsque les batteries sont déchargées, les charger dès que possible, puisque cette situation raccourcit leur durée de vie. Contrôler la charge des batteries au moins une fois par semaine.

**AVERTISSEMENT !**

Le chargement de batterie à liquide (avec entretien) produit des gaz d'hydrogène hautement explosifs. Charger les batteries dans des zones bien ventilées et à l'écart des flammes nues. Ne pas fumer pendant le chargement des batteries. Laisser le réservoir ouvert pendant le chargement des batteries.

**AVERTISSEMENT !**

Faire bien attention lors du chargement des batteries car il peut y avoir des fuites de liquides de batterie. Le liquide de batterie est corrosif. S'il entre en contact avec la peau ou les yeux, rincer abondamment à l'eau et consulter un médecin.

Charge de la batterie avec chargeur de batterie installé sur la machine

9. Branchez le câble du chargeur de batterie (C, Figure 13) sur le secteur (A) la tension et la fréquence du secteur doivent être compatibles avec les valeurs du chargeur de batterie indiquées sur la plaque de numéro de série de la machine (41, Figure 2). Lorsque le chargeur de batterie est branché sur le secteur, toutes les fonctions de la machine sont automatiquement coupées. Si le voyant d'avertissement rouge (E) du panneau de commande du chargeur de batterie reste allumé, cela signifie que le chargeur de batterie charge les batteries.
10. Lorsque le voyant d'avertissement vert (D) s'allume, la charge des batteries est terminée.
11. Une fois terminée la charge de la batterie, débranchez le câble du chargeur de batterie (C) de l'alimentation électrique (A) et enroulez-le autour de son boîtier (B).

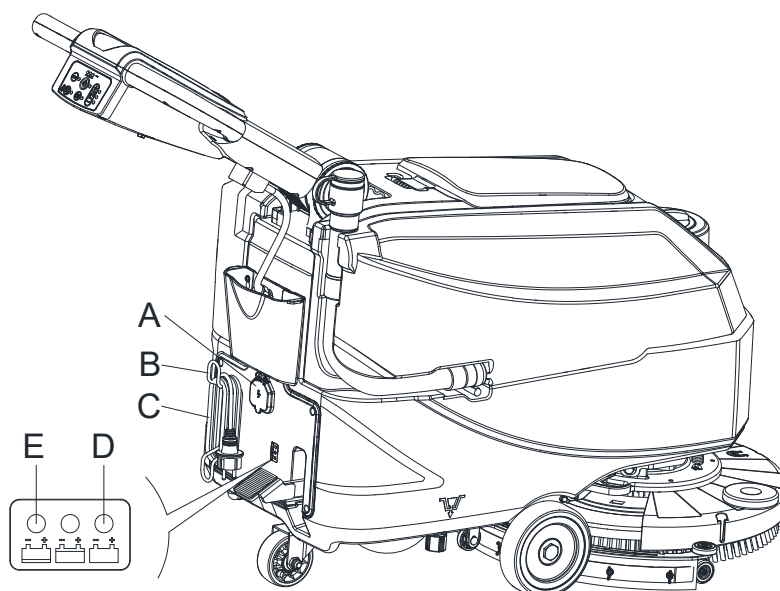


Figure 13

**REMARQUE**

Pour plus d'informations concernant le fonctionnement du chargeur de batterie, reportez-vous au manuel correspondant.

NETTOYAGE DE LA BROSSE/DU DISQUE**ATTENTION !**

Il est conseillé de porter des gants de protection lors du nettoyage de la brosse/disque, car il peut y avoir des débris pointus.

1. Retirer la brosse/disque de la machine, tel qu'indiqué au chapitre Utilisation.
2. Nettoyez et lavez la tête de lavage avec de l'eau et du détergent.
3. Contrôler que les brosses/disques sont en bon état et pas trop usés ; le cas échéant, les remplacer.

NETTOYAGE DU FILTRE DE SOLUTION

1. Poussez la machine sur un sol plat.
2. Vérifiez que la machine est arrêtée.
3. Vidange du réservoir de solution (Conseils).
4. Retirez le couvercle (D, Figure 14), puis retirez la crépine du filtre (E). Les nettoyer et les remettre sur le support (F).

**REMARQUE**

Le tamis du filtre (E) doit être bien placé sur le boîtier (H) du support (F).

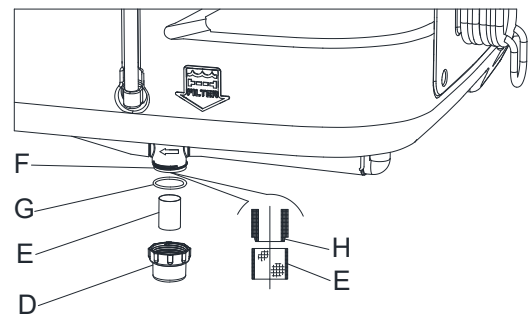


Figure 14

NETTOYAGE DE L'EMBOUCHURE**REMARQUE**

La raclette doit être propre et ses lames doivent être en bon état pour obtenir un bon séchage.

**ATTENTION !**

Il est conseillé de porter des gants de protection lors du nettoyage de l'embouchure, car il peut y avoir des débris pointus.

1. Pousser la machine sur un sol plat.
2. Vérifiez que la machine est arrêtée.
3. Abaissez la tête de lavage (M, Figure 8) et la raclette (L) en soulevant la pédale (K).
4. Déconnecter le tuyau d'aspiration (B, Figure 15) de la raclette (C).
5. Desserrez les boutons (D) et retirez la raclette (E).
6. Nettoyez la raclette en acier ou en plastique (E, Figure 15). Nettoyez en particulier les compartiments (I) et l'orifice (H). Vérifiez l'intégrité, la coupe et les déchirures des lames avant (F) et arrière (G) ; si nécessaire, remplacez-les (voir la procédure au paragraphe suivant).
7. Assembler l'embouchure dans l'ordre inverse de la dépose.

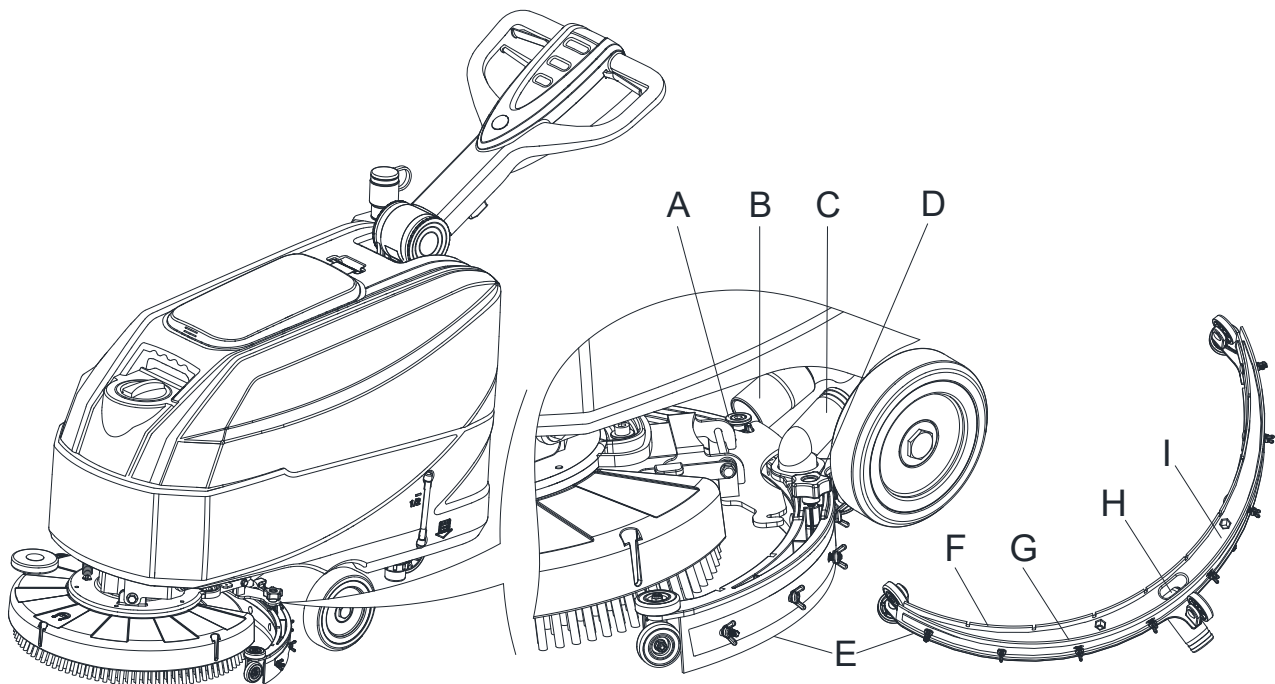
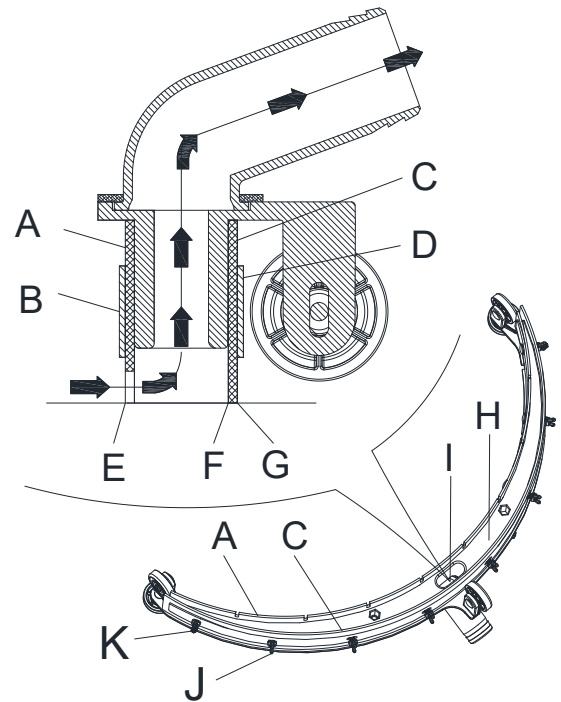


Figure 15

VÉRIFICATION ET REMPLACEMENT DE LA LAMELLE DE L'EMBOUCHURE

1. Nettoyez la raclette en acier ou en plastique, comme indiqué au paragraphe précédent.
2. Vérifiez que les bords (E, Figure 16) de la lame avant (A) et les bords (F) de la lame arrière (C) sont bien au même niveau sur toute leur longueur ; si nécessaire, réglez leur hauteur selon la procédure suivante :
 - Desserrez tous les écrous à ailettes (J) et réglez les lames avant (A) et arrière (C), puis serrez tous les écrous à ailettes.
3. Vérifiez l'usure, la coupe et les déchirures des lames avant (A) et arrière (C) ; si nécessaire, remplacez-les selon la procédure suivante. Vérifiez que les coins avant (E) ou arrière (F) ne sont pas usés ; si nécessaire, retournez la lame pour remplacer le coin usé par un coin intact. Si les autres coins sont usés, remplacer aussi la lamelle selon la procédure suivante :
 - Déposez tous les écrous à ailettes (J) et la vis (K), déposez la bande de retenue (B), puis remplacez/retournez la lame avant (A). Monter l'embouchure dans l'ordre inverse du démontage.
 - Déposez tous les écrous à ailettes (J) et la vis (K), déposez la bande de retenue (D), puis remplacez/retournez la lame arrière (C). Monter l'embouchure dans l'ordre inverse du démontage. Après le remplacement de la lame (ou son retournement), remontez la raclette comme indiqué à l'étape précédente.
4. Installez la raclette (E, Figure 15) et revissez les boutons (D, Figure 15).
5. Branchez le tuyau d'aspiration (B, Figure 15) à la raclette (C, Figure 15)

**Figure 16****NETTOYAGE DU RÉSERVOIR ET DE LA GRILLE D'ASPIRATION AVEC LE FLOTTEUR, VÉRIFICATION DU JOINT DE COUVERCLE**

1. Pousser la machine sur un sol plat.
2. Vérifiez que la machine est arrêtée.
3. Tournez le couvercle du réservoir de récupération (A, Figure 17) de 90 degrés pour le retirer, puis retirez le filtre à bille de flottement (B) du couvercle du réservoir de récupération.
4. Nettoyez le couvercle du réservoir de récupération (A), le réservoir de récupération (C), le réservoir de solution propre (D) et le filtre à bille de flottement (B). Videz le réservoir de récupération à l'aide du flexible de purge (D, Figure 11).
5. Installez le filtre à bille de flottement (B) et le couvercle du réservoir de récupération (A).
6. Inspecter l'intégrité de la bande d'étanchéité du réservoir.

**REMARQUE**

La bande d'étanchéité du réservoir (E) produit l'aspiration à l'intérieur du réservoir lorsque le moteur d'aspiration fonctionne. Le réservoir doit être hermétique pour pouvoir absorber efficacement l'eau du sol vers le réservoir de récupération.

DÉPANNAGE

Problème	Causes probables	Solution
Les moteurs ne fonctionnent pas ; aucun voyant d'avertissement ne s'allume.	Le connecteur de la batterie est déconnecté.	Connecter le connecteur de la batterie.
	Les batteries sont complètement déchargées.	Charger les batteries.
Les 3 indicateurs de charge de la batterie clignotent simultanément.	Surcharge du moteur de brosse.	Utilisez des brosses moins agressives
	Corps étrangers (filets emmêlés, etc.) qui peuvent empêcher la brosse de tourner.	Nettoyez le moyeu de la brosse.
Les brosses ne fonctionnent pas, le voyant d'avertissement rouge est allumé.	Les batteries sont déchargées.	Charger les batteries.
L'aspiration de l'eau de récupération est insuffisante.	Le réservoir de l'eau de récupération est plein.	Vider le réservoir.
	Le tuyau est déconnecté de l'embouchure.	Le connecter.
	La grille d'aspiration est obstruée ou le flotteur est bloqué en position fermée.	Nettoyer la grille ou contrôler le flotteur.
	La raclette est sale ou les lames de raclette sont usées ou endommagées.	Nettoyer et contrôler l'embouchure.
	Le couvercle du réservoir de récupération est mal fermé ou le joint est endommagé, ou le tube coudé est bouché.	Fermer le couvercle correctement, ou remplacer le joint ou nettoyer le tube Bend.
Le débit de solution aux brosses est insuffisant.	Le filtre de solution/eau claire est sale.	Nettoyer le filtre.
L'embouchure laisse des traces sur le sol.	Il y a des débris sous les lamelles de l'embouchure.	Retirer les débris.
	Les lamelles de l'embouchure sont usées, émoussées ou cassées.	Remplacer les lamelles.
	L'embouchure n'a pas été réglée avec le bouton.	Régler.

**REMARQUE**

La machine avec chargeur de batterie installé ne peut pas fonctionner si le chargeur n'est pas intégré. En cas de mauvais fonctionnement du chargeur de batterie, contacter un centre d'entretien agréé. Pour plus d'informations, reportez-vous au Manuel d'entretien, disponible dans n'importe quel Centre d'entretien.

RECYCLAGE

Effectuer le recyclage de votre machine par un centre agréé.

Avant que la machine ne soit détruite, veuillez à respecter la réglementation en vigueur pour les différents éléments qui la constituent.

- Batteries (option)
- Brosse/support disque
- Tuyau et pièces en plastique
- Composants électriques et électroniques (*)

(*) Veuillez contacter notre centre d'entretien en cas de destruction de tout composant électrique et électronique.

Composition matérielle de la machine et possibilité de recyclage

Type	% recyclable	AS4325B % de poids
Aluminium	100%	2 %
Moteurs électriques-divers	29%	23%
Matériaux en fer	100%	32%
Faisceau de câbles	80%	1%
Liquides	100%	0%
Plastique - matière non recyclable	0%	1%
Plastique - matière recyclable	100%	38%
Caoutchouc	20%	3%

ÍNDICE

INTRODUCCIÓN	52
PROPÓSITO Y CONTENIDOS DE ESTA GUÍA	52
CÓMO GUARDAR EL MANUAL DE INSTRUCCIONES DE USO	52
DECLARACIÓN DE CONFORMIDAD	52
ACCESORIOS Y MANTENIMIENTO.....	52
CAMBIOS Y MEJORAS	52
ÁMBITO DE APLICACIÓN	52
DATOS DE IDENTIFICACIÓN DE LA MÁQUINA.....	52
TRANSPORTE Y DESEMBALAJE	53
SEGURIDAD	53
SÍMBOLOS VISIBLES EN LA MÁQUINA.....	53
SÍMBOLOS QUE APARECEN EN EL MANUAL DE INSTRUCCIONES DE USO.....	53
INSTRUCCIONES GENERALES DE SEGURIDAD	54
DESCRIPCIÓN DE LA MÁQUINA	56
CONSTRUCCIÓN DE LA MÁQUINA (como se indica en Figura 1).....	56
PANEL DE CONTROL (como se indica en la Figura 2).....	57
VENTANA DE VISUALIZACIÓN DEL INDICADOR LUMINOSO DEL CARGADOR (como se indica en la Figura 2).....	57
DIMENSIONES DE LA MÁQUINA	58
PARÁMETROS TÉCNICOS.....	59
ESQUEMA ELÉCTRICO	60
GUÍA DE FUNCIONAMIENTO	61
VERIFICACIÓN/CONFIGURACIÓN DE LA BATERÍA EN UNA MÁQUINA NUEVA	61
INSTALACIÓN DE LA BATERÍA Y CONFIGURACIÓN DEL TIPO DE BATERÍA (WET O GEL/AGM).....	62
INSTALACIÓN Y EXTRACCIÓN DEL CEPILLO/PORTA-PAD.....	64
INSTALACIÓN Y EXTRACCIÓN DE LA BOQUILLA	65
LLENAR EL DEPÓSITO DE SOLUCIÓN O AGUA DE LAVADO.....	66
PUESTA EN MARCHA Y PARADA DE LA MÁQUINA	66
CONDUCCIÓN DE LA MÁQUINA (FREGAR Y SECAR).....	67
VACIAR LOS DEPÓSITOS	68
DESPUÉS DEL USO DE LA MÁQUINA	68
INACTIVIDAD PROLONGADA DE LA MÁQUINA.....	69
PRIMER PERÍODO DE USO.....	69
MANTENIMIENTO	69
TABLA DE MANTENIMIENTO PROGRAMADO.....	69
CARGA DE LA BATERÍA	70
LIMPIEZA DE LOS CEPILLOS/PADS	71
LIMPIEZA DEL FILTRO DE LA SOLUCIÓN	72
LIMPIEZA DE LA BOQUILLA.....	72
CONTROL Y SUSTITUCIÓN DE LOS LABIOS DE LA BOQUILLA	73
REJILLA DEL DEPÓSITO Y DE LA ASPIRACIÓN CON LIMPIEZA DEL FLOTADOR E INSPECCIÓN DE LA GOMA DE LA TAPA.....	73
ACCESORIOS/OPCIONES.....	74
RESOLUCIÓN DE PROBLEMAS	75
DESGUACE	75

INTRODUCCIÓN



NOTA

Los números entre paréntesis hacen referencia a los componentes que se muestran en la sección Descripción de la Máquina.

PROPÓSITO Y CONTENIDOS DE ESTA GUÍA

El propósito del presente Manual de Instrucciones de Uso es proporcionar al operador toda la información básica, los datos técnicos, el funcionamiento, el almacenamiento, las piezas de repuesto, las condiciones de seguridad etc.

Antes de efectuar cualquier operación en la máquina, los operadores y los técnicos calificados tienen que leer cuidadosamente el Manual de Instrucciones de Uso. En caso de dudas sobre la correcta interpretación de las instrucciones, contacte con nuestra empresa para obtener más información.

CÓMO GUARDAR EL MANUAL DE INSTRUCCIONES DE USO

El manual de instrucciones de uso debe conservarse junto a la máquina, dentro de su contenedor, lejos de líquidos y otras sustancias que podrían dañarlo.

DECLARACIÓN DE CONFORMIDAD

La Declaración de conformidad se suministra con la máquina y certifica la conformidad de la máquina con la ley vigente.



NOTA

Las copias de la declaración de conformidad original se proporcionan junto con la documentación de la máquina.

ACCESORIOS Y MANTENIMIENTO

Todos los procedimientos de operación, mantenimiento y reparación necesarios deben ser realizados por personal calificado o por los centros de servicio designados de nuestra empresa. SOLO se permite el uso de accesorios y piezas de repuesto originales.

Póngase en contacto con el servicio de atención al cliente de nuestra empresa por cualquier servicio o compra de accesorios o piezas de repuesto según necesario.

CAMBIOS Y MEJORAS

Estamos comprometidos con la mejora continua de nuestros productos, y la empresa se reserva el derecho de aportar cambios y mejoras al producto sin aviso previo.

ÁMBITO DE APLICACIÓN

La fregadora está destinada al uso comercial e industrial. Es apropiada para la limpieza de suelos lisos y sólidos, cuando es utilizada por personal calificado en condiciones de seguridad. No es apta para el uso al aire libre o para la limpieza de alfombras o suelos ásperos.

DATOS DE IDENTIFICACIÓN DE LA MÁQUINA

El número de serie y el modelo de la máquina aparecen marcados en la etiqueta de serie.

Esta información es útil. Utilice la siguiente tabla para anotar los datos de identificación de la máquina a la hora de comprar piezas de repuesto para la máquina.

MODELO DE LA MÁQUINA.....

NÚMERO DE SERIE DE LA MÁQUINA

TRANSPORTE Y DESEMBALAJE

Cuando el transportista entrega la máquina, asegúrese de que el embalaje y la máquina se encuentran enteros y sin daños. En caso de daños, avise al transportista dicha situación, antes de aceptar las mercancías para reservarse el derecho de indemnización.

Al desembalar la máquina siga estrictamente las instrucciones en el embalaje.

Compruebe el paquete y asegúrese de que los siguientes artículos están incluidos:

1. Documentación técnica que incluye las instrucciones de uso y el catálogo de piezas.
2. Componentes de conexión de la batería.
3. Manual del cargador de baterías electrónico (si está en dotación) (*)

SEGURIDAD

Los siguientes símbolos indican situaciones potencialmente peligrosas. Siempre lea atentamente esta información y tome todas las precauciones necesarias para salvaguardar a las personas y las propiedades.

SÍMBOLOS VISIBLES EN LA MÁQUINA

¡ADVERTENCIA!

Lea detenidamente todas las instrucciones antes de realizar cualquier operación en la máquina.



¡ADVERTENCIA!

No lave la máquina con chorros directos o agua a presión.



¡ADVERTENCIA!

No utilice la máquina en pendientes con un grado de inclinación superior al que se define en la especificación.

SÍMBOLOS QUE APARECEN EN EL MANUAL DE INSTRUCCIONES DE USO

¡PELIGRO!

Indica una situación peligrosa con riesgo de muerte para el operador.



¡ADVERTENCIA!

Indica un riesgo potencial de lesiones a las personas.



¡ATENCIÓN!

Indica una advertencia o una nota relacionada con funciones importantes o útiles. Preste atención a los párrafos marcados con este símbolo.



NOTA

Indica una observación relacionada con funciones importantes o útiles.



CONSULTA

Indica la necesidad de consultar el manual de instrucciones de uso antes de realizar cualquier procedimiento.

INSTRUCCIONES GENERALES DE SEGURIDAD

Advertencias y precauciones específicas para informar acerca de los posibles daños a las personas y a la máquina se muestran a continuación.

**¡PELIGRO!**

- Esta máquina debe ser operada por personal capacitado y autorizado de acuerdo con las instrucciones del manual.
- Antes de realizar cualquier procedimiento de limpieza, mantenimiento, reparación o sustitución, lea todas las instrucciones con cuidado, asegúrese de apagar la máquina y desconectar el conector de la batería.
- No utilice la máquina cerca de polvos, líquidos o vapores tóxicos, peligrosos, inflamables y/o explosivos. Esta máquina no es adecuada para la recogida de polvos peligrosos.
- Quítese las joyas cuando trabaje cerca de los componentes eléctricos.
- No trabajar bajo la máquina levantada si ésta no está fijada con los soportes de seguridad adecuados.
- Cuando se usan baterías de plomo (WET), en condiciones de uso normales estas pueden emitir gases inflamables por lo que hay que mantener las chispas, llamas, materiales humeantes y radiantes, objetos iluminadores y ardientes lejos de las baterías.
- Durante la carga, las baterías de plomo (WET) pueden emitir gas hidrógeno que es explosivo. Asegúrese de que el entorno de la carga está bien ventilado y lejos de llamas potenciales.

**¡ADVERTENCIA!**

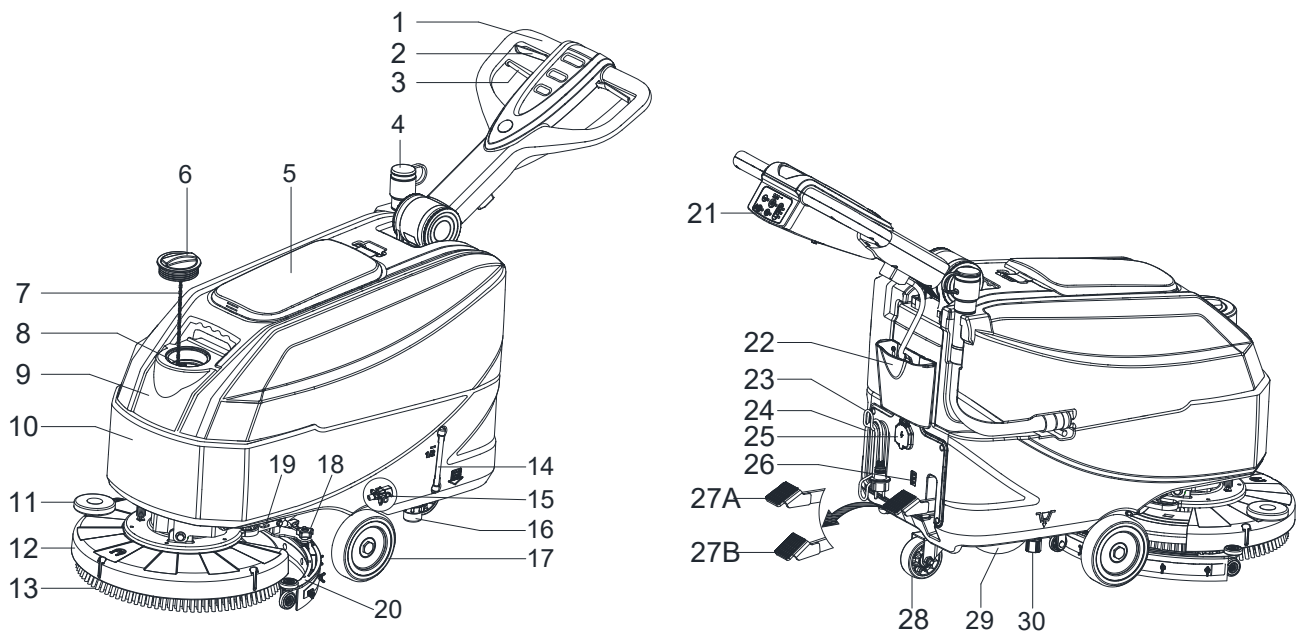
- Esta máquina es para USO COMERCIAL, por ejemplo en hoteles, colegios, hospitales, fábricas, tiendas y oficinas y negocios de alquiler.
- Las máquinas desatendidas deberán estar protegidas ante cualquier movimiento involuntario.
- Para evitar usos no autorizados de la máquina, la fuente de energía debe apagarse o bloquearse, por ejemplo quitando la llave del interruptor principal o la llave de encendido.
- Inspeccione cuidadosamente la máquina antes de cada uso. Asegúrese de que todos los componentes se encuentran montados seguramente antes de su uso. Los componentes sueltos podrían producir daños a las personas y a las propiedades.
- Antes de utilizar el cargador de baterías, asegúrese de que los valores de frecuencia y voltaje indicados en la etiqueta del número de serie de la máquina coincidan con los de la red eléctrica.
- Nunca mueva la máquina tirando del cable del cargador de la batería. Evite que el cable de carga se dañe con el cierre de puertas o en esquinas afiladas. No conduzca la máquina sobre el cable del cargador de la batería. Mantenga el cable del cargador de la batería lejos de superficies calientes.
- No cargue las baterías si el cable o el enchufe del cargador de la batería están dañados.
- Para reducir el riesgo de incendio, descargas eléctricas o lesiones, asegúrese de que la máquina está apagada antes de salir.
- Utilice o guarde la máquina en interiores en condiciones secas, no está permitido usarla al aire libre.
- La temperatura tanto de almacenamiento como de funcionamiento de la máquina debe ser entre 0 °C y +40 °C, la humedad del aire debe oscilar entre 30% y 95%.
- No utilice la máquina en pendientes con un grado de inclinación superior al que se define en la especificación.
- Durante el uso y manipulación de detergentes de limpieza de suelos, siga las instrucciones en las etiquetas del detergente y use guantes y protecciones adecuadas.
- Utilice cepillos y pads suministrados con la máquina o definidos en el manual. El uso de otros cepillos o pads podría reducir la seguridad.
- Cuando la máquina no funciona correctamente, asegúrese de que esto no sea causado por falta de mantenimiento. Si es necesario, solicite la asistencia del personal autorizado o se un Centro de asistencia autorizado.
- Tomar todas las precauciones necesarias para que el pelo, las joyas y las ropas no sean capturados por las partes móviles de la máquina.
- No usar la máquina en ambientes demasiado polvorientos.
- No lave la máquina con chorros directos o presurizados de agua, o con sustancias corrosivas.
- No chocar contra estanterías o andamios de los que puedan caer objetos.
- No poner recipientes de líquidos sobre la máquina, usar el portabebidas.
- Para evitar daños en el suelo, no permita que el cepillo/pad funcione mientras la máquina está parada.
- En caso de incendio, use un extintor de polvo seco. No utilice extintores líquidos.

- **No retire o modifique las pegatinas de la máquina.**
- **No manipule las protecciones de seguridad de la máquina y siga escrupulosamente las instrucciones para el mantenimiento programado.**
- **Tener cuidado durante el traslado de la máquina en condiciones de temperatura muy baja. El agua en el depósito de recuperación o en los tubos podría congelarse y dañar la máquina.**
- **Si deben sustituirse piezas, solicite piezas de repuesto ORIGINALES a un Concesionario y/o Revendedor autorizado.**
- **Lleve la máquina al Centro de asistencia si no funciona como de costumbre o está en condiciones de haber sido dañada, dejada al aire libre, caída al agua.**
- **Para garantizar el funcionamiento correcto y seguro de la máquina, el mantenimiento programado que se muestra en el capítulo correspondiente de este manual, debe ser realizado por el personal autorizado o un Centro de asistencia autorizado.**
- **La máquina debe desecharse de forma adecuada, debido a la presencia de materiales tóxicos dañinos (baterías, etc.), que están sujetos a las normas que requieren la eliminación en centros especiales (véase capítulo Desguace).**
- **Esta máquina es una herramienta de limpieza y no sirve para ningún otro propósito.**
- **Las aperturas deben mantenerse libre de polvo, hilacha, pelos y cualquier otro cuerpo extraño que pueda reducir el flujo de aire. No utilice la máquina si los orificios están obstruidos.**
- **Usar la máquina sólo en áreas con suficiente iluminación.**
- **Esta máquina no debe ser utilizada por personas (incluidos niños) con capacidades físicas, sensoriales o mentales reducidas, o con falta de experiencia y conocimientos.**
- **Tener mucho cuidado cuando se utiliza cerca de niños.**
- **Los niños deben ser supervisados para asegurarse de que no jueguen con el aparato.**
- **Cuando se usa esta máquina, tener cuidado de salvaguardar la incolumidad de personas y cosas.**
- **Los niños no pueden efectuar limpieza y mantenimiento de la máquina sin supervisión adecuada.**
- **Los operadores deberán haber recibido la capacitación adecuada para usar este tipo de máquinas.**

DESCRIPCIÓN DE LA MÁQUINA**CONSTRUCCIÓN DE LA MÁQUINA (como se indica en Figura 1)**

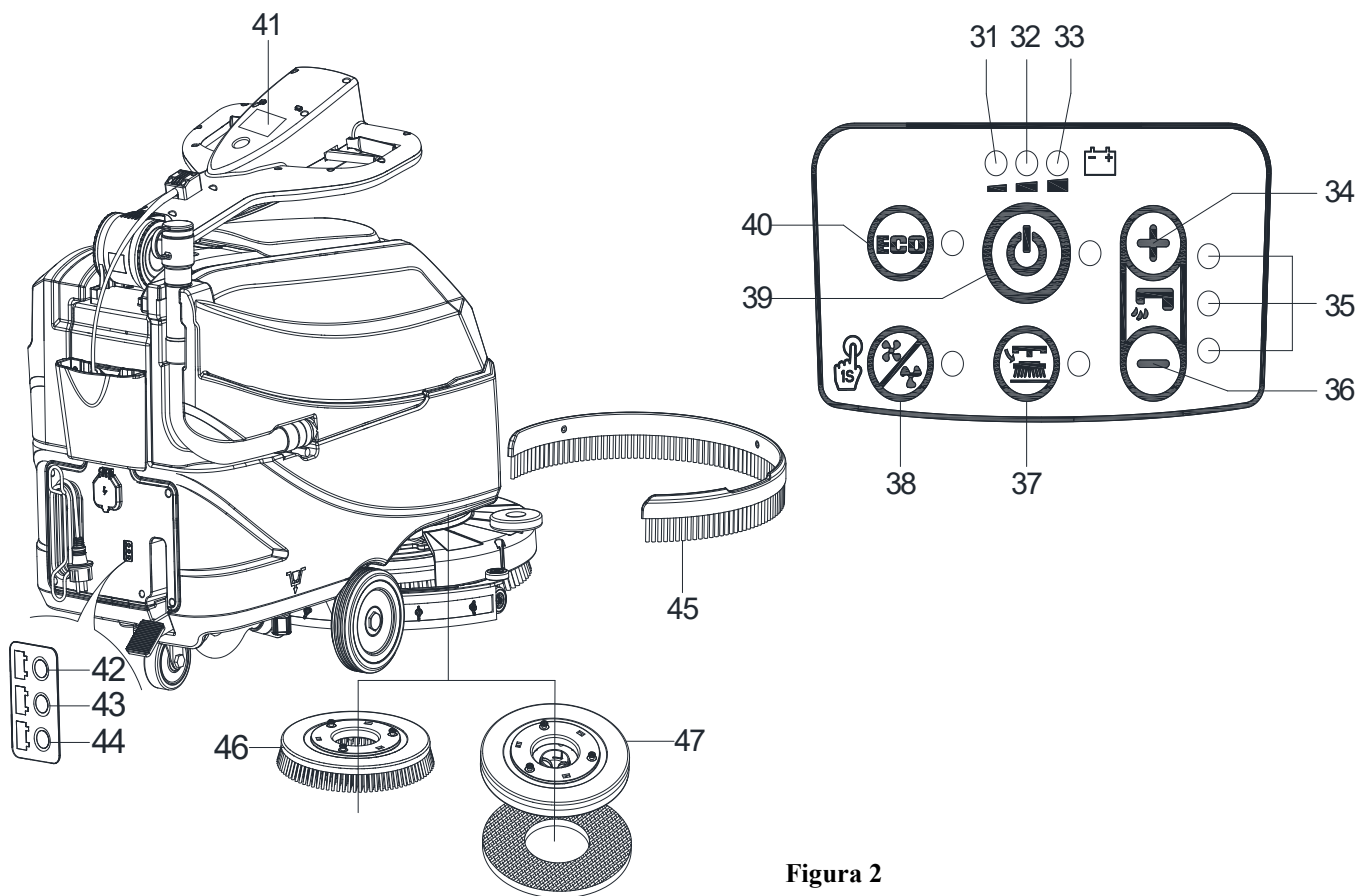
1. Manillar
2. Palanca del interruptor de seguridad
3. Palanca de ajuste del manillar
4. Tubo de descarga del agua de recuperación
5. Tapa del depósito de recuperación
6. Tapa del agua fresca
7. Cadena de sujeción de la tapa
8. Boca de la manguera de llenado
9. Depósito de recuperación
10. Depósito de la solución detergente
11. Rueda del parachoques del cabezal portacepillos
12. Cabezal del cepillo/porta-pad
13. Cepillo/porta-pad
14. Manguera del nivel de solución
15. Electroválvula
16. Filtro de la solución detergente
17. Ruedas delanteras
18. Reguladores de la boquilla
19. Palanca de subida de la boquilla
20. Grupo boquilla
21. Panel de control
22. Caja de las piezas accesorias (*)
23. Soporte para el cable de alimentación
24. Cable de alimentación
25. Tapa de seguridad del conector de carga
26. Luces de señal de carga
27. Pedal de elevación/descenso del cabezal
 - e) Posición del pedal cuando el cabezal está bajado
 - f) Posición del pedal cuando el cabezal está elevado
28. Rueda pivotante
29. Tubo de descarga del agua de recuperación
30. Tapa de salida

(*) Opcional

**Figura 1**

PANEL DE CONTROL (como se indica en la Figura 2)

- | | |
|--|--|
| 31. Luz de aviso de batería descargada (roja) | 41. Placa número de serie/datos técnicos |
| 32. Luz de aviso de batería semi-descargada (amarilla) | 42. LED de carga rojo |
| 33. Luz de aviso de batería cargada (verde) | 43. LED de carga amarillo |
| 34. Interruptor de aumento del flujo | 44. LED de carga verde |
| 35. Indicador del flujo de solución | 45. Faldón (*) |
| 36. Interruptor de disminución de flujo | 46. Cepillo |
| 37. Interruptor de liberación del cepillo/porta-pad | 47. Porta-pad (*) |
| 38. Modelo motor de aspiración normal | |
| 39. Un botón de arranque | |
| 40. Modo ECO | (*): Opcional |

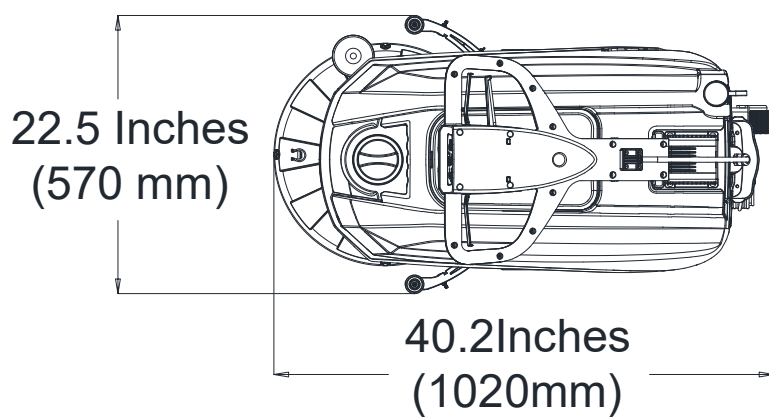
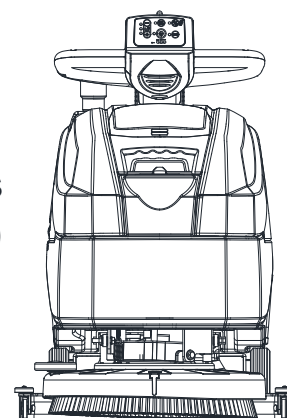
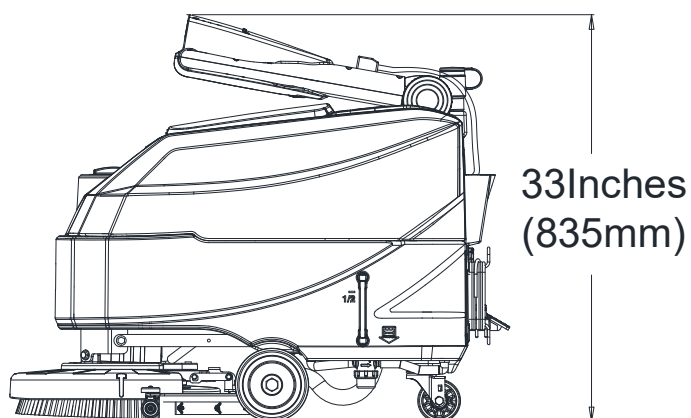
**Figura 2****VENTANA DE VISUALIZACIÓN DEL INDICADOR LUMINOSO DEL CARGADOR (como se indica en la Figura 2)**

1. Cuando comienza la carga, el LED rojo (42) del cargador se ilumina normalmente. Es la primera etapa de la carga.
2. Tras un tiempo de carga, el LED rojo (42) se apaga y el LED amarillo (43) se ilumina, esta es la segunda etapa de la carga.
3. Una vez que se ha completado la carga, el LED amarillo (43) se apaga y el LED verde (44) se ilumina para indicar que la batería está completamente cargada.

**NOTA**

Cuando se está realizando la carga, si el LED amarillo (48) del cargador parpadea, puede indicar: La batería y cargador no coinciden, la batería no se conecta bien, o la salida tiene un cortocircuito. El parpadeo del LED rojo puede ser causado por un cortocircuito interno en el cargador.

DIMENSIONES DE LA MÁQUINA

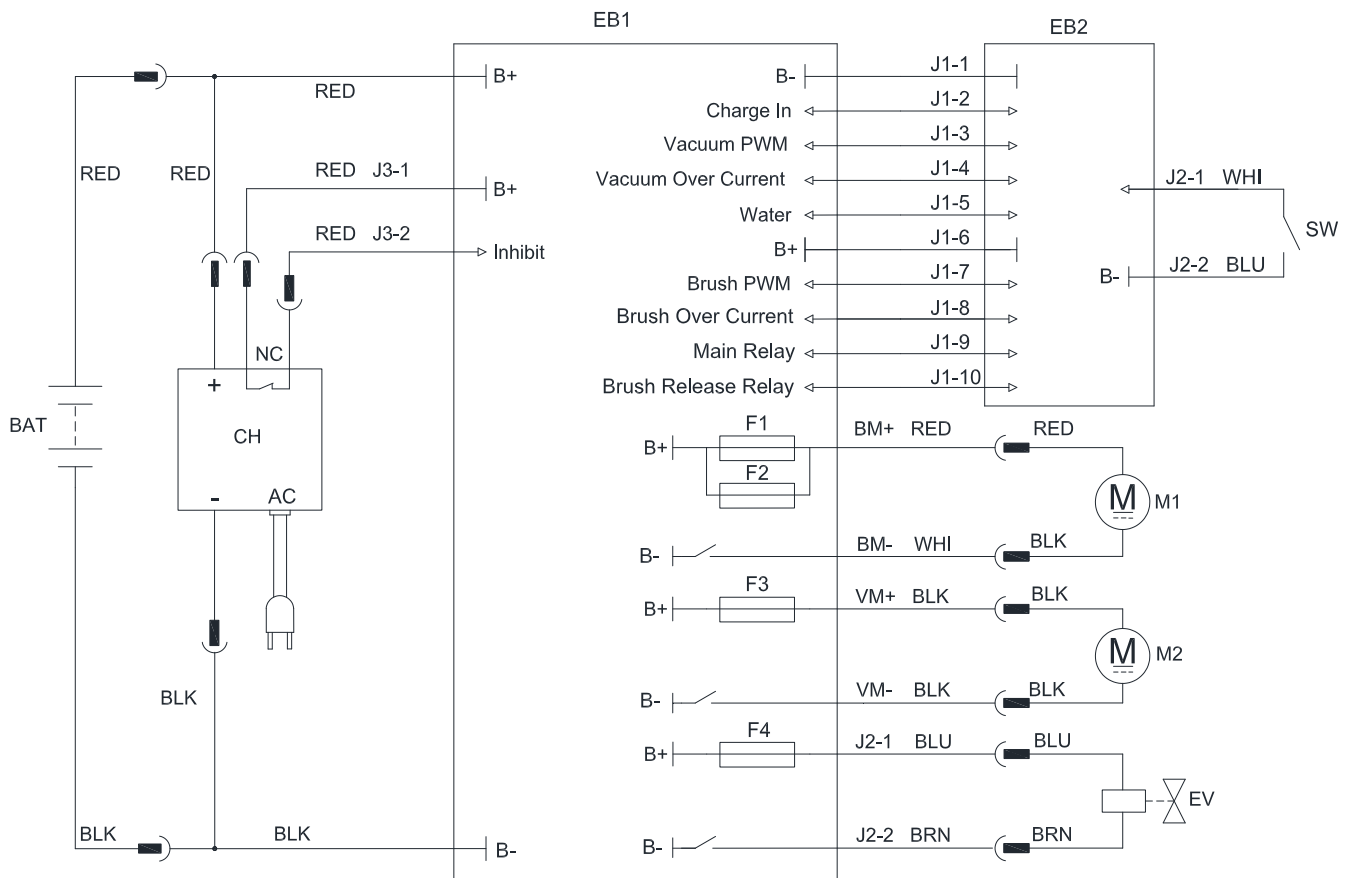


PARÁMETROS TÉCNICOS

Tipos de parámetros	Unidades	Modelo
		AS4325B
Capacidad del depósito de la solución detergente	L / Gal	25 L / 6,6 Gal.
Capacidad del depósito de recuperación	L / Gal	25 L / 6,6 Gal.
Longitud de la máquina	mm/pulg.	1020 mm/40,1 pulg.
Anchura de la máquina con boquilla	mm/pulg.	570 mm/22,4 pulg.
Anchura de la máquina sin boquilla	mm/pulg.	485 mm/19,1 pulg.
Altura de la máquina (sin la empuñadura)	mm/pulg.	647 mm/25,5 pulg.
Altura de la máquina (con la empuñadura vertical)	mm/pulg.	1182 mm/46,5 pulg.
Ancho de trabajo	mm/pulg.	432 mm/17 pulg.
Diámetro ruedas de tracción	mm/pulg.	153 mm/6 pulg.
Diámetro de la rueda trasera	mm/pulg.	89 mm/3,5 pulg.
Diámetro cepillo/pad	mm/pulg.	432 mm/17 pulg.
Presión del cepillo/pad (máx.)	kg/lbs.	19 Kg / 41,8 lbs
Flujo de la solución detergente (máx) por configuración	L / Gal por minuto	(0,59/0,69/1,11/1,68) Litros (0,16/0,18/0,29/0,44) Galones
Nivel de potencia acústica	dB (A)	69 ± 3 dB (A)
Nivel de potencia acústica en modalidad ECO o en modalidad silenciosa	dB (A)	65 ± 3 dB (A)
Nivel de vibración asa (máx)	m/s ²	< 2,5 m/s ²
Capacidad de ascenso (máx.)	% grados	2%
Potencia del motor de aspiración	Watt/H.P.	300 W/0,4 HP
Capacidad de aspiración	mm/pulg. de H ₂ O	900 mm/35,4 pulg. de H ₂ O
Capacidad de aspiración en modalidad ECO o en modalidad silenciosa	mm/pulg. de H ₂ O	650 mm/25,6 pulg. de H ₂ O
Potencia del motor del cepillo	Watt/H.P.	400 Watt / 0,54 HP
Velocidad cepillos en modalidad normal	RPM	140 RPM
Velocidad cepillos en modalidad ECO	RPM	100 RPM
Grado de protección IP	IP	IP24
Tamaño del compartimento de las baterías (L x W x H)	mm/pulg.	(265 x 350 x 230) mm/10,4 x 13,8 x 9,1 pulg.
Voltaje	CD	24 V
Baterías (*)	Ah	85Ah C20 / 67Ah C5
Tiempo de funcionamiento de la batería (baterías estándares) (*)	Horas	Hasta 4 horas
Cargador de a bordo (*)	Volt/Amp	24V 10A
Productividad (máx)	m ² /h	12,000 pies cuadrados/h (1115 m ² /h)
Peso de la máquina con los depósitos vacíos (sin baterías)	kg/lbs.	58 Kg / 128 Lbs
Peso total de la máquina	kg/lbs.	134 Kg / 295 Lbs
Peso de transporte	kg/lbs.	137 Kg / 302 Lbs
Dimensiones embalaje (Lx W x H)	mm/pulg.	(1130 x 730 x 1040 mm) / (44.5 x 28.7 x 41 pulgadas)

(*) Opcional

ESQUEMA ELÉCTRICO



COMPONENTS		COMPONENTS		Comment	
BAT	24V Battery	SW	Handle Switch	1	RED-Red
CH	Battery Charger	F1	Brush Motor Fuse	2	BLK-Black
EB1	Control Board	F2	Brush Motor Fuse	3	BRN-Brown
EB2	Dashboard	F3	Vacuum Motor Fuse	4	WHI-white
M1	Brush Motor	F4	Solution Valve Fuse	5	BLU-Blue
M2	Vacuum Motor				
EV	Solution Valve				

GUÍA DE FUNCIONAMIENTO



¡ADVERTENCIA!

En algunos lugares de la máquina se encuentran algunas placas adhesivas que indican:

- ¡PELIGRO!
- ¡ADVERTENCIA!
- ¡ATENCIÓN!
- CONSULTA

Durante la lectura de este manual, el operador debe prestar especial atención a los símbolos que aparecen en las placas. No cubra estas placas por cualquier motivo y reemplácelas inmediatamente si están dañadas.

VERIFICACIÓN/CONFIGURACIÓN DE LA BATERÍA EN UNA MÁQUINA NUEVA



¡ADVERTENCIA!

Los componentes eléctricos de la máquina pueden resultar seriamente dañados si las baterías están mal instaladas o conectadas. Las baterías deben ser instaladas solamente por personal cualificado. Ajuste de la función de la tarjeta electrónica funciones y del cargador de baterías, según el tipo de batería utilizado (WET o GEL/AGM). Antes de instalar las baterías, controlar que no estén dañadas. Desconecte el conector de batería y el enchufe el cargador de batería. Manipule las baterías con gran cuidado. Instale las tapas de protección de los terminales de las baterías suministradas con la máquina.



NOTA

La máquina requiere dos baterías de 12 V, conectadas según el diagrama (Figura 3).

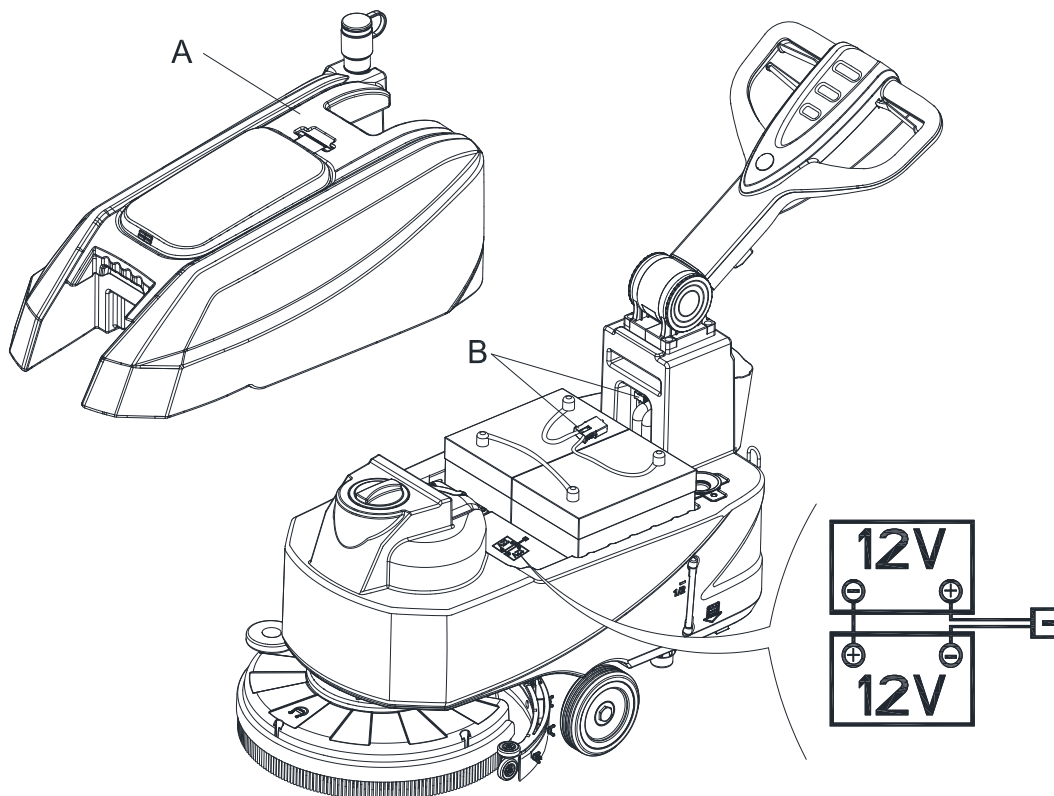


Figura 3

La máquina se entrega en uno de los siguientes modos:

A) Las baterías (WET o de GEL/AGM) están ya instaladas y cargadas

1. Compruebe si las baterías están conectadas a la máquina mediante el conector (B, Figura 3).
2. Pulse el interruptor (39 Figura 2). Si la luz verde de advertencia (33) está encendida, las baterías están completamente cargadas. Si se ilumina la luz de advertencia amarilla (32) o roja (31), las baterías deben cargarse (consulte el procedimiento en el capítulo Mantenimiento).

B) Sin baterías

1. Compre baterías apropiadas (véase el párrafo Datos Técnicos).
2. Para escoger e instalar las baterías, acudir a un Revendedor calificado.
3. Configure la máquina y el cargador de baterías de acuerdo con el tipo de baterías (WET o de GEL/AGM), tal y como se indica en el siguiente párrafo.

INSTALACIÓN DE LA BATERÍA Y CONFIGURACIÓN DEL TIPO DE BATERÍA (WET O GEL/AGM)

Según el tipo de baterías (WET o GEL/AGM), configure la máquina y la tarjeta electrónica del cargador de baterías del modo siguiente:

Configuración de la máquina

Cuando el botón de arranque S3 está apagado, pulse contemporáneamente los botones + y - del volumen de agua (S5 y S6), 0,5 segundos después, LED1, LED2 y LED3 siguen iluminados para ingresar la configuración del modo de la batería:

1. Después pulse volumen de agua + o - para cambiar entre «WET», «GEL/AMG» y «DIS-EV». La luz roja está encendida en el modo «WET». Y en el modo «GEL/AGM», la luz es verde. En «DIS-EV», la luz es amarilla.
2. Pulse el botón de arranque para terminar la configuración y salir, apague la máquina para guardar y actualizar todas las configuraciones de la batería cuando está encendida, seguirá trabajando como ha sido configurada.



NOTA

La batería predeterminada es del tipo GEL/AGM.

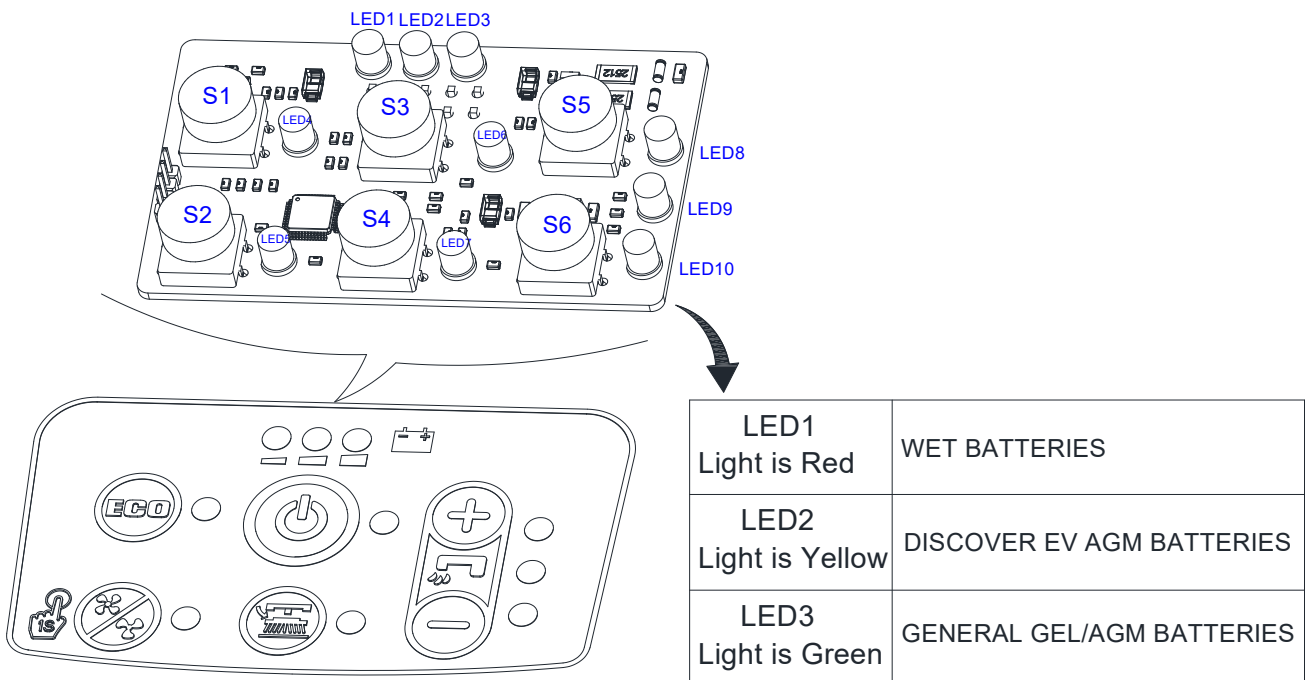


Figura 4

Instalación de las baterías

3. Abra la tapa del depósito de recogida (5, Figura 1) y compruebe si el depósito de recogida (9, Figura 1) está vacío; de lo contrario, vacíelo mediante la manguera de desagüe. (4, Figura 1)
4. Cierre la tapa del depósito de recogida (5, Figura 1).
5. Mueva el kit del depósito de recogida con cuidado (A, Figura 3).
6. La máquina se entrega con los cables adecuados para instalar 2 baterías de 12V. Coloque con cuidado las baterías en el compartimento y a continuación instélaslas correctamente.
7. Pase e instale el cable de las baterías como se indica (en la Figura 3), luego apriete cuidadosamente la tuerca en cada uno de los terminales de la batería.
8. Coloque la tapa de protección encima de cada borne, luego conecte el conector de las baterías (B, Figura 3).
9. Vuelva a colocar con cuidado el kit del depósito de recogida (A, Figura 3).

Carga de la batería

10. Cargar las baterías. (Véanse los procedimientos en el capítulo de mantenimiento).



¡ATENCIÓN!

¡Desconecte la alimentación de la máquina antes de realizar cualquiera de los procedimientos siguientes!

Configuración del cargador de baterías

11. Quite los tornillos (A, B, C, Figura 4.1).
12. Abra el cargador y busque sw1 (D, Figura 4.1).
13. Configure los interruptores del modo indicado en la tabla de la Figura 4.1.
14. Coloque los tornillos (A, B, C, Figura 4.1) después de haber completado la configuración.

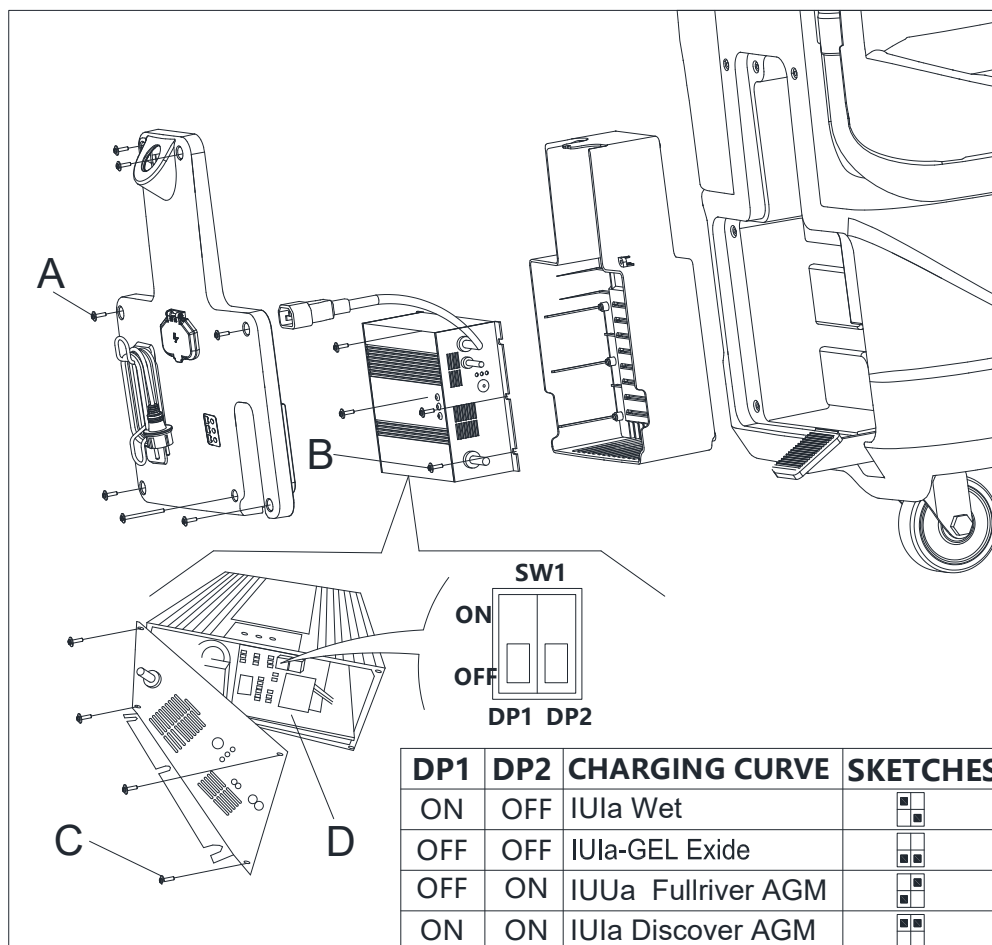


Figura 4.1

INSTALACIÓN Y EXTRACCIÓN DEL CEPILLO/PORTA-PAD

**NOTA**

Instale el cepillo (A, Figura 5) o el portapad (B y C, Figura 5) según el tipo de suelo a limpiar.

**¡ATENCIÓN!**

Antes de la instalación o extracción del cepillo o porta-pad, asegúrese de que todos los interruptores de la máquina están en posición off y la boquilla y el cabezal del cepillo/porta-pad estén levantados del suelo. El operador debe estar equipado con dispositivos de protección como guantes para reducir el riesgo de accidentes. Siga las instrucciones:

1. Corte la alimentación (39, Figura 2).
2. Levante el cabezal pisando el pedal (27, Figura 1).
3. Coloque los cepillos (A, Figura 5) o el porta-pad (B, Figura 5) debajo del cabezal (12, Figura 1).
4. Baje el cabezal en los cepillos/porta-pads pisando el pedal (27, Figura 1).
5. Pulse el interruptor de arranque (39, Figura 2).
6. Pulse una de las palancas del interruptor de seguridad del cepillo/marcha adelante (2, Figura 1) para enganchar el cepillo/porta-pad y después suéltela. Si es necesario, repita el procedimiento hasta que los cepillos/porta-pads estén enganchados.
7. Si el paso anterior n.6 es difícil de realizar, utilice el método manual girando el cepillo/porta-pad en la dirección opuesta a la dirección de giro normal, para poder quitarlo. (como se indica en la Figura 5)

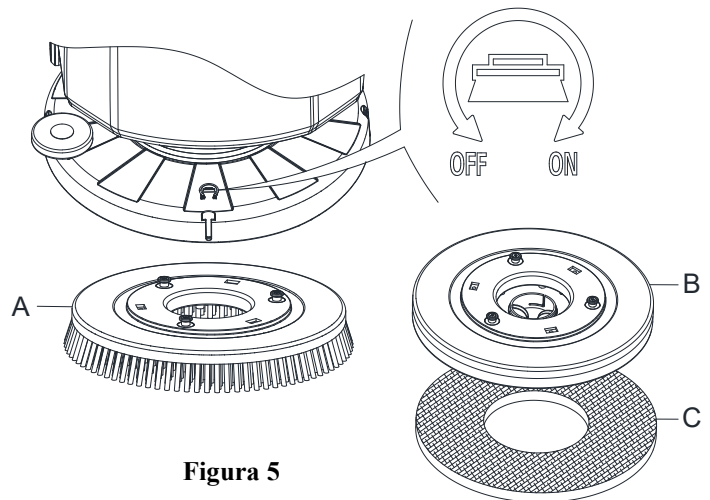


Figura 5

**¡ADVERTENCIA!**

Para enganchar el cepillo/porta-pad, presione la palanca del interruptor del seguridad (2, Figura 1) que se enciende en el motor del cepillo/porta-pad.

8. Para retirar el cepillo/porta-pad, levante el cabezal pisando el pedal (27, Figura 1) y a continuación presione el interruptor (37, Figura 2) y el cepillo/porta-pad se soltará.

INSTALACIÓN Y EXTRACCIÓN DE LA BOQUILLA



¡ATENCIÓN!

Es aconsejable usar guantes de protección para instalar y quitar el grupo boquilla, dada la posible presencia de residuos cortantes.

1. Empuje la máquina hacia una superficie nivelada.
2. Asegúrese de que la máquina está apagada.
3. Baje el cabezal del cepillo/porta-pad (12, Figura 1) levantando el pedal (36), cepillo en el suelo.
4. Coloque la boquilla entre el cabezal del cepillo y la rueda delantera.
5. Fije el taco A en la apertura B, después fije el otro tornillo C para abrir D, sujete el regulador de la boquilla y conecte el tubo de descarga del agua de recuperación F al conector E (Figura 6).
6. Desconecte la boquilla realizando los pasos en orden inverso al de desmontaje.

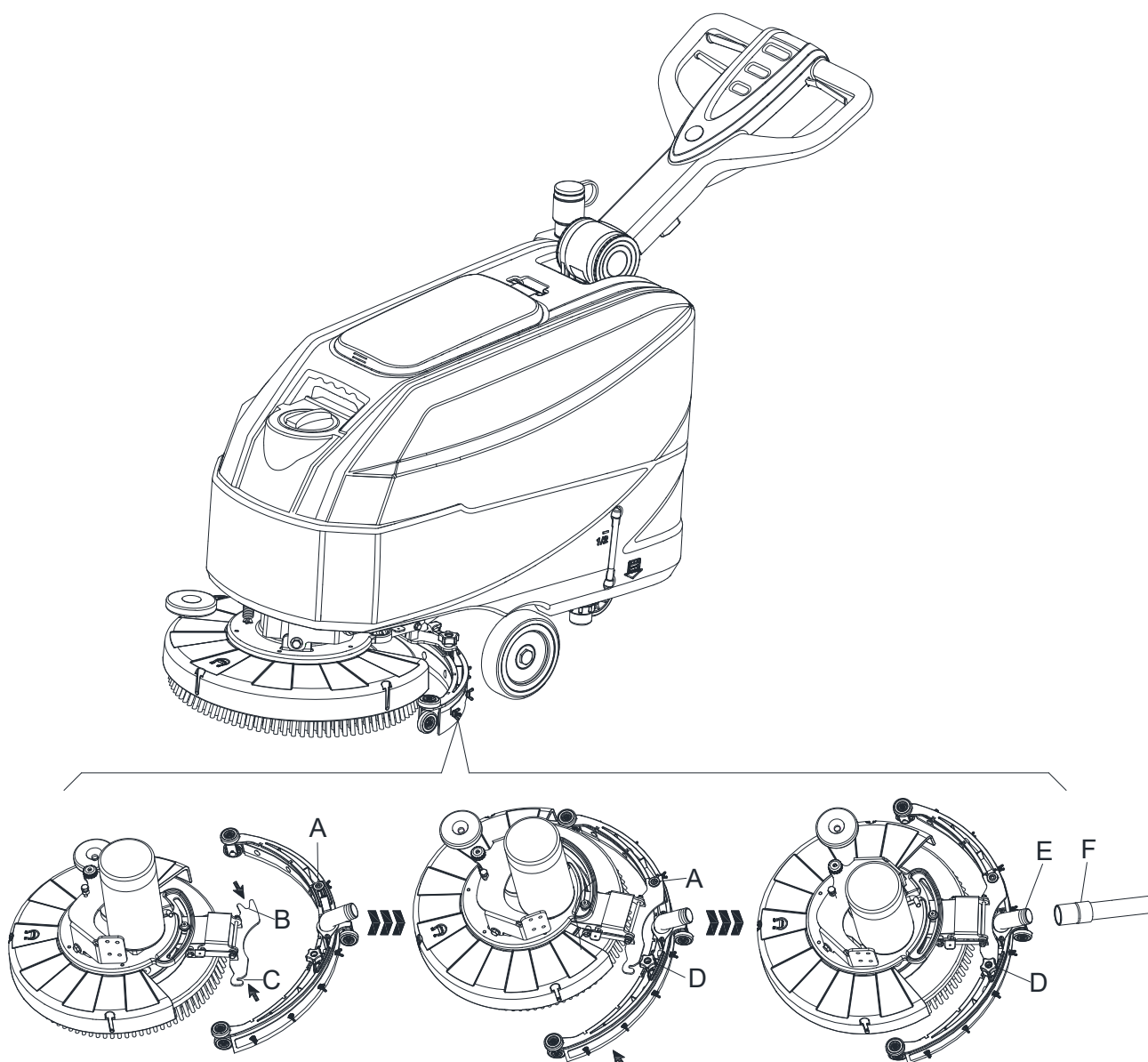


Figura 6

LLENAR EL DEPÓSITO DE SOLUCIÓN O AGUA DE LAVADO

1. Abra la tapa de entrada del agua (A, Figura 7).
2. Llene con agua o con una solución apropiada para el trabajo que se tiene que realizar.
La temperatura de la solución no debe superar los +104°F (40°C).
3. No llene demasiado el depósito, refiérase al indicador del nivel de agua (B, Figure 7) en cuanto al volumen del agua.

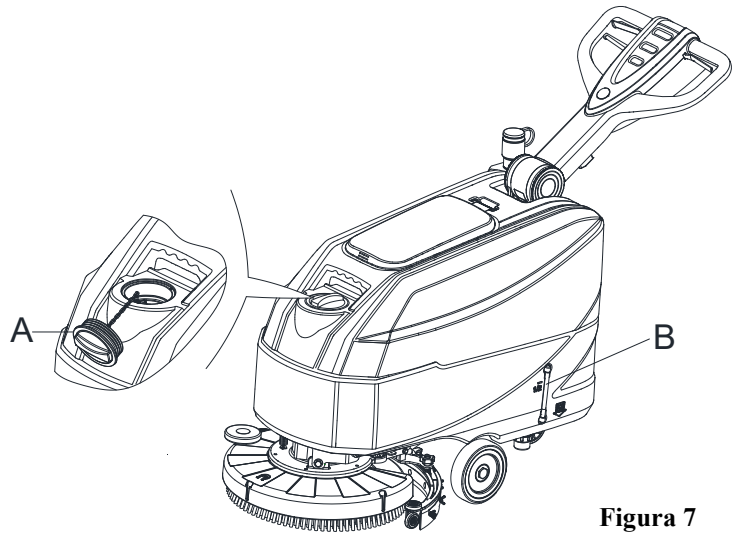


Figura 7



¡ADVERTENCIA!

Utilice solo detergentes no inflamables y de baja espuma, indicados para el uso en fregadoras automáticas.

PUESTA EN MARCHA Y PARADA DE LA MÁQUINA

Puesta en marcha de la máquina

1. Preparar la máquina como indicado en el párrafo antecedente.
2. Empuje la máquina hacia la zona que se quiere limpiar, empujándolo con las manos el manillar (I, Figura 8).
3. Baje el cabezal del cepillo/porta-pad (M, Figura 8) y la boquilla (L) levantando el pedal (K).
4. Pulse el interruptor de arranque (G, Figura 8). Compruebe si la luz de advertencia verde (C) se ilumina (batería cargada). Si se ilumina la luz de advertencia amarilla (B) o roja (A), cierre el interruptor de encendido (G, Figura 8) y cargue las baterías (consulte el procedimiento en el capítulo Mantenimiento).
5. Pulse los interruptores de control del flujo de agua de lavado (D, Figura 8), según sea necesario, dependiendo del tipo de limpieza a realizar.
6. Empiece a limpiar empujando la máquina con las manos usando el manillar (I) y presionando la palanca del interruptor de seguridad.

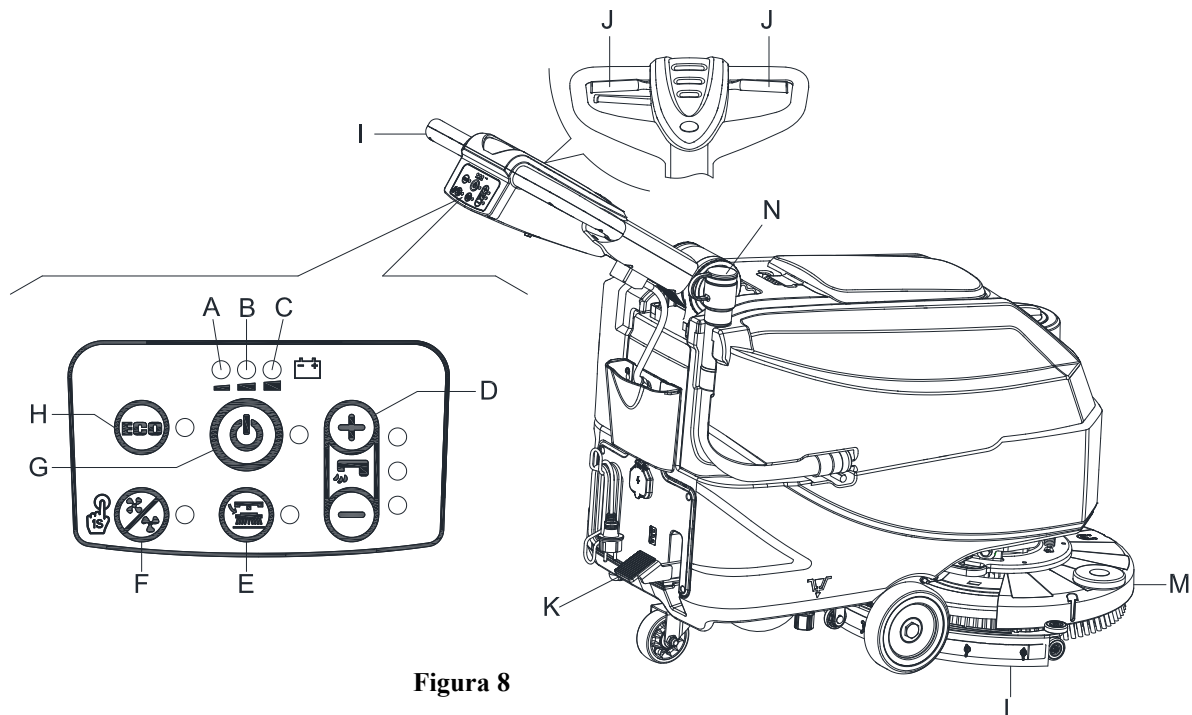


Figura 8

**NOTA**

Para la marcha adelante, pulse la palanca del interruptor de seguridad (J, Figura 8) derecha o izquierda, o ambas.

- Si es necesario, presione la palanca de ajuste del manillar (3, Figura 1) para ajustar la altura del manillar.

Parada de la máquina

- Detenga la máquina usando el manillar (I).
- Pare los cepillos y el sistema de aspiración al pulsar el interruptor (G). El sistema de aspiración se detiene al cabo de algunos segundos.
- Levante el cabezal del cepillo/porta-pad (M) y la boquilla (L) levantando el pedal (K).
- Asegurarse de que la máquina no pueda moverse de forma autónoma.

CONDUCCIÓN DE LA MÁQUINA (FREGAR Y SECAR)

- Ponga la máquina en marcha como se indica en los párrafos anteriores.
- Mientras mantiene ambas manos en el manillar, presione la palanca del interruptor de seguridad (J, Figura 8), después maniobre la máquina e inicie el fregado/secado del suelo.

**NOTA**

Para el fregado/secado correcto de los suelos en los lados de las paredes, se sugiere aproximarse a las paredes con el lado derecho de la máquina (A y B, Figura 9) como se indica en la figura.

**¡ATENCIÓN!**

Para evitar cualquier daño a la superficie del suelo, apague los cepillos/porta-pad cuando la máquina se detiene en un lugar, especialmente cuando la función de presión extra está activa.

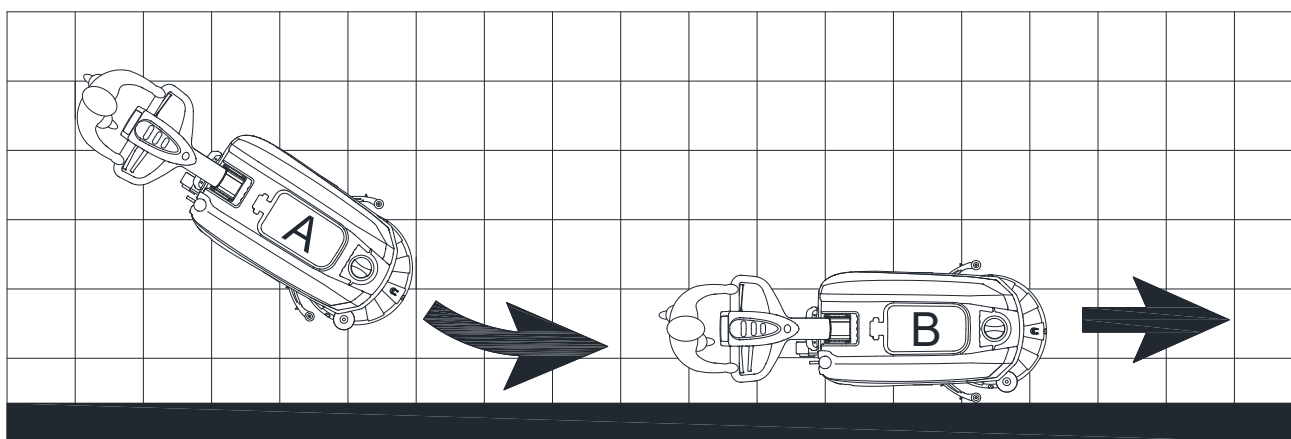


Figura 9

Descarga de la batería durante el funcionamiento

Cuando la luz de advertencia verde (C, Figura 8) permanece encendida, las baterías permiten el funcionamiento normal de la máquina. Cuando se apaga la luz de advertencia verde (C) y se enciende la luz de advertencia amarilla (B), es aconsejable cargar las baterías porque la carga remanente durará solo unos pocos minutos (según las características de la batería y la tarea a realizar). Si la luz roja de advertencia (A) está encendida, las baterías están completamente descargadas. Después de unos segundos, el cepillo/porta-pad se apaga automáticamente.

**¡ATENCIÓN!**

No use la máquina con las baterías descargadas, para evitar que se dañen y se reduzca su vida útil.

VACIAR LOS DEPÓSITOS

Un sistema de cierre del flotador automático (B, Figura 10) bloquea el sistema de aspiración cuando el depósito de agua sucia (C) está lleno. La desactivación del sistema de aspiración se indica mediante un aumento repentino en la frecuencia de ruido del motor del sistema de aspiración, y también el suelo no se seca.

**¡ATENCIÓN!**

Si el sistema de aspiración se apaga accidentalmente (por ejemplo, cuando el flotador se activa debido a un movimiento brusco de la máquina), para reanudar la operación: apague el sistema de aspiración pulsando el interruptor (G, Figura 8), a continuación, abra la tapa (A, Figura 10) y compruebe que el flotador dentro de la rejilla (B) ha bajado al nivel del agua. Luego cierre la tapa (A) y ponga en marcha el sistema de aspiración pulsando el interruptor (G, Figura 8).

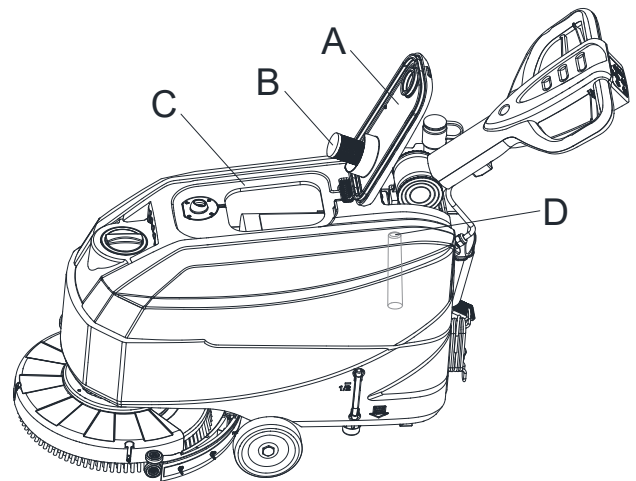


Figura 10

Cuando el depósito de agua sucia (C, Figura 10) está lleno, vacíelo de acuerdo con el siguiente procedimiento.

Vaciar el depósito de agua sucia

1. Parar la máquina.
2. Levante el cabezal del cepillo/porta-pad (M, Figura 8) y la boquilla (L) pisando el pedal (K).
3. Empuje la máquina hacia el área de eliminación designada.
4. Vacíe el depósito de recuperación con el tubo (N, Figura 8). Luego, enjuague el depósito de recogida (C, Figura 10) con agua limpia.
5. Quite la tapa del depósito de recogida (A, Figura 10) y limpie el interior de la tapa y la rejilla del flotador del filtro (B) con agua limpia.
6. Controle el depósito de recogida (D, Figura 10) para ver si hay cuerpos extraños y después límpielo.

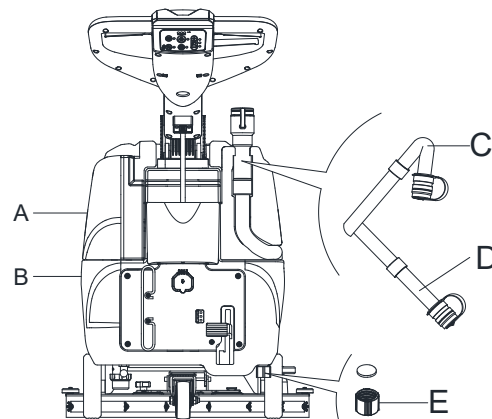


Figura 11

**¡ATENCIÓN!**

Al vaciar el agua residual, el tubo de aspiración de los residuos se debe doblar (C, Figura 11) y bajar a una posición más baja (D, Figura 11), a continuación, abra la tapa del tubo de aspiración de residuos para vaciar el agua. Evite que la boca del tubo de aspiración de residuos esté orientada hacia arriba para drenar el agua verticalmente. Esto es para prevenir que las aguas residuales salpiquen al operador.

7. Realice los pasos 1 a 4.

Vaciar el depósito de solución/agua limpia

8. Vacíe el depósito de solución detergente con la tapa de salida (E, Figura 11). Después del uso, enjuague el depósito con agua limpia.

DESPUÉS DEL USO DE LA MÁQUINA

Después de usar, antes de guardar la máquina:

1. Retire los cepillos/porta-pads.
2. Vacíe los depósitos (A y B, Figura 11) tal y como se indica en el párrafo anterior.
3. Lleve a cabo los procedimientos de mantenimiento diario (véase el capítulo Mantenimiento).
4. Guarde la máquina en un lugar limpio y seco, con los cepillos/porta-pads y la boquilla levantados o desmontados.

INACTIVIDAD PROLONGADA DE LA MÁQUINA

Si la máquina no va a ser utilizado durante más de 30 días, proceda de la siguiente manera:

1. Realice los procedimientos que se muestran en el párrafo Después del uso de la máquina.
2. Desconecte el conector de la batería (B, Figura 3).

PRIMER PERÍODO DE USO

Después de las primeras 8 horas, compruebe si los elementos de sujeción y unión de la máquina están bien apretados e inspeccione las partes visibles en busca de desgaste y fugas.

MANTENIMIENTO**¡ADVERTENCIA!**

Los procedimientos de mantenimiento deben ser realizados cuando la máquina está apagada y el cable del cargador de la batería está desconectado. Además, lea atentamente los capítulos de seguridad en el manual.

Todos los procedimientos de mantenimiento programado o extraordinario deben ser realizados por personal cualificado o un Centro de asistencia autorizado. Este manual sólo describe los procedimientos de mantenimiento generales y comunes.

TABLA DE MANTENIMIENTO PROGRAMADO**¡ATENCIÓN!**

El procedimiento marcado con (1) debe realizarse 9 horas después del primer uso de la máquina. El procedimiento marcado con (2) debe ser realizado por el Centro de asistencia designado por nuestra empresa.

Procedimiento	Diario, después de cada uso	Semanal	Cada 6 meses	Anualmente
Carga de la batería				
Limpieza de la boquilla				
Limpieza del cepillo/porta-pad				
Limpieza de los depósitos				
Inspección de las tiras de sellado de los depósitos				
Limpieza del filtro con flotador de bola				
Control y sustitución de los labios de la boquilla				
Limpieza del filtro de agua				
Limpieza del filtro de la solución				
Control del nivel de líquido de la batería WET				
Inspección de los tornillos y tuercas			(1)	
Inspeccionar o reemplazar la escobilla de carbón del cepillo/porta-pad				(2)
Inspeccionar o reemplazar la escobilla de carbón del motor de aspiración				(2)

CARGA DE LA BATERÍA**Operaciones preliminares**

1. Abra la tapa (C, Figura 12) y controle que el depósito de recogida del agua (B) esté vacío, de lo contrario vacíelo mediante el tubo de descarga (A).
2. Mueva con cuidado el kit del depósito de recogida (B, Figura 12).
3. Conecte el conector de la batería (D, Figura 12).
4. Vuelva a colocar con cuidado el kit del depósito de recogida (B, Figura 12).
5. Empujando la máquina a una superficie nivelada.
6. Pulse el interruptor de arranque (G, Figura 12).
7. Solo para las baterías WET:
 - Controle el nivel de electrolitos dentro de las baterías (F); si es necesario, llénelas mediante los tapones.
 - Deje todos los tapones de las baterías abiertos para la siguiente carga.
 - Si es necesario, limpie la superficie superior de las baterías (F).
8. Cargar las baterías mediante el procedimiento siguiente.

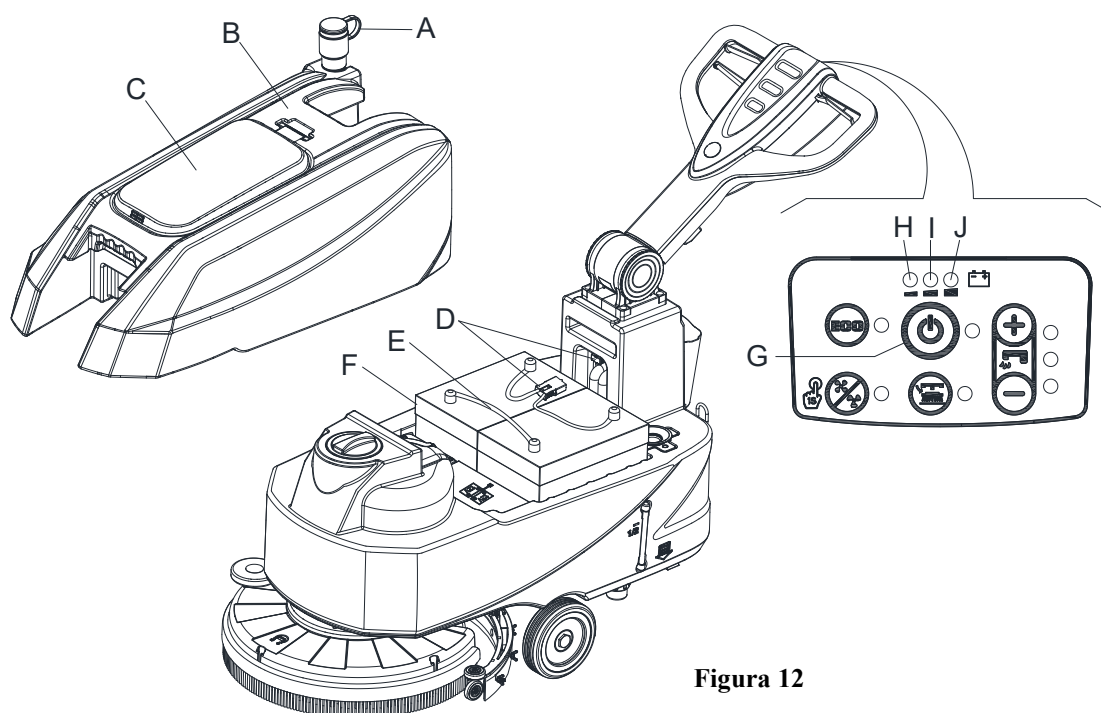


Figura 12

**NOTA**

Cargar las baterías cuando la luz de advertencia amarilla (I, Figura 12) o roja (H) están encendidas o cuando haya terminado la limpieza.

**¡ATENCIÓN!**

Si se mantienen las baterías cargadas, su durabilidad aumenta.

**¡ATENCIÓN!**

No dejar las baterías descargadas durante mucho tiempo, porque su durabilidad podría reducirse. Controlar la carga de las baterías por lo menos una vez por semana.



¡ADVERTENCIA!

Cargando las baterías WET se produce gas hidrógeno muy explosivo. Cargar las baterías sólo en áreas bien ventiladas y lejos de llamas libres. No fume mientras recarga las baterías. El depósito debe permanecer abierto mientras se cargan las baterías.



¡ADVERTENCIA!

Durante la carga tener mucho cuidado que el líquido de las baterías no sobresalga. Este líquido es corrosivo. En caso de contacto con la piel o los ojos lavar a conciencia con agua y consultar un médico.

Carga de la batería con el cargador de baterías instalado en la máquina

9. Conecte el cable del cargador de la batería (C, Figura 13) en la red eléctrica (A), la frecuencia y la tensión eléctrica deben ser compatibles con los valores del cargador de baterías de la placa que indica el número de serie de la máquina (41, Figura 2). Cuando el cargador de baterías está conectado a la red eléctrica, todas las funciones de la máquina se paran automáticamente. Si la luz de advertencia roja (E) en el panel de control del cargador de baterías sigue encendida, el cargador de baterías está cargando las baterías.
10. Si la luz verde de advertencia (D) se enciende, significa que se ha completado la carga de la batería.
11. Una vez realizada la carga completa de la batería, desconecte el cable del cargador de la batería (C) de la red eléctrica (A) y enróllelo alrededor de su alojamiento (B).

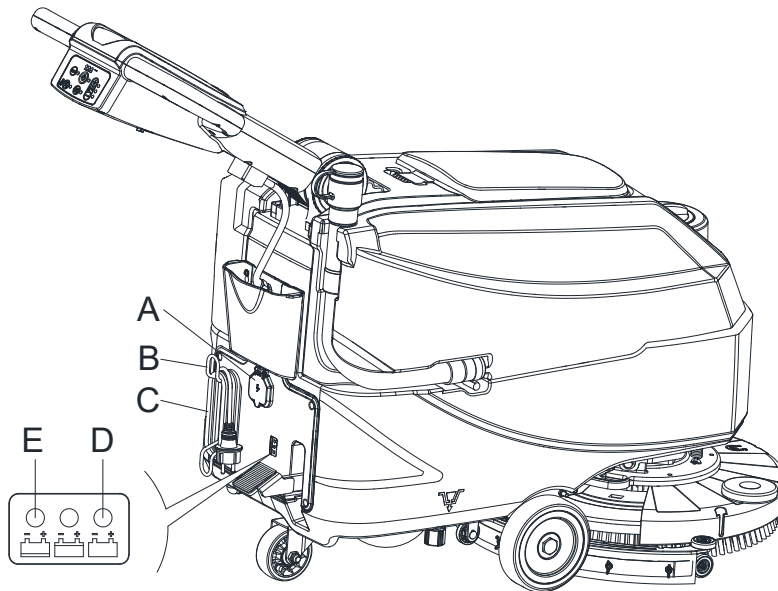


Figura 13



NOTA

Para más información sobre el funcionamiento del cargador de baterías, véase el manual respectivo.

LIMPIEZA DE LOS CEPILLOS/PADS



¡ATENCIÓN!

Durante estas operaciones se recomienda usar guantes de trabajo, porque residuos cortantes podrían estar en el cepillo/pad.

1. Quite el cepillo/pad de la máquina como indicado en el capítulo Uso.
2. Limpie y lave el cepillo/pad con agua y detergente.
3. Controle que los cepillos/pads están en buenas condiciones de funcionamiento y no excesivamente desgastados; de lo contrario, sustitúyelos.

LIMPIEZA DEL FILTRO DE LA SOLUCIÓN

1. Empujando la máquina a una superficie nivelada.
2. Asegúrese de que la máquina está apagada.
3. Vacíe el depósito de solución (consejo).
4. Quite la tapa (D, Figura 14), luego quite la rejilla filtrante (E). Limpíarlas y montarlas en el soporte (F).

**NOTA**

Coloque correctamente la rejilla filtrante (E) en el alojamiento (H) del soporte (F).

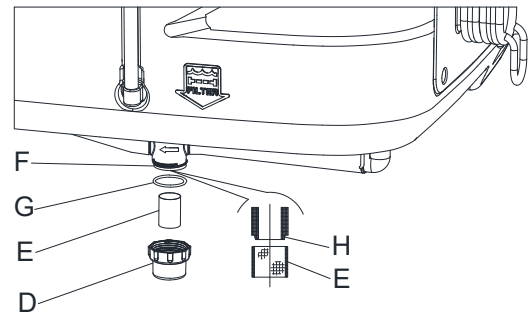


Figura 14

LIMPIEZA DE LA BOQUILLA**NOTA**

La boquilla debe estar limpia igual que los labios deben estar en buenas condiciones para obtener un buen secado.

**¡ATENCIÓN!**

Es aconsejable usar guantes de protección al limpiar la boquilla, ya que puede haber escombros cortantes.

1. Empuje la máquina hacia una superficie nivelada.
2. Asegúrese de que la máquina está apagada.
3. Baje el cabezal del cepillo/porta-pad (M, Figura 8) y la boquilla (L) levantando el pedal (K).
4. Desconecte el tubo de aspiración (B, Figura 15) de la boquilla (C).
5. Afloje los reguladores (D) y retire la boquilla (E).
6. Limpie la boquilla de acero o de plástico (E, Figura 15). Limpie los compartimientos (I) y especialmente el orificio (H). Controle que el labio delantero (F) y el trasero (G) estén en buenas condiciones, que no presenten cortes ni desgarros; de lo contrario, sustitúyalos (véase el procedimiento en el párrafo siguiente).
7. Ensamble la boquilla en orden contrario al desmontaje.

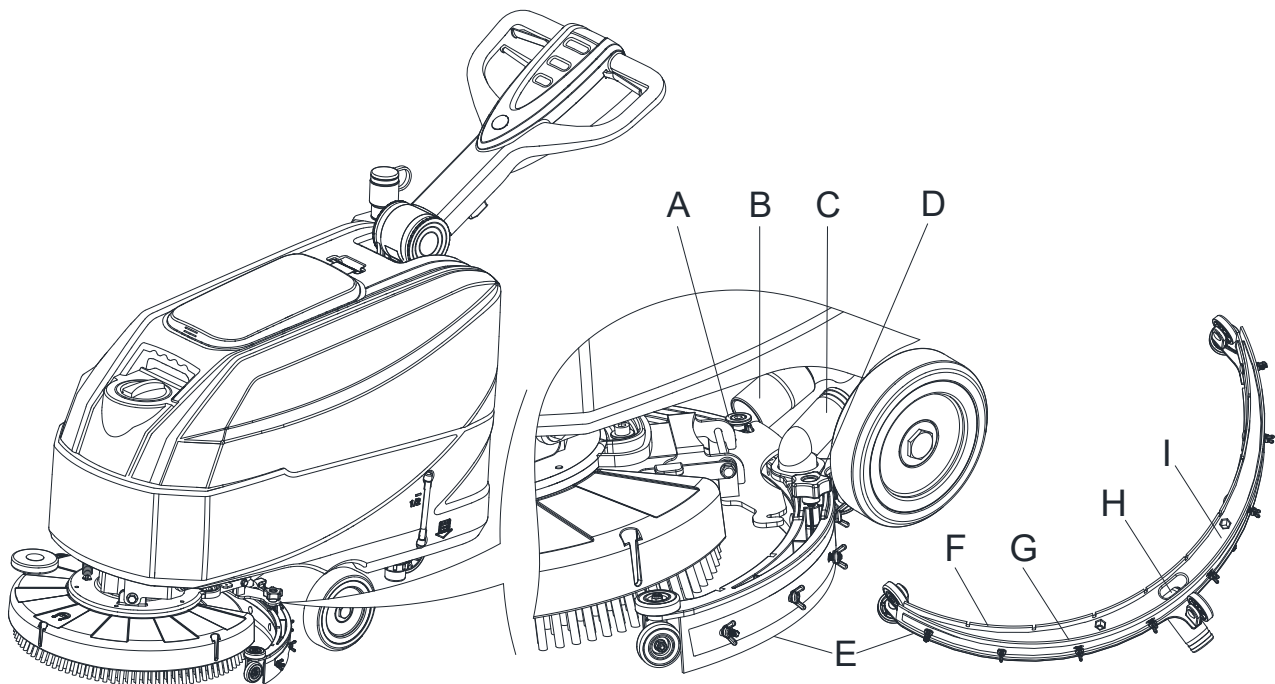
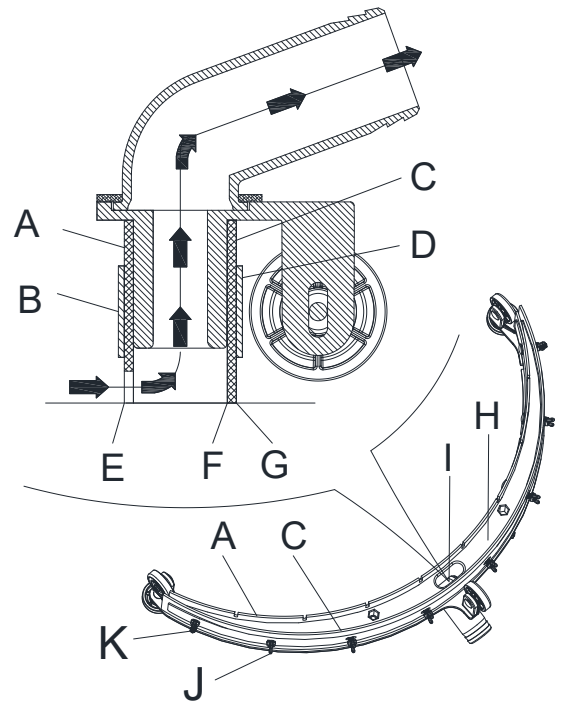


Figura 15

CONTROL Y SUSTITUCIÓN DE LOS LABIOS DE LA BOQUILLA

1. Limpie la boquilla de acero o de plástico, tal y como se indica en el párrafo anterior.
2. Compruebe si los bordes (E, Figura 16) del labio delantero (A) y los bordes (F) del labio trasero (C) están en el mismo nivel, a lo largo de su longitud; si es necesario, ajuste su altura según el siguiente procedimiento:
 - Afloje las tuercas de mariposa (J) y ajuste el labio delantero (A) y el trasero (C) y después apriete todas las tuercas de mariposa.
3. Compruebe que el labio delantero (A) y el trasero (C) estén en buenas condiciones, que no estén cortados o desgarrados, de lo contrario, sustitúyalos según el procedimiento siguiente. Compruebe si la esquina delantera (E) o la esquina trasera (F) está desgastada; si es necesario, dé vuelta el labio para sustituir la esquina desgastada con aquella en buenas condiciones. Si ambas las esquinas están demasiado desgastadas, reemplace el labio de acuerdo con el siguiente procedimiento:
 - Retire las tuercas de mariposa (J) y el tornillo (K), extraiga la cinta de sujeción (B), después sustituya/dé vuelta el labio delantero (A). Monte el labio en orden contrario al desmontaje.
 - Retire las tuercas de mariposa (J) y el tornillo (K), extraiga la cinta de sujeción (D), después sustituya/dé vuelta el labio trasero (C). Monte el labio en orden contrario al desmontaje. Después de cambiar el labio (o de haberlo dado vuelta), monte la boquilla como se muestra en el paso anterior.
4. Instale la boquilla (E, Figura 15) y atornille los reguladores (D, Figura 15).
5. Conecte el tubo de aspiración (B, Figura 15) a la boquilla (C, Figura 15)

**Figura 16****REJILLA DEL DEPÓSITO Y DE LA ASPIRACIÓN CON LIMPIEZA DEL FLOTADOR E INSPECCIÓN DE LA GOMA DE LA TAPA**

1. Empuje la máquina hacia una superficie nivelada.
2. Asegúrese de que la máquina está apagada.
3. Gire la tapa del depósito de recogida (A, Figura 17) a 90 grados, donde se lo pueda quitar depósito de recogida y luego quite el filtro de flotador de bola (B) de la tapa del depósito de recogida.
4. Limpie la tapa del depósito de recogida (A), depósito de recogida (C), del depósito de la solución limpia (D) y del filtro con flotador de bola (B). Vacíe el depósito de recogida usando el tubo de descarga (D, Figura 11).
5. Instale el filtro con flotador de bola (B) y la tapa del depósito de recogida (A).
6. Inspeccione la integridad de las tiras de sellado de los depósitos.

**NOTA**

La tira de sellado del depósito (G) produce el vacío dentro del depósito cuando el motor de aspiración está trabajando. El depósito debe estar sellado para poder absorber el agua del suelo al depósito de recogida.

7. Compruebe si la superficie de contacto de la tira de sellado (E) está en buenas condiciones y si el sellado es suficiente. Si es necesario, saque la tira de sellado del depósito a través de la ranura (F) y reemplácela. Coloque una nueva tira de sellado como se muestra (en la Figura 17), la junta debe estar de vuelta en la zona media.
8. Cierre la tapa del depósito de recuperación (A).

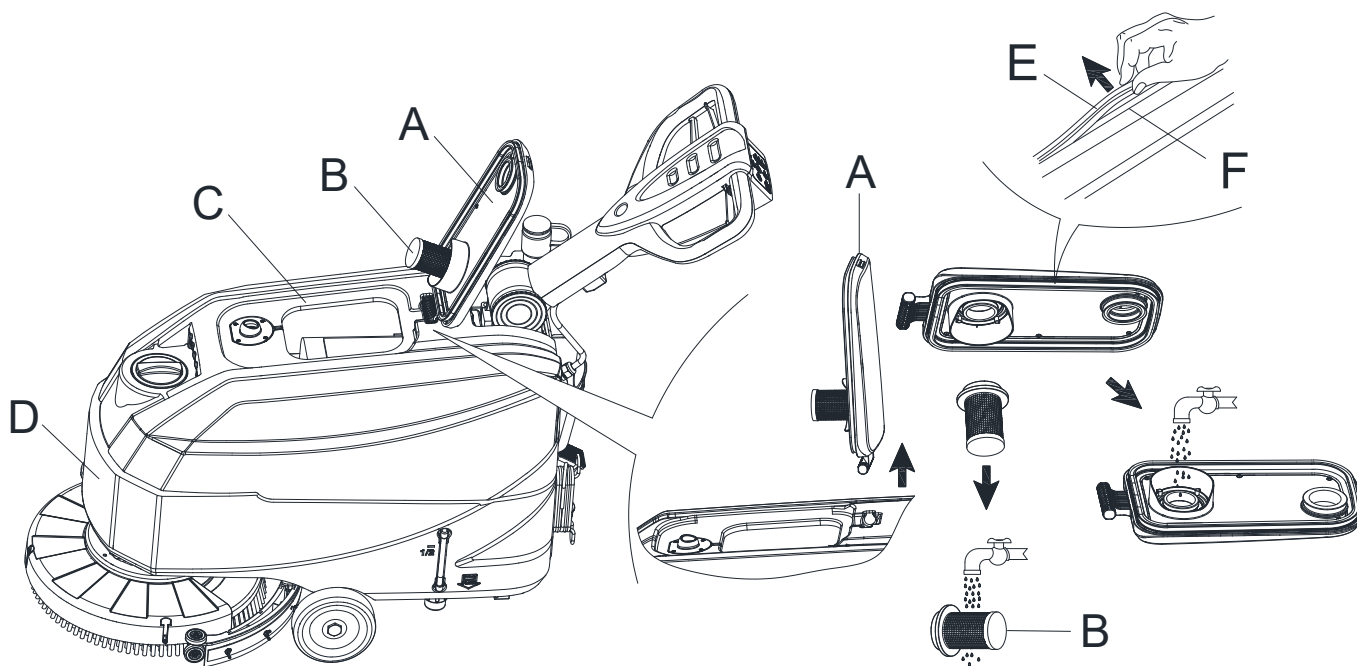


Figura 17

ACCESORIOS/OPCIONES

Además de los componentes instalados en la versión estándar, la máquina puede equiparse con los siguientes accesorios/opciones, según el uso específico:

Para más información sobre los accesorios opcionales mencionados anteriormente, póngase en contacto con un Revendedor autorizado.

ACCESORIOS/OPCIONES

Consulte la sección «Catálogo de piezas de repuestos»

1. Baterías de GEL/AGM
2. Pads de diferentes materiales
3. Cepillo de diferentes materiales
4. Cargador de a bordo
5. Labios de diferentes materiales

RESOLUCIÓN DE PROBLEMAS

PROBLEMA	Causa probable	Remedio
Los motores no funcionan; ninguna luz de advertencia se enciende.	El conector de baterías está desconectado.	Conecte el conector de batería.
	Baterías completamente descargadas.	Cargar las baterías.
Los 3 indicadores de carga de la batería parpadean contemporáneamente.	Sobrecarga del motor de cepillo.	Use cepillos que sean menos agresivos
	Material extraño (hilos enredados, etc.) que puede impedir la rotación del cepillo.	Limpie el cubo del cepillo.
Los cepillos no funcionan; ninguna luz de advertencia está encendida.	Las baterías están descargadas.	Cargar las baterías.
La aspiración del agua de recuperación es insuficiente.	El depósito de recuperación está lleno.	Vaciar el depósito.
	El tubo está desconectado de la boquilla.	Conectar.
	La rejilla de aspiración está obstruida o el flotador está atascado en posición cerrada.	Limpiar la rejilla o controlar el flotador.
	La boquilla está sucia o los labios de la boquilla están desgastados o dañados.	Limpiar y controlar la boquilla.
	La tapa del depósito no está cerrada correctamente, o la goma está desgastada, o el tubo curvo está obstruido.	Cierre bien la cubierta, o reemplace la goma o limpie el tubo curvo.
El depósito del agua de recuperación está sucio.	Limpiar.	
El flujo de la solución detergente a los cepillos es insuficiente.	El filtro de la solución detergente/agua limpia está sucio.	Limpiar el filtro.
La boquilla causa estriados en el suelo.	Residuos bajo de los labios de la boquilla.	Quitar los residuos.
	Los labios de la boquilla están desgastados, astillados o desgarrados.	Sustituir los labios.
	La boquilla no fue equilibrada mediante el regulador.	Ajustar.



NOTA

La máquina que tiene el cargador de baterías instalado no puede funcionar si el cargador no está a bordo. Si el cargador de baterías no funciona correctamente, contactar con un Centro de asistencia autorizado. Para más información, remítase al manual de servicio, disponible en cualquier Centro de asistencia.

DESGUACE

Deseche la máquina mediante una institución de tratamiento de residuos calificada.

Antes de desechar máquina, por favor lleve y separe el subconjunto a continuación que debe eliminarse en forma adecuada según las leyes y reglamentos pertinentes.

- Batería
- Cepillo/porta-pad
- Tubo de plástico y piezas de plástico
- Componentes eléctricos y electrónicos (*)

(*) Por favor contacte con el Centro de asistencias de nuestra Empresa para desechar cualquier componente electrónico y eléctrico.

Composición de material de la máquina y reciclabilidad

Tipo	% reciclable	AS4325B % de peso
Aluminio	100%	2%
Motores eléctricos - misc.	29%	23%
Materiales ferrosos	100%	32%
Cableado	80%	1%
Líquidos	100%	0%
Plástico - no reciclable	0%	1%
Plástico - reciclable	100%	38%
Caucho	20%	3%

PARTS LIST

TABLE OF CONTENTS

GENERAL VIEW.....	77
AS4325B HANDLE ASSEMBLY.....	79
AS4325B RECOVERY TANK ASSEMBLY.....	82
AS4325B SOLUTION TANK ASSEMBLY.....	84
AS4325B CHASSIS ASSEMBLY	88
AS4325B & AS4335C SQUEEGEE ASSEMBLY.....	91
AS4325B BRUSH ASSEMBLY.....	93
AS4325B WEAR AND TEAR PARTS	97
AS4325B WIRING DIAGRAM	98

WHEN ORDERING PARTS

- *Use the part numbers from the "Part. No." columns in this parts list.
- *Specify the model and serial number of the machine.
- *Use the space below to record the model and serial number for future reference.

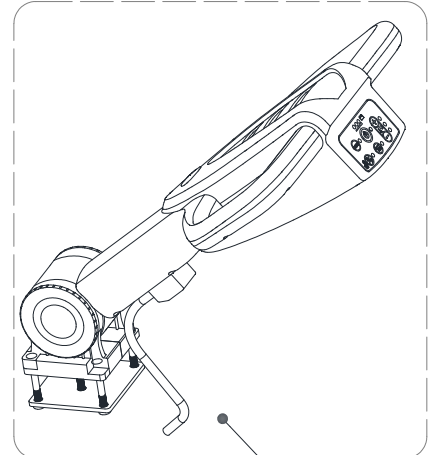
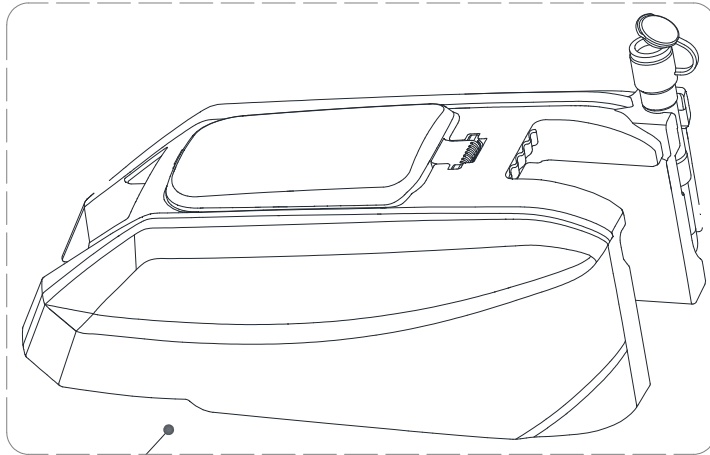
Model

Serial No.

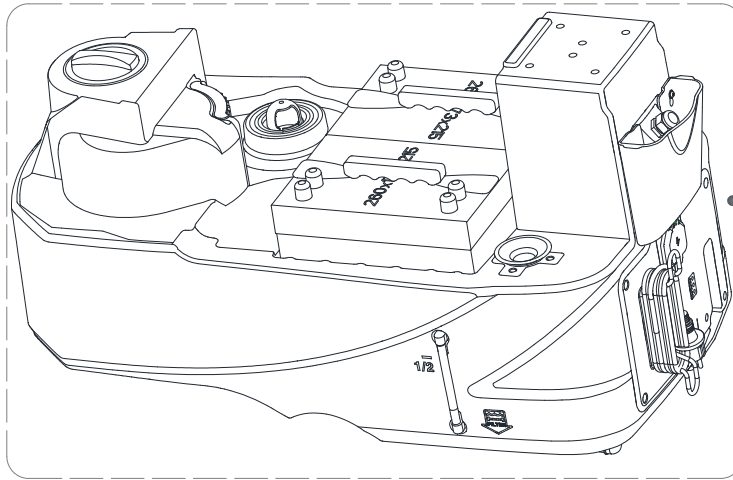
- * = Optional
- # = Modified item No. or New Item No.
- [] = Not shown

PARTS LIST

AS4325B GENERAL VIEW

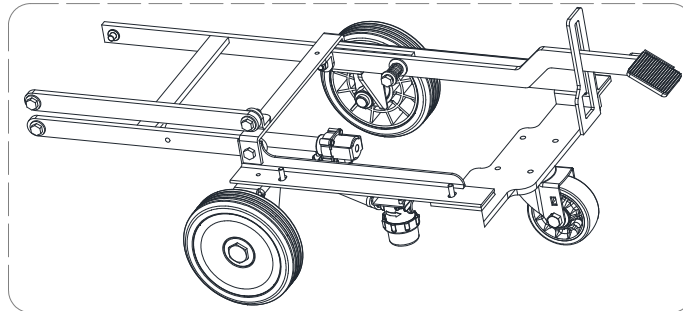


2



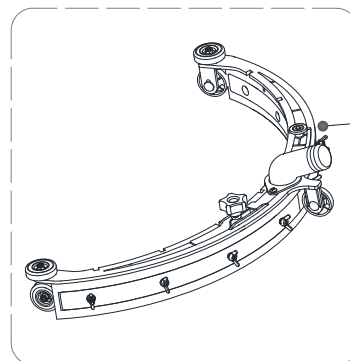
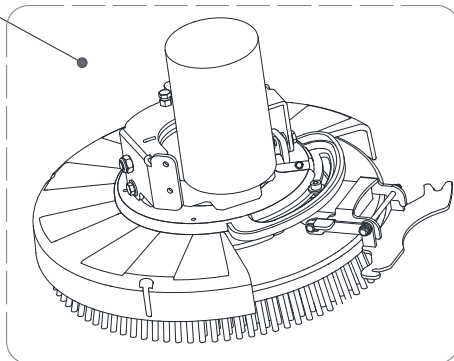
1

3



4

6



5

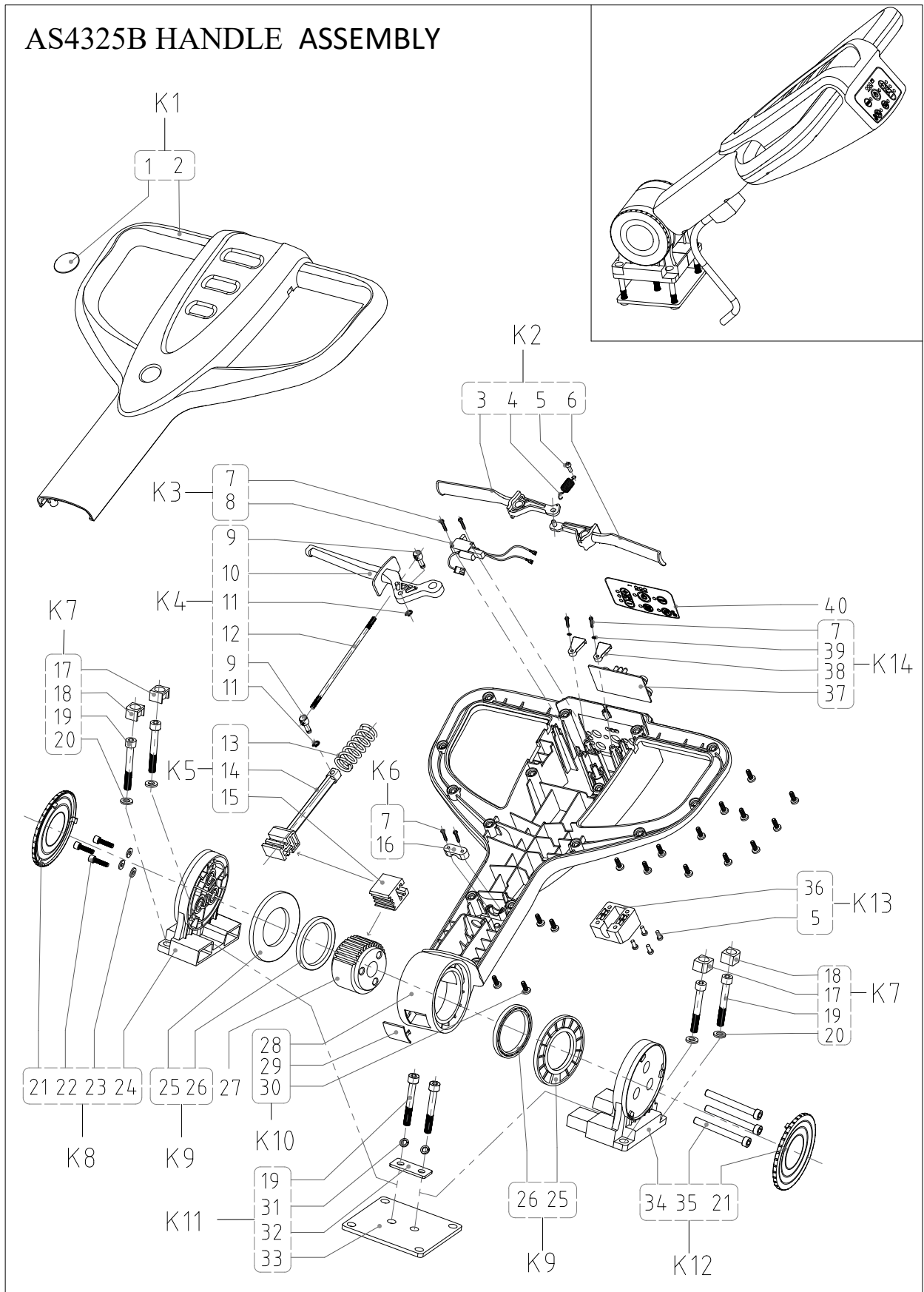
PARTS LIST

GENERAL VIEW

Item	Description	Qty
1	AS4325B HANDLE ASSEMBLY	1
2	AS4325B RECOVERY TANK ASSEMBLY	1
3	AS4325B SOLUTION TANK ASSEMBLY	1
4	AS4325B CHASSIS ASSEMBLY	1
5	AS4325B & AS4335C SQUEEGEE ASSEMBLY	1
6	AS4325B BRUSH ASSEMBLY	1

PARTS LIST

AS4325B HANDLE ASSEMBLY



PARTS LIST

AS4325B HANDLE ASSEMBLY

Kit	Item	Part No.	Description	Qty
K1	1		STICKER DROP GLUE	1
K1	2	VS15137	FRONT COVER HANDLE	1
K2	3	VS15132	RIGHT LEVER BRUSH SWITCH	1
K2	4		SPRING	1
K2/K13	5		SCREW ST4X10	5
K2	6	VS15131	LEFT LEVER BRUSH SWITCH	1
K3/K6/K14	7		SCREW ST3X16	6
K3	8	VV81432	MICRO SWITCH	1
K4	9		FIXING END OF PULLING ROD	2
K4	10	VS15133	ADJUST LEVER HANDLE	1
K4	11		LOCKWASHER	2
K4	12		PULLING ROD	1
K5	13		SPRING COMPRESSION	1
K5	14	VS15135	CONNECTION ROD	1
K5	15	VS15193	RACK	1
K6	16		CLAMP	1
K7	17		RUBBER SLEEVE SCREW ROD EDGE	2
K7	18		RUBBER SLEEVE SCREW ROD	2
K7/K11	19		SCREW ROD M8	6
K7	20		WASHER OD15.7*ID8.5*T1.5MM	4
K8/K12	21	VS15142	DECORATION COVER HANDLE	2
K8	22		SCREW M5*2	3
K8	23		WASHER ID5XOD12XT1MM	3
K8	24	VS15144	RIGHT FIXING BASE HANDLE	1
K9	25		ANTI ABRATION CIRCLE	2
K9	26		INNER FIXING CIRCLE OF GEAR	2
	27	VS15192	GEAR	1
K10	28	VS15136	REAR COVER HANDLE	1
K10	29	VS15141	SEALING COVER HANDLE	1
K10	30		SCREW PB5X14	16
K11	31		WASHER D8MM	2
K11	32		CONNECTION PLATE OF FIXING BASE	1
K11	33		FIXING PLATE OF FIXING BASE	1

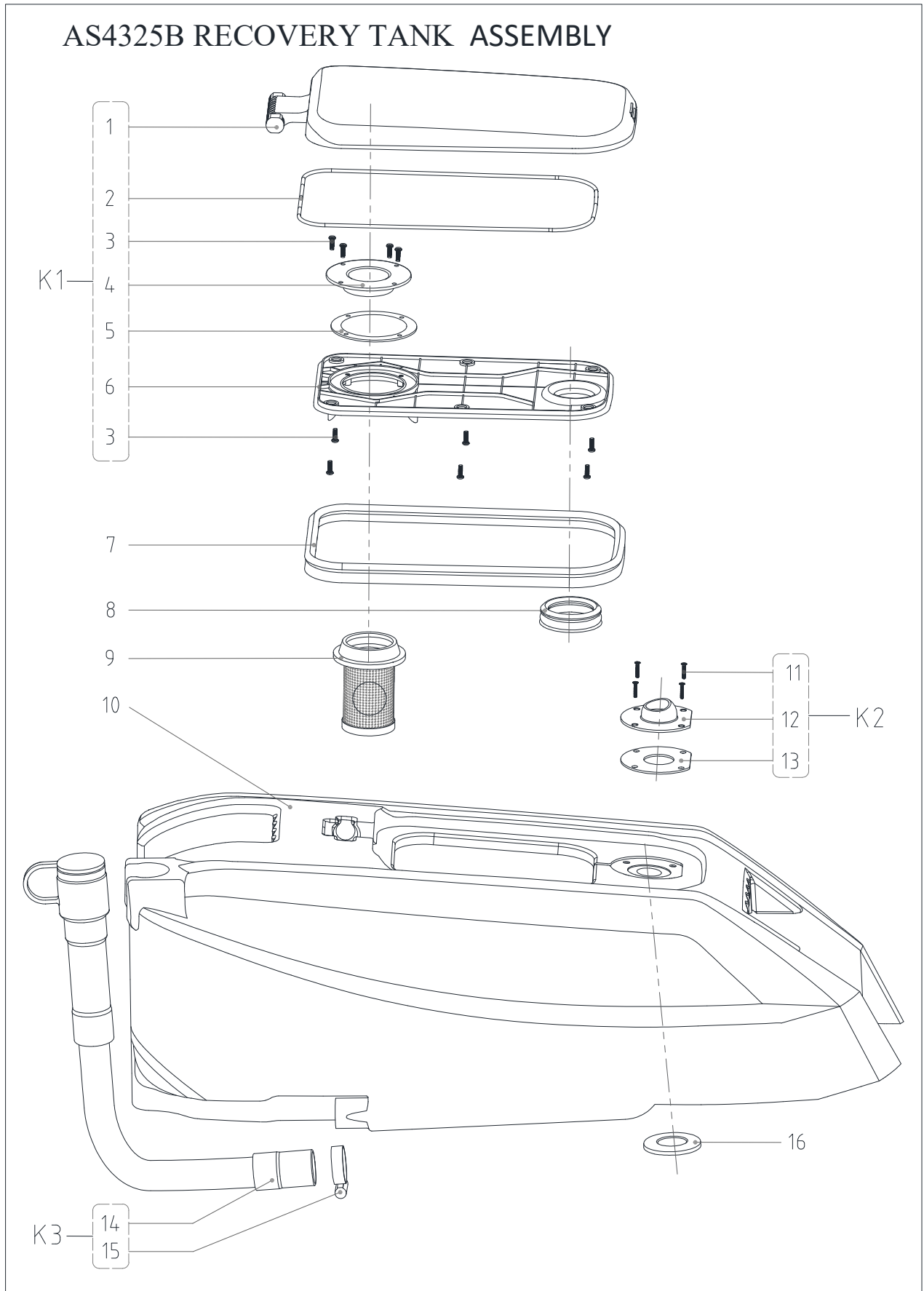
PARTS LIST

AS4325B HANDLE ASSEMBLY

Kit	Item	Part No.	Description	Qty
K12	34	VS15143	LEFT FIXING BASE HANDLE	1
K12	35		FIXING SCREW ROD OF GEAR	3
K13	36		CABLE FIXING BRACKET	1
K14	37	VS15025	DASH BOARD 24V AGM	1
K14	38		PCB FIXING PLATE	2
K14	39		WASHER	2
	40	VS15216	DECAL CONTROL PANEL BATTERY VER- SION	1
	K1	VS15383	FRONT COVER HANDLE KIT	1
	K2	VS15384	LEVER BRUSH SWITCH KIT	1
	K3	VV81063	MICRO SWITCH KIT	1
	K4	VS15385	ADJUST LEVER HANDLE KIT	1
	K5	VS15386	CONNECTION ROD KIT	1
	K6	VA21517A	CLAMP KIT	1
	K7	VS15387	RUBBER SLEEVE SCREW ROD KIT	2
	K8	VS15388	RIGHT FIXING BASE KIT	1
	K9	VS15389	INNER FIXING CIRCLE OF GEAR KIT	2
	K10	VS15390	REAR COVER HANDLE KIT	1
	K11	VS15391	FIXING PLATE OF FIXING BASE KIT	1
	K12	VS15392	LEFT FIXING BASE KIT	1
	K13	VS15393	CABLE FIXING BRACKET KIT	1
	K14	VS15394	DASH BOARD 24V AGM KIT	1

PARTS LIST

AS4325B RECOVERY TANK ASSEMBLY



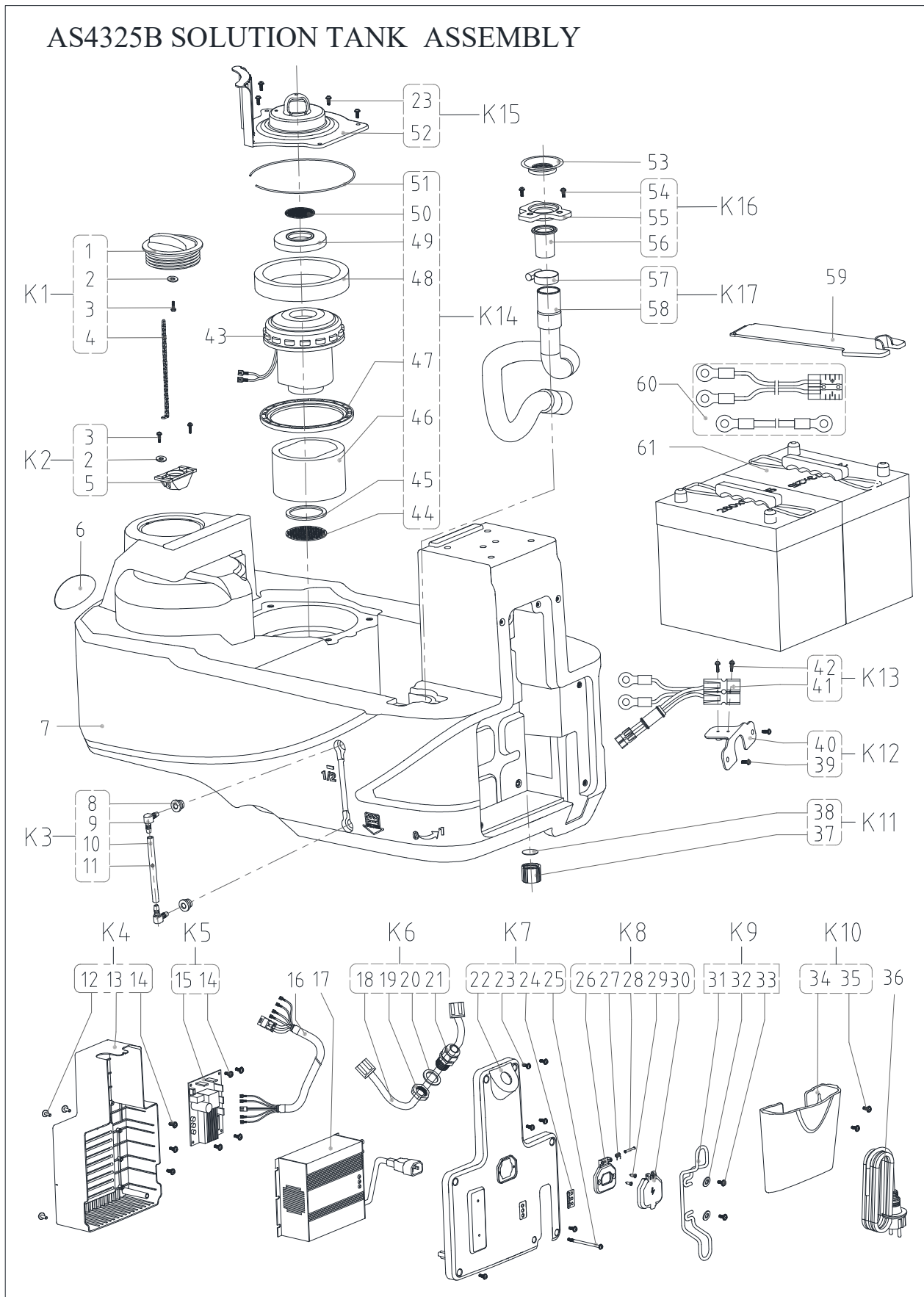
PARTS LIST

AS4325B RECOVERY TANK ASSEMBLY

Kit	Item	Part No.	Description	Qty
K1	1		RECOVERY TANK LID	1
K1	2		INNER GASKET OF RECOVERY TANK LID	1
K1	3		SCREW ST4X12	10
K1	4		FLOAT CUP ADAPTOR	1
K1	5		RUBBER GASKET OF ADAPTOR	1
K1	6		BOTTOM BASE OF RECOVERY TANK LID	1
	7	VS15225	GASKET OF RECOVERY TANK LID	1
	8	VS15226	SUCTION PORT ROUND GASKET	1
	9	VS15323	VACUUM GRID WITH AUTOMATIC SHUT-OFF FLOAT	1
	10	VS15341	RECOVERY TANK 25L DARK GREY	1
K2	11		SCREW M4*12	4
K2	12		SUCTION PORT	1
K2	13		SUCTION PORT GASKET	1
K3	14		DRAIN HOSE	1
K3	15	VS15271	CLAMP21-38MM,SUS304	1
	16	VS15320	HIGH ELASTIC GASKET, OD101xID65x8,CR30	1
	K1	VS15398	RECOVERY TANK LID ASSEMBL	1
	K2	VS15399	SUCTION PORT KIT	1
	K3	VS15400	DRAIN HOSE KIT	1

PARTS LIST

AS4325B SOLUTION TANK ASSEMBLY



PARTS LIST

AS4325B SOLUTION TANK ASSEMBLY

Kit	Item	Part No.	Description	Qty
K1	1	VF80304-010	SOLUTION COVER	1
K1/K2	2		WASHER4*12*1MM	2
K1/K2	3		SCREW TA3.5X12	3
K1	4		ZIPPER	1
K2	5		INLET PIPE FRAME	1
	6	VS15231	LOGO LABEL	1
	7	VS15148	SOLUTION TANK 25L DARK GREY	1
K3	8		JOINTS GASKET	2
K3	9		ELBOW, 90°	2
K3	10		HOSE FRESH WATER LEVEL	1
K3	11		FLOATING BALL OF WATER LEVEL	1
K4	12		SCREW PB4.0*12mm	3
K4	13		MOUNTING BASE OF CHARGER	1
K4/K5	14		SCREW PB4.0*10mm	9
K5	15	VS15026	CONTROLLER MAIN MACHINE	1
	16	VS15012	CONNETION WIRE ASSEMBLY	1
	17	VS15018	CHARGER 10A	1
K6	18		COMMUNICATION CABLE	1
K6	19		CABLE STRAIN RELIEF NUT	1
K6	20		GASKET	1
K6	21		CABLE STRAIN RELIEF	1
K7	22		CHARGE REAR COVER	1
K7/ K15	23		SCREW PWM4.0*12mm	10
K7	24	VF90004	CHARGING DISPLAY LABEL	1
K7	25		SCREW M4X70	1
K8	26		CHARGER SOCKET FIX	1
K8	27		SPRING	1
K8	28		PIN	1
K8	29		SCREW ST4.0X16	2
K8	30		CHARGER SOCKET COVER	1
K9	31		CABLE SUPPORT	1
K9	32		WASHER ID4.0XOD12X1mm	2
K9	33		SCREW ST4.0X16	2
K10*	34		BACK ACCESSORY BOX	1

PARTS LIST

AS4325B SOLUTION TANK ASSEMBLY

Kit	Item	Part No.	Description	Qty
K10*	35		SCREW WITH WASHER	2
	36	VF89724	BATTERY CHARGING CABLE US	1
K11	37		SOLUTION OUTLET COVER	1
K11	38		GASKET	1
K12	39		SCREW M4.0x12mm	2
K12	40		BRACKET CHARGER PLUG	1
K13	41		HARNESS 24V INPUT	1
K13	42		SCREW ST3X16	2
	43	VS15003	VACUUM MOTOR 24V 350W	1
K14	44		INTLET AIR FILTER GRIM	1
K14	45		INTLET AIR GASKET	1
K14	46		BOTTOM ACOUSTIC INSULATION PIPE	1
K14	47		MIDDLE GASKET	1
K14	48		UP ACOUSTIC INSULATION PIPE	1
K14	49		TOP GASKET MOTOR	1
K14	50		UP INLET AIR FILTER FRIM	1
K14	51		EVA GASKET	1
K15	52		VACUUM MOTOR COVER	1
	53	VS15240	DRAIN HOSE HORN GASKET	1
K16	54		SCREW PM4.0X12mm	2
K16	55		BRACKET SUCTION HOSE	1
K16	56		CONNECTOR SOCKET SUCTION HOSE	1
K17	57	VS15271	CLAMP21-38MM,SUS304	1
K17	58		SUCTION HOSE	1
	59	VS15248	CABLE COVER PLATE	1
	60	VS15009	BATTERY CONNECTIONS	1
	61	VF90223	BATTERIES	2
	K1	VS15401	SOLUTION COVER KIT	1
	K2	VS15402	INLET PIPE FRAME KIT	1

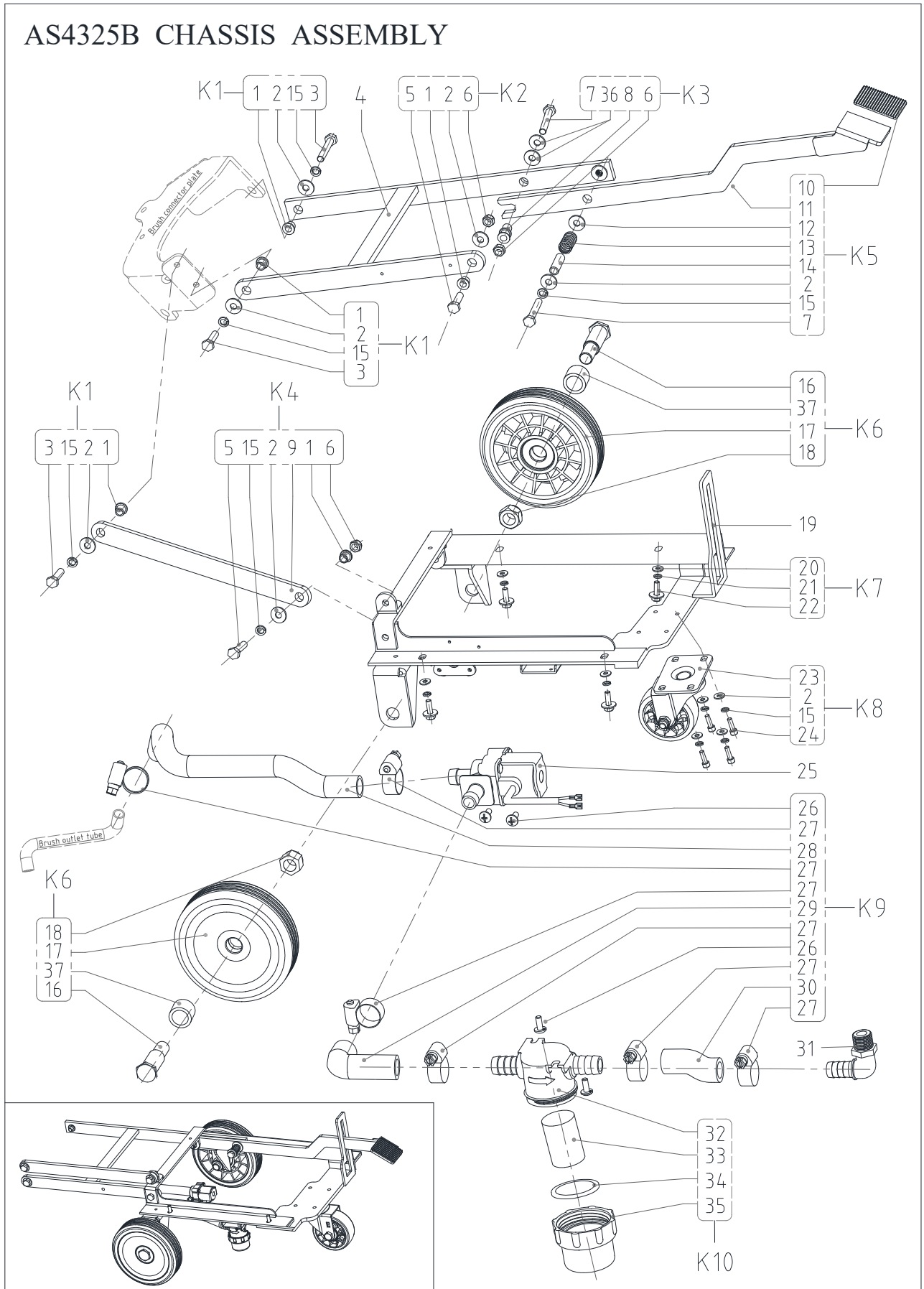
PARTS LIST

AS4325B SOLUTION TANK ASSEMBLY

Kit	Item	Part No.	Description	Qty
	K3	VS15403	HOSE FRESH WATER LEVEL KIT	1
	K4	VS15404	MOUNTING BASE OF CHARGER KIT	1
	K5	VS15405	CONTROLLER MAIN MACHINE KIT	1
	K6	VS15406	MAIN CONNECTION CABLE KIT	1
	K7	VS15407	CHARGE REAR COVER KIT	1
	K8	VS10126	CHARGER SOCKET KIT	1
	K9	VS15408	CABLE SUPPORT KIT	1
	K10*	VS15409	BACK ACCESSORY BOX KIT	1
	K11	VF89110A	SOLUTION OUTLET COVER KIT	1
	K12	VS15410	BRACKET CHARGER PLUG KIT	1
	K13	VS15411	HARNESS 24V INPUT KIT	1
	K14	VS15412	GASKET VACUUM MOTOR KIT	1
	K15	VS15413	VACUUM MOTOR COVER KIT	1
	K16	VS15414	BRACKET SUCTION HOSE KIT	1
	K17	VS15415	SUCTION HOSE KIT	1

PARTS LIST

AS4325B CHASSIS ASSEMBLY



PARTS LIST

AS4325B CHASSIS ASSEMBLY

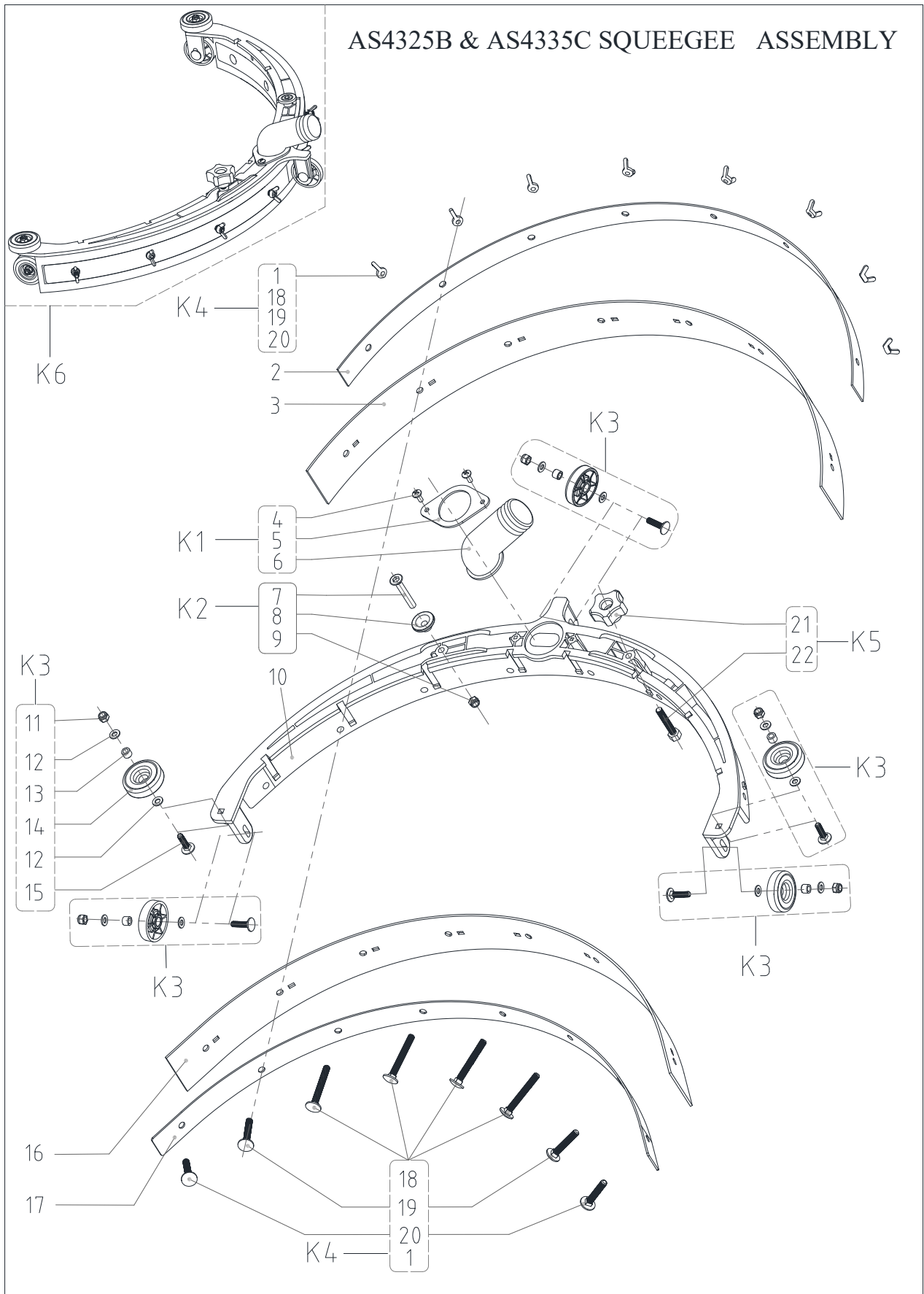
Kit	Item	Part No.	Description	Qty
K1/K2/K4	1		BUSHING	5
K1/K2/ K4/K5/K8	2		WASHER	10
K1	3		SCREW M8x25	3
	4	VS15101	BRUSH LIFTING SUPPORT	1
K2/K4	5		SCREW M8x30	2
K2/K3/K4	6		NUT M8	3
K3/K5	7		SCREW M8x50	2
K3	8		STEPS BUSHING	1
K4	9	VS15102	FRONT PEDAL BRUSH LIFTING	1
K5	10	VS10613	PEDAL LEVER GASKET	1
K5	11	VS15103	BACK PEDAL BRUSH AND SQUEEGEE LIFTING	1
K5	12		WASHER ϕ 12* ϕ 24*2	1
K5	13		RESET SPRING	1
K5	14		BUSHING	1
K1/K4/K5/K8	15		WASHER DIAMETER 8MM	9
K6	16		WHEEL SHAFT	2
K6	17	VF80115B	WHEEL 6 INCH	2
K6	18		NUT M16	2
	19	VS15100	CHASSIS	1
K7	20		SPRING WASHER	4
K7	21		WASHER DIAMETER 6MM	4
K7	22		SCREW M6*25	4
K8	23	VS15327	3.5 INCH CASTER	1
K8	24		SCREW M8x20	4
	25	VS15021	24V DC SOLENOID VALVE	1
K9	26		SCREW M4*10	4
K9	27	VV10114	CLAMP 3/8"	6
K9	28		HOSE ϕ 20MM L400mm	1
K9	29		HOSE WITH SPRING	1
K9	30		OULET HOSE ϕ 20MM	1
	31	VF81403P	ELBOW 90 PLASTIC	1
K10	32		FILTER BASE	1
K10	33	VF90608	FILTER NET	1

PARTS LIST

AS4325B CHASSIS ASSEMBLY

Kit	Item	Part No.	Description	Qty
K10	34	VF90607	O-RING	1
K10	35	VF90603	FILTER COVER	1
K2	36		PA WASHER	2
K6	37		BUSHING1	2
	K1	VS15422	SCREW KIT 1	3
	K2	VS15423	SCREW KIT 2	1
	K3	VS15424	FORNT PEDAL BRUSH LIFTING SCREW KIT	1
	K4	VS15425	SCREW KIT 3	1
	K5	VS15426	BACK PEDAL BRUSH LIFTING KIT	1
	K6	VS15427	WHEEL 6 INCH KIT	2
	K7	VS15428	SCREW KIT 4	1
	K8	VS15429	3.5 INCH CASTER KIT	1
	K9	VS15433	SOLUTION HOSE KIT	1
	K10	VF90621	FILTER KIT	1

PARTS LIST



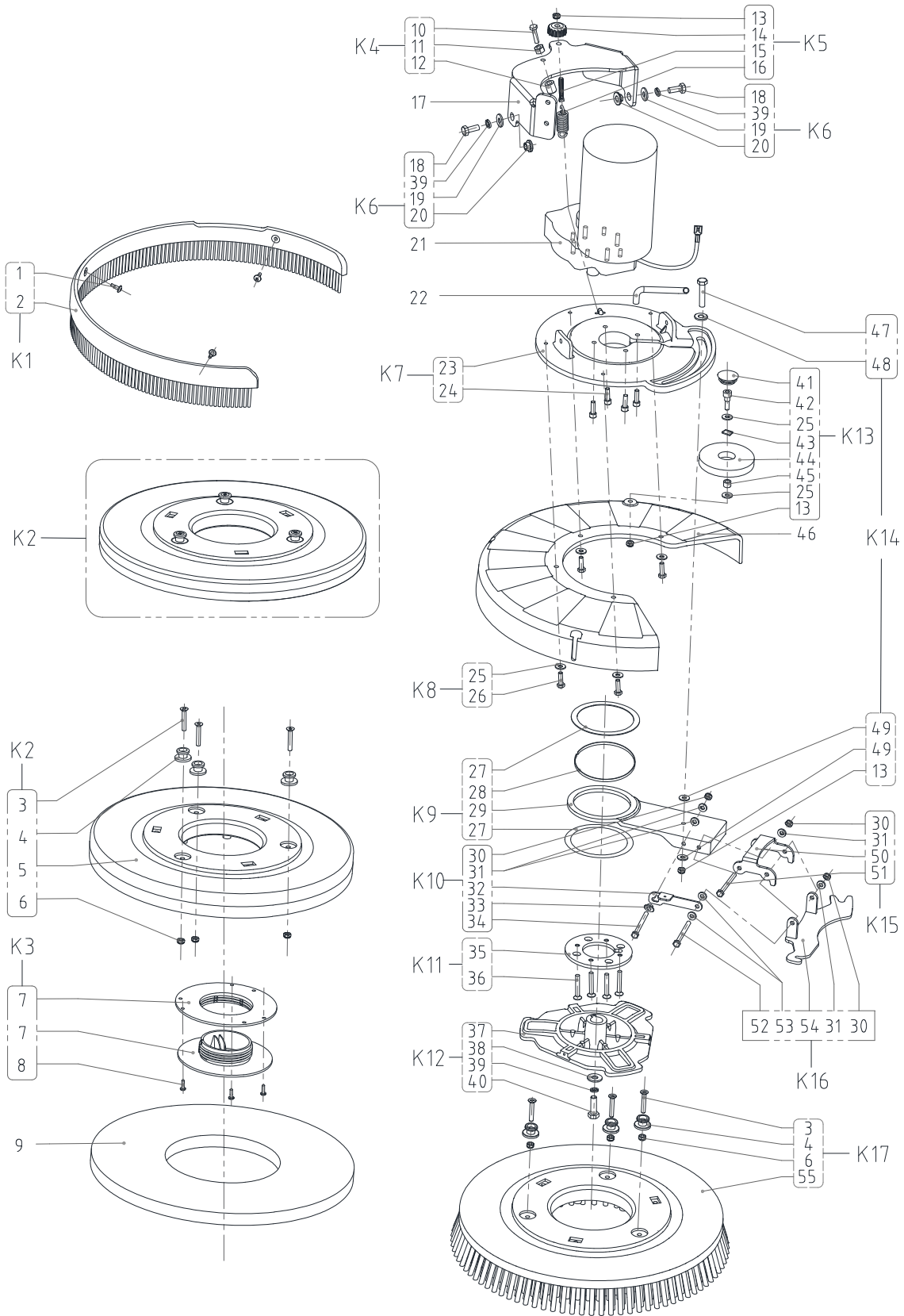
PARTS LIST

AS4325B & AS4335C SQUEEGEE ASSEMBLY

Kit	Item	Part No.	Description	Qty
K4	1	VS15267	WING NUT M5	8
	2	VS15109	SQUEEGEE REAR STRAP	1
	3a	VS15204	NR REAR BLADE NON MARKING	1
	3b*	VS15205	PU REAR BLADE NON MARKING	1
	3c*	VS15206	LINATEX REAR BLADE	1
K1	4		SCREW TM4*12	2
K1	5		RETAINER	1
K1	6	VS15160	BEND CONNECTOR	1
K2	7		SCREW M6×40	1
K2	8		STUD	1
	9		NUT M6	1
	10	VS15252	SQUEEGEE TOOL	1
K3	11		NUT M5	5
K3	12		WASHER OD14.7xID5.5xT1.2mm	10
K3	13		SPACER	5
K3	14	VS15158	SQUEEGEE WHEEL	5
K3	15		SCREW M5X20	5
	16a	VS15201	NR FRONT BLADE NON MARKING	1
	16b*	VS15202	PU FRONT BLADE NON MARKING	1
	16c*	VS15203	LINATEX FRONT BLADE	1
	17	VS15108	SQUEEGEE FRONT STRAP	1
K4	18		SCREW M5X40	4
K4	19		SCREW M5X30	2
K4	20		SCREW M5X25	2
K5	21	VS15159	SQUEEGEE KNOB	1
K5	22		SCREW M6X35	1
	K1	VS15434	BEND CONNECTOR KIT	1
	K2	VS15435	STUD KIT	1
	K3	VS15436	SQUEEGEE WHEEL KIT	5
	K4	VS15437	SQUEEGEE SCREW KIT	1
	K5	VS15438	SQUEEGEE KNOB KIT	1
	K6	VS15373	SQUEEGEE ASSEMBLY	1

PARTS LIST

AS4325B BRUSH ASSEMBLY



PARTS LIST

AS4325B BRUSH ASSEMBLY

Kit	Item	Part No.	Description	Qty
K1	1		SCREW M4	3
K1	2		SKIRT DECK	1
K2/K17	3		SCREW M6*40	6
K2/K17	4	VS15332	STUD	6
K2	5		PAD HOLDER 17 INCH	1
K2/K17	6		NUT M6	6
K3*	7*	VF99003A	RETAINER PAD	1
K3*	8*	VA13477	SCREW ST4x15	3
	9*		PAD 17 432MM	1
K4	10		SCREW M8x40	1
K4	11		NUT M8	1
K4	12	VF80241	PLASTIC REGULATING FULCRUM	1
K5/K13/K14	13		NUT M6	3
K5	14	VP11007	STRAIGHT MOVING ADJUSTING KNOB	1
K5	15		SCREW	1
K5	16		SPRING	1
	17	VS15104	BRACKET BRUSH MOTOR	1
K6	18		SCREW M8x25	2
K6	19		WASHER ID8*OD20*T2MM	2
K6	20		SPACER	2
	21	VS15032	BRUSH MOTOR 24V DC ASSEMBLY	1
	22	VS15111	INLET TUBE	1
K7	23		MOTOR FIXING PLATE	1
K7	24		SCREW M6X20	4
K8/K13	25		WASHER ID6*OD18*T1.5mm	6
K8	26		SCREW M6X20	4
K9	27	VS15154	WEAR RESISTANT WASHER	2
K9	28	VS15329	ROTATION CIRCLE	1
K9	29	VS15155	SQUEEGEE ROTATION ARM	1
K10/K15/K16	30		NUT M5	3
K10/K15/K16	31		WASHER ID5*OD10*T1.0mm	4
K10	32	VS15112	LIFTING HANDLE FOR SQUEEGEE	1
K10	33		SPACER	1

PARTS LIST

AS4325B BRUSH ASSEMBLY

Kit	Item	Part No.	Description	Qty
K10	34		SCREW Φ 6xM5x104mm	1
K11	35		SQUEEGEE TRAY	1
K11	36		SCREW M6x16	4
K12	37	VS15253	HUB BRUSH GEAR MOTOR	1
K12	38		WASHER ID8.4XOD28*T2MM	1
K6/K12	39		WASHER DIAMETER 8mm	3
K12	40		SCREW M8x30	1
K13	41	VF85128	CAP. BLACK	1
K13	42		SCREW M6X25	1
K13	43		LOCKWASHER	1
K13	44		ROLLER BUMPER	1
K13	45		SPACER	1
	46	VS15156	BRUSH DECK	1
K14	47		SCREW	1
K14	48		WASHER	1
K14	49		WASHER ID6XOD22X1.5MM	2
K15	50	VS15105	SQUEEGEE CONNECTION FRAME	1
K15	51		SCREW Φ 6xM5x96.5mm	1
K16	52		SCREW Φ 6xM5x114mm	1
K16	53		WASHER ID6XOD13X2MM	2
K16	54	VS15106	SQUEEGEE BRACKET	1
K17	55		BRUSH	1
	K1	VS15439	SKIRT BRISTLE KIT	1
	K2	VS15440	PAD HOLDER KIT	1
	K3*	VS15441	RETAINER PAD KIT	1
	K4	VS15442	REGULATING FULCRUM KIT	1
	K5	VS15443	STRAIGHT ADJUSTING KNOB KIT	1
	K6	VS15444	SCREW KIT1	2
	K7	VS15445	MOTOR FIXING PLATE KIT	1
	K8	VS15446	SCREW KIT2	1
	K9	VS15447	SQUEEGEE ROTATION ARM KIT	1

PARTS LIST

AS4325B BRUSH ASSEMBLY

Kit	Item	Part No.	Description	Qty
	K10	VS15448	LIFTING HANDLE FOR SQUEEGEE KIT	1
	K11	VS15449	SQUEEGEE TRAY KIT	1
	K12	VS15450	HUB BRUSH R.GEARMOTOR RIGHT KIT	1
	K13	VS15454	ROLLER BUMPER KIT	1
	K14	VS15451	SCREW KIT3	1
	K15	VS15452	SQUEEGEE CONNECTION FRAME KIT	1
	K16	VS15453	SQUEEGEE BRACKET KIT	1
	K17	VS15374	BRUSH KIT	1

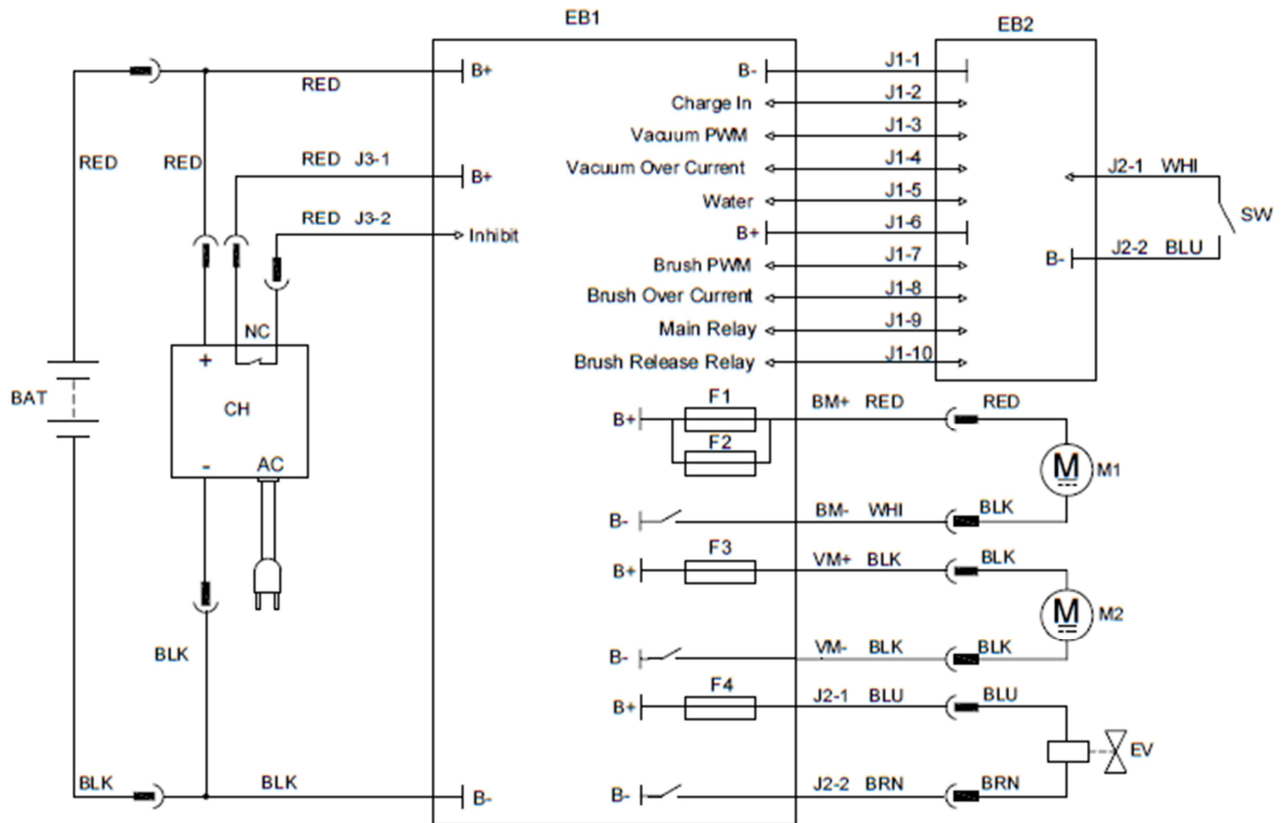
PARTS LIST

WEAR AND TEAR PARTS

Kit	Item	Part No.	Description	Qty
	1	VS15132	RIGHT LEVER BRUSH SWITCH	1
	2	VS15131	LEFT LEVER BRUSH SWITCH	1
	3	VV81432	MICRO SWITCH	1
	4	VS15133	ADJUST LEVER HANDLE	1
	5	VS15192	GEAR	1
	6	VS15025	DASH BOARD 24V AGM	1
	7	VS15386	CONNECTION ROD KIT	1
	8	VS15225	GASKET OF RECOVERY TANK LID	1
	9	VS15323	VACUUM GRID WITH AUTOMATIC SHUT-OFF FLOAT	1
	10	VS15400	DRAIN HOSE KIT	1
	11	VS15026	CONTROLLER MAIN MACHINE	1
	12	VS15018	CHARGER 10A	1
	13	VF89724	BATTERY CHARGING CABLE US	1
	14	VS15003	VACUUM MOTOR 24V 350W	1
	15	VS15403	HOSE FRESH WATER LEVEL KIT	1
	16	VF89110A	SOLUTION OUTLET COVER KIT	1
	17	VS15415	SUCTION HOSE KIT	1
	18	VF80115B	WHEEL 6 INCH	1
	19	VS15327	3.5 INCH CASTER	1
	20	VS15021	24V DC SOLENOID VALVE	1
	21	VF90621	FILTER KIT	1
	22	VS15204	NR REAR BLADE NON MARKING	1
	23	VS15160	BEND CONNECTOR	1
	24	VS15201	NR FRONT BLADE NON MARKING	1
	25	VS15159	SQUEEGEE KNOB	1
	26	VS15436	SQUEEGEE WHEEL KIT	5
	27	VS15437	SQUEEGEE SCREW KIT	1
	28	VS15253	HUB BRUSH GEAR MOTOR	1
	29	VS15032	BRUSH MOTOR 24V DC ASSEMBLY	1

PARTS LIST

AS4325B WIRING DIAGRAM



AS4325B WIRING DIAGRAM

Kit	Item	Part No.	Description	Qty
	BAT	VF90223	BATTERIES 12V 85AH/20H	2
	CH	VS15018	CHARGER 100-240V 50/60HZ 24V 10A AGM	1
	EB1	VS15026	CONTROLLER MAIN MACHINE	1
	EB2	VS15025	DASH BOARD 24V AGM	1
	M1	VS15008	BRUSH MOTOR 24VDC 400W	1
	M2	VS15003	MOTOR VACUUM 24V 300W	1
	EV	VS15021	SOLENOID VALVE 24V DC	1
	SW	VV81432	MICRO SWITCH	1

Nilfisk Inc.
9435 Winnetka Avenue North
Minneapolis, MN 55445
www.usviper.com

Nilfisk Canada
Mississauga, ON, Canada
800.668.8400

