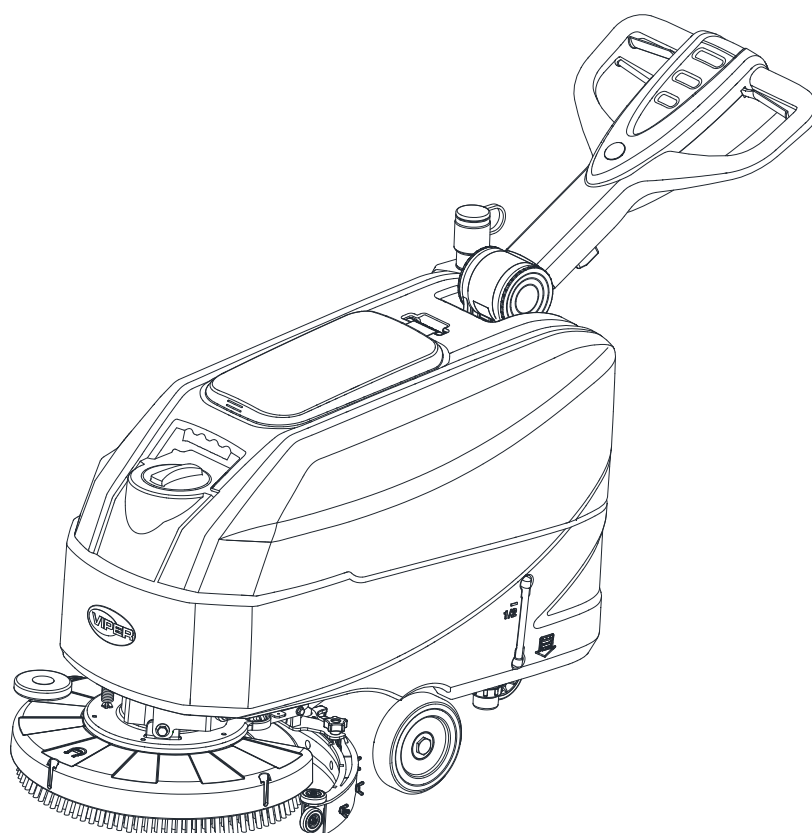


AS4325B

PARTS LIST



Model No.: 50000580/50000588

Rev. C 23.Apr. 2020

VIPER

PARTS LIST

TABLE OF CONTENTS

GENERAL VIEW.....	2
AS4325B HANDLE ASSEMBLY.....	4
AS4325B RECOVERY TANK ASSEMBLY.....	7
AS4325B SOLUTION TANK ASSEMBLY.....	9
AS4325B CHASSIS ASSEMBLY	13
AS4325B & AS4335C SQUEEGEE ASSEMBLY.....	16
AS4325B BRUSH ASSEMBLY.....	18
AS4325B WEAR AND TEAR PARTS	22
AS4325B WIRING DIAGRAM	23

WHEN ORDERING PARTS

- *Use the part numbers from the "Part. No." columns in this parts list.
- *Specify the model and serial number of the machine.
- *Use the space below to record the model and serial number for future reference.

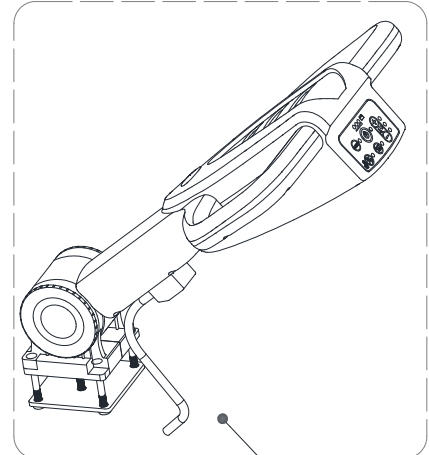
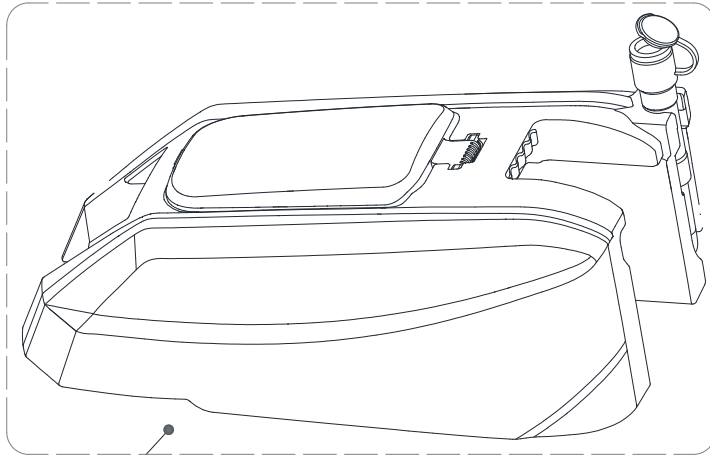
Model

Serial No.

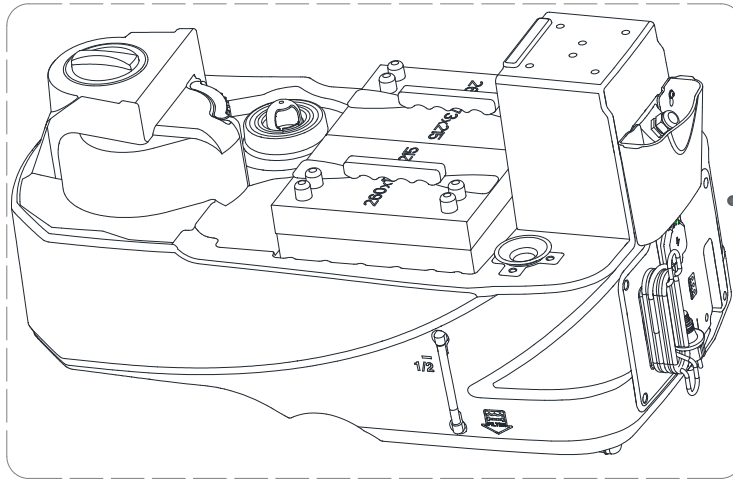
- * = Optional
- # = Modified item No. or New Item No.
- [] = Not shown

PARTS LIST

AS4325B GENERAL VIEW

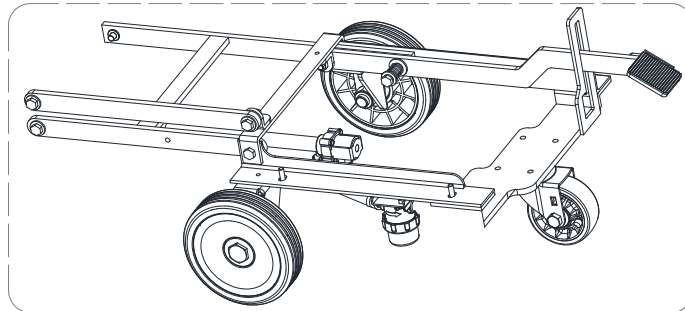


2



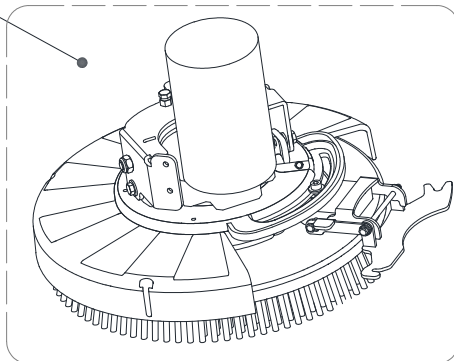
1

3

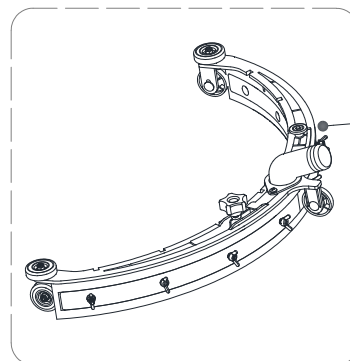


4

6



5



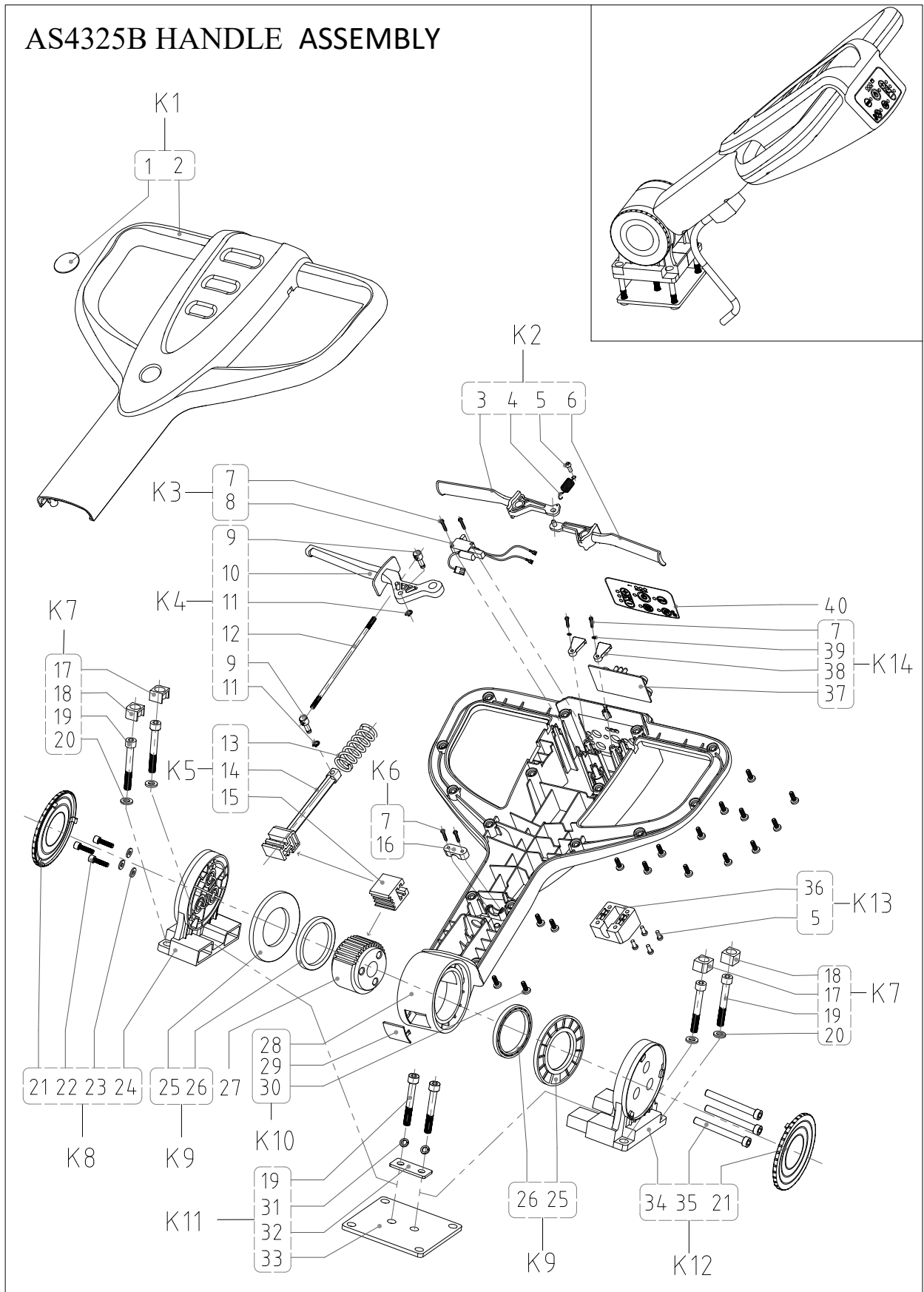
PARTS LIST

GENERAL VIEW

Item	Description	Qty
1	AS4325B HANDLE ASSEMBLY	1
2	AS4325B RECOVERY TANK ASSEMBLY	1
3	AS4325B SOLUTION TANK ASSEMBLY	1
4	AS4325B CHASSIS ASSEMBLY	1
5	AS4325B & AS4335C SQUEEGEE ASSEMBLY	1
6	AS4325B BRUSH ASSEMBLY	1

PARTS LIST

AS4325B HANDLE ASSEMBLY



PARTS LIST

AS4325B HANDLE ASSEMBLY

Kit	Item	Part No.	Description	Qty
K1	1		STICKER DROP GLUE	1
K1	2	VS15137	FRONT COVER HANDLE	1
K2	3	VS15132	RIGHT LEVER BRUSH SWITCH	1
K2	4		SPRING	1
K2/K13	5		SCREW ST4X10MM	5
K2	6	VS15131	LEFT LEVER BRUSH SWITCH	1
K3/K6/K14	7		SCREW ST3X16MM	6
K3	8	VV81432	MICRO SWITCH	1
K4	9		FIXING END OF PULLING ROD	2
K4	10	VS15133	ADJUST LEVER HANDLE	1
K4	11		LOCKWASHER	2
K4	12		PULLING ROD	1
K5	13		SPRING COMPRESSION	1
K5	14	VS15135	CONNECTION ROD	1
K5	15	VS15193	RACK	1
K6	16		CLAMP	1
K7	17		RUBBER SLEEVE SCREW ROD EDGE	2
K7	18		RUBBER SLEEVE SCREW ROD	2
K7/K11	19		SCREW ROD M8	6
K7	20		WASHER OD15.7XID8.5XT1.5MM	4
K8/K12	21	VS15142	DECORATION COVER HANDLE	2
K8	22		SCREW M5X20MM	3
K8	23		WASHER ID5XOD12XT1MM	3
K8	24	VS15144	RIGHT FIXING BASE HANDLE	1
K9	25		ANTI ABRATION CIRCLE	2
K9	26		INNER FIXING CIRCLE OF GEAR	2
	27	VS15192	GEAR	1
K10	28	VS15136	REAR COVER HANDLE	1
K10	29	VS15141	SEALING COVER HANDLE	1
K10	30		SCREW PB5X14MM	16
K11	31		WASHER Ø8MM	2
K11	32		CONNECTION PLATE OF FIXING BASE	1
K11	33		FIXING PLATE OF FIXING BASE	1

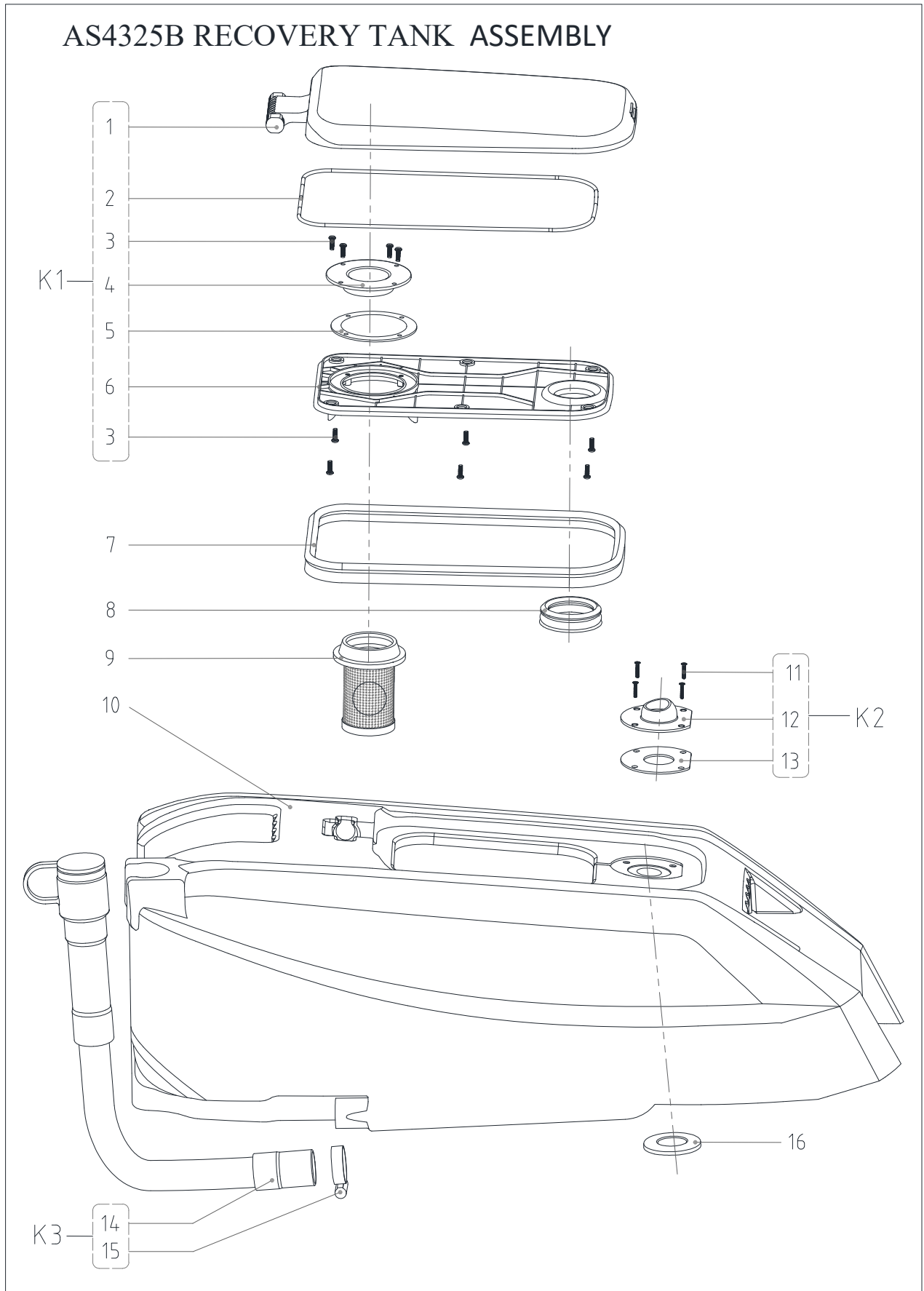
PARTS LIST

AS4325B HANDLE ASSEMBLY

Kit	Item	Part No.	Description	Qty
K12	34	VS15143	LEFT FIXING BASE HANDLE	1
K12	35		FIXING SCREW ROD OF GEAR	3
K13	36		CABLE FIXING BRACKET	1
K14	37	VS15025	DASH BOARD 24V AGM	1
K14	38		PCB FIXING PLATE	2
K14	39		WASHER	2
	40	VS15216	DECAL CONTROL PANEL BATTERY VERSION	1
	K1	VS15383	FRONT COVER HANDLE KIT	1
	K2	VS15384	LEVER BRUSH SWITCH KIT	1
	K3	VV81063	MICRO SWITCH KIT	1
	K4	VS15385	ADJUST LEVER HANDLE KIT	1
	K5	VS15386	CONNECTION ROD KIT	1
	K6	VA21517A	CLAMP KIT	1
	K7	VS15387	RUBBER SLEEVE SCREW ROD KIT	2
	K8	VS15388	RIGHT FIXING BASE KIT	1
	K9	VS15389	INNER FIXING CIRCLE OF GEAR KIT	2
	K10	VS15390	REAR COVER HANDLE KIT	1
	K11	VS15391	FIXING PLATE OF FIXING BASE KIT	1
	K12	VS15392	LEFT FIXING BASE KIT	1
	K13	VS15393	CABLE FIXING BRACKET KIT	1
	K14	VS15394	DASH BOARD 24V AGM KIT	1

PARTS LIST

AS4325B RECOVERY TANK ASSEMBLY



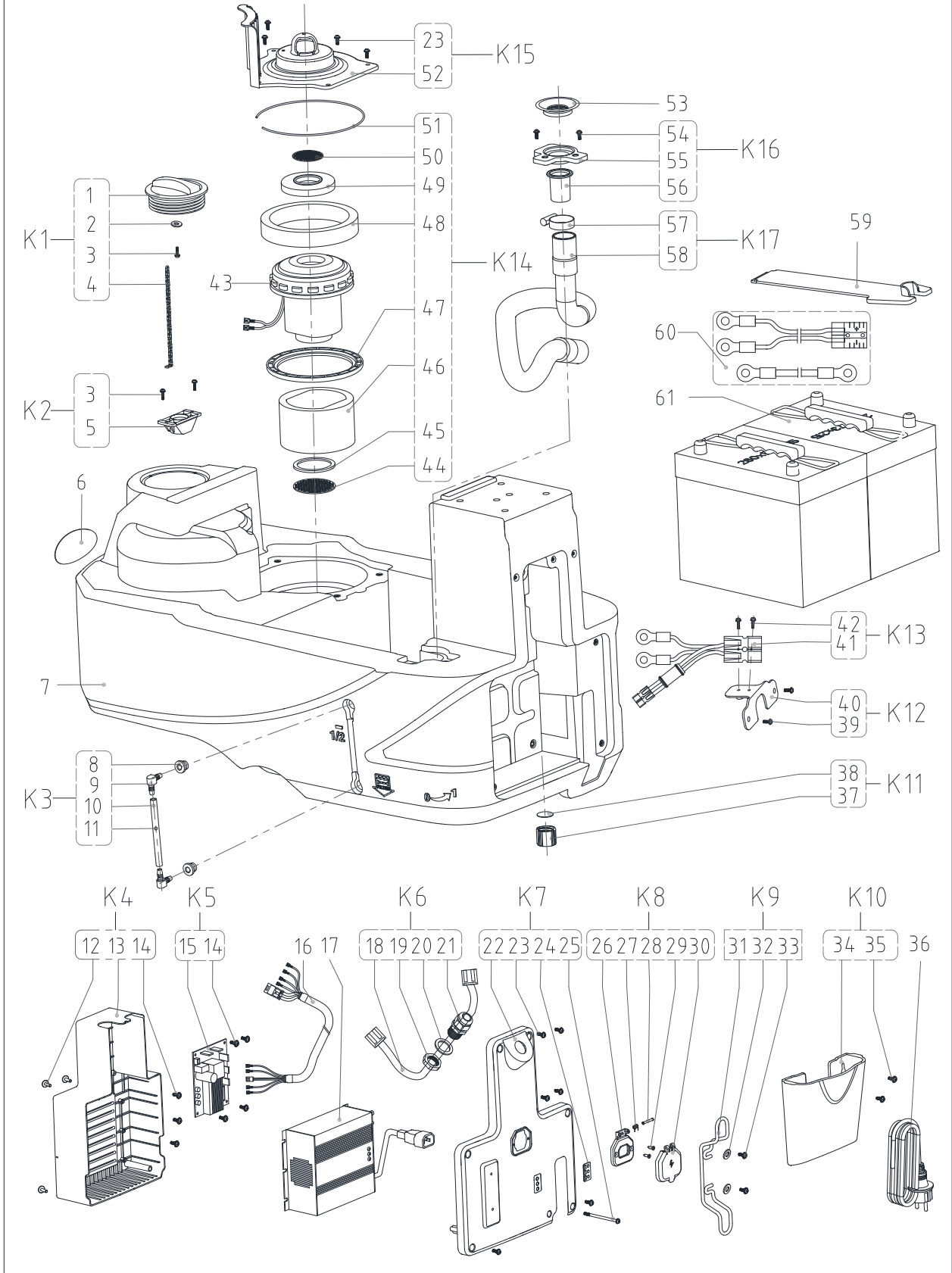
PARTS LIST

AS4325B RECOVERY TANK ASSEMBLY

Kit	Item	Part No.	Description	Qty
K1	1		RECOVERY TANK LID	1
K1	2		INNER GASKET OF RECOVERY TANK LID	1
K1	3		SCREW ST4X12MM	10
K1	4		FLOAT CUP ADAPTOR	1
K1	5		RUBBER GASKET OF ADAPTOR	1
K1	6		BOTTOM BASE OF RECOVERY TANK LID	1
	7	VS15225	GASKET OF RECOVERY TANK LID	1
	8	VS15226	SUCTION PORT ROUND GASKET	1
	9	VS15323	VACUUM GRID WITH AUTOMATIC SHUT-OFF FLOAT	1
	10	VS15341	RECOVERY TANK 25L DARK GREY	1
K2	11		SCREW M4X12MM	4
K2	12		SUCTION PORT	1
K2	13		SUCTION PORT GASKET	1
K3	14		DRAIN HOSE	1
K3	15	VS15271	CLAMP21-38MM,SUS304	1
	16	VS15320	HIGH ELASTIC GASKET, OD101XID65X8MM,CR30	1
	K1	VS15398	RECOVERY TANK LID ASSEMBL	1
	K2	VS15399	SUCTION PORT KIT	1
	K3	VS15400	DRAIN HOSE KIT	1

PARTS LIST

AS4325B SOLUTION TANK ASSEMBLY



PARTS LIST

AS4325B SOLUTION TANK ASSEMBLY

Kit	Item	Part No.	Description	Qty
K1	1	VF80304-010	SOLUTION COVER	1
K1	2		WASHER4X12X1MM	1
K1/K2	3		SCREW TA3.5X12MM	3
K1	4		ZIPPER	1
K2	5		INLET PIPE FRAME	1
	6	VS15231	LOGO LABEL	1
	7	VS15148	SOLUTION TANK 25L DARK GREY	1
K3	8		JOINTS GASKET	2
K3	9		ELBOW, 90°	2
K3	10		HOSE FRESH WATER LEVEL	1
K3	11		FLOATING BALL OF WATER LEVEL	1
K4	12		SCREW PB4.0X12MM	3
K4	13		MOUNTING BASE OF CHARGER	1
K4/K5	14		SCREW PB4.0X10MM	9
K5	15	VS15026	CONTROLLER MAIN MACHINE	1
	16	VS15012	CONNETION WIRE ASSEMBLY	1
	17	VS15018	CHARGER 10A	1
K6	18		COMMUNICATION CABLE	1
K6	19		CABLE STRAIN RELIEF NUT	1
K6	20		GASKET	1
K6	21		CABLE STRAIN RELIEF	1
K7	22		CHARGE REAR COVER	1
K7/ K15	23		SCREW PWM4.0X12MM	10
K7	24	#VS15459	CHARGING DISPLAY LABEL	1
K7	25		SCREW M4X70MM	1
K8	26		CHARGER SOCKET FIX	1
K8	27		SPRING	1
K8	28		PIN	1
K8	29		SCREW ST4.0X16MM	2
K8	30		CHARGER SOCKET COVER	1
K9	31		CABLE SUPPORT	1
K9	32		WASHER ID4.0XOD12X1MM	2
K9	33		SCREW ST4.0X16MM	2
K10*	34		BACK ACCESSORY BOX	1

PARTS LIST

AS4325B SOLUTION TANK ASSEMBLY

Kit	Item	Part No.	Description	Qty
K10*	35		SCREW WITH WASHER	2
	36	VF89724	BATTERY CHARGING CABLE US	1
K11	37		SOLUTION OUTLET COVER	1
K11	38		GASKET	1
K12	39		SCREW M4.0X12MM	2
K12	40		BRACKET CHARGER PLUG	1
K13	41		HARNESS 24V INPUT	1
K13	42		SCREW ST3X16MM	2
	43	VS15003	VACUUM MOTOR 24V 350W	1
K14	44		INTLET AIR FILTER GRIM	1
K14	45		INTLET AIR GASKET	1
K14	46		BOTTOM ACOUSTIC INSULATION PIPE	1
K14	47		MIDDLE GASKET	1
K14	48		UP ACOUSTIC INSULATION PIPE	1
K14	49		TOP GASKET MOTOR	1
K14	50		UP INLET AIR FILTER FRIM	1
K14	51		EVA GASKET	1
K15	52		VACUUM MOTOR COVER	1
	53	VS15240	DRAIN HOSE HORN GASKET	1
K16	54		SCREW PM4.0X12MM	2
K16	55		BRACKET SUCTION HOSE	1
K16	56		CONNECTOR SOCKET SUCTION HOSE	1
K17	57	VS15271	CLAMP21-38MM,SUS304	1
K17	58		SUCTION HOSE	1
	59	VS15248	CABLE COVER PLATE	1
	60	VS15009	BATTERY CONNECTIONS	1
	61	VF90223	BATTERIES	2
	K1	VS15401	SOLUTION COVER KIT	1
	K2	VS15402	INLET PIPE FRAME KIT	1

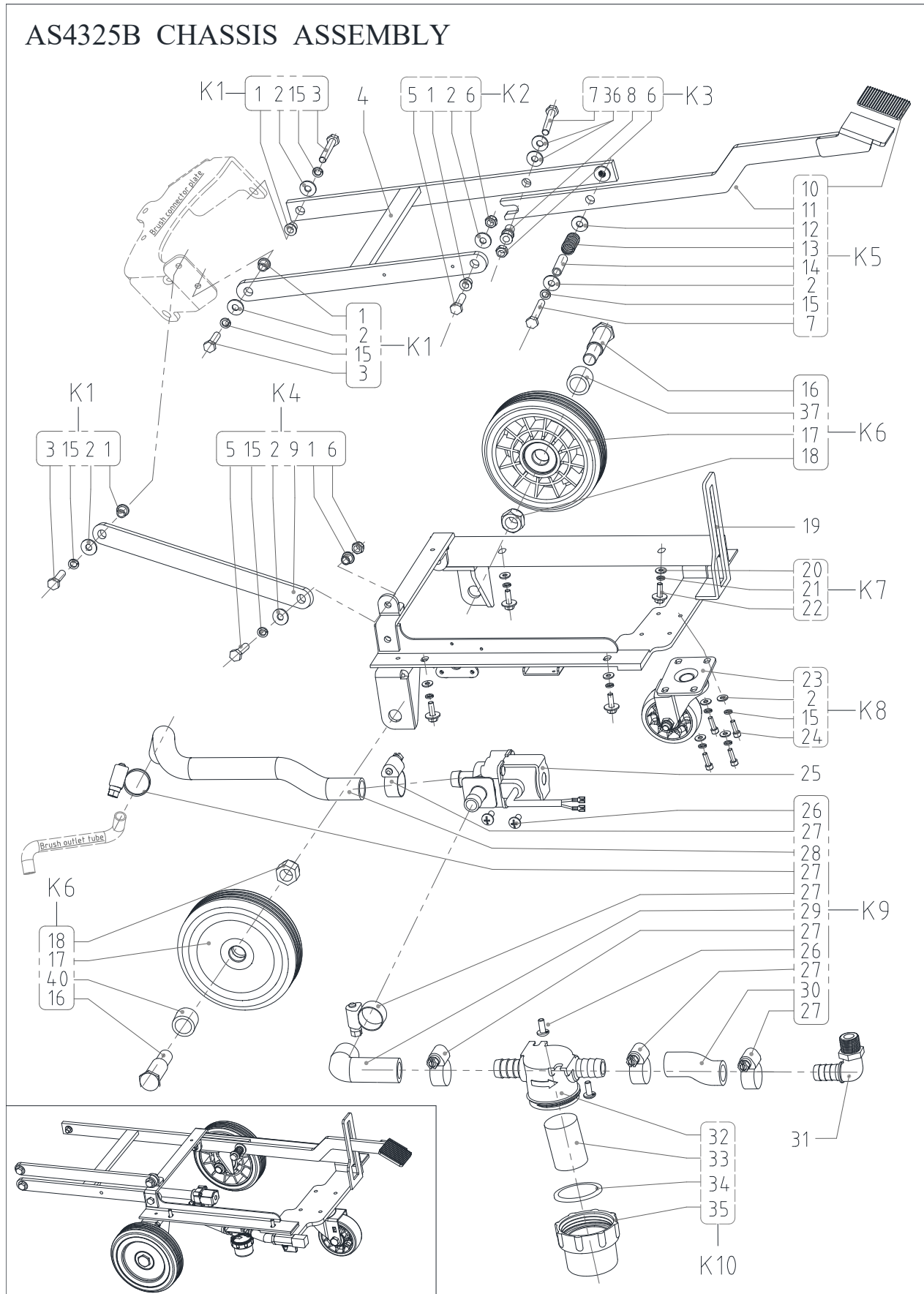
PARTS LIST

AS4325B SOLUTION TANK ASSEMBLY

Kit	Item	Part No.	Description	Qty
	K3	VS15403	HOSE FRESH WATER LEVEL KIT	1
	K4	VS15404	MOUNTING BASE OF CHARGER KIT	1
	K5	VS15405	CONTROLLER MAIN MACHINE KIT	1
	K6	VS15406	MAIN CONNECTION CABLE KIT	1
	K7	VS15407	CHARGE REAR COVER KIT	1
	K8	VS10126	CHARGER SOCKET KIT	1
	K9	VS15408	CABLE SUPPORT KIT	1
	K10*	VS15409	BACK ACCESSORY BOX KIT	1
	K11	VF89110A	SOLUTION OUTLET COVER KIT	1
	K12	VS15410	BRACKET CHARGER PLUG KIT	1
	K13	VS15411	HARNESS 24V INPUT KIT	1
	K14	VS15412	GASKET VACUUM MOTOR KIT	1
	K15	VS15413	VACUUM MOTOR COVER KIT	1
	K16	VS15414	BRACKET SUCTION HOSE KIT	1
	K17	VS15415	SUCTION HOSE KIT	1

PARTS LIST

AS4325B CHASSIS ASSEMBLY



PARTS LIST

AS4325B CHASSIS ASSEMBLY

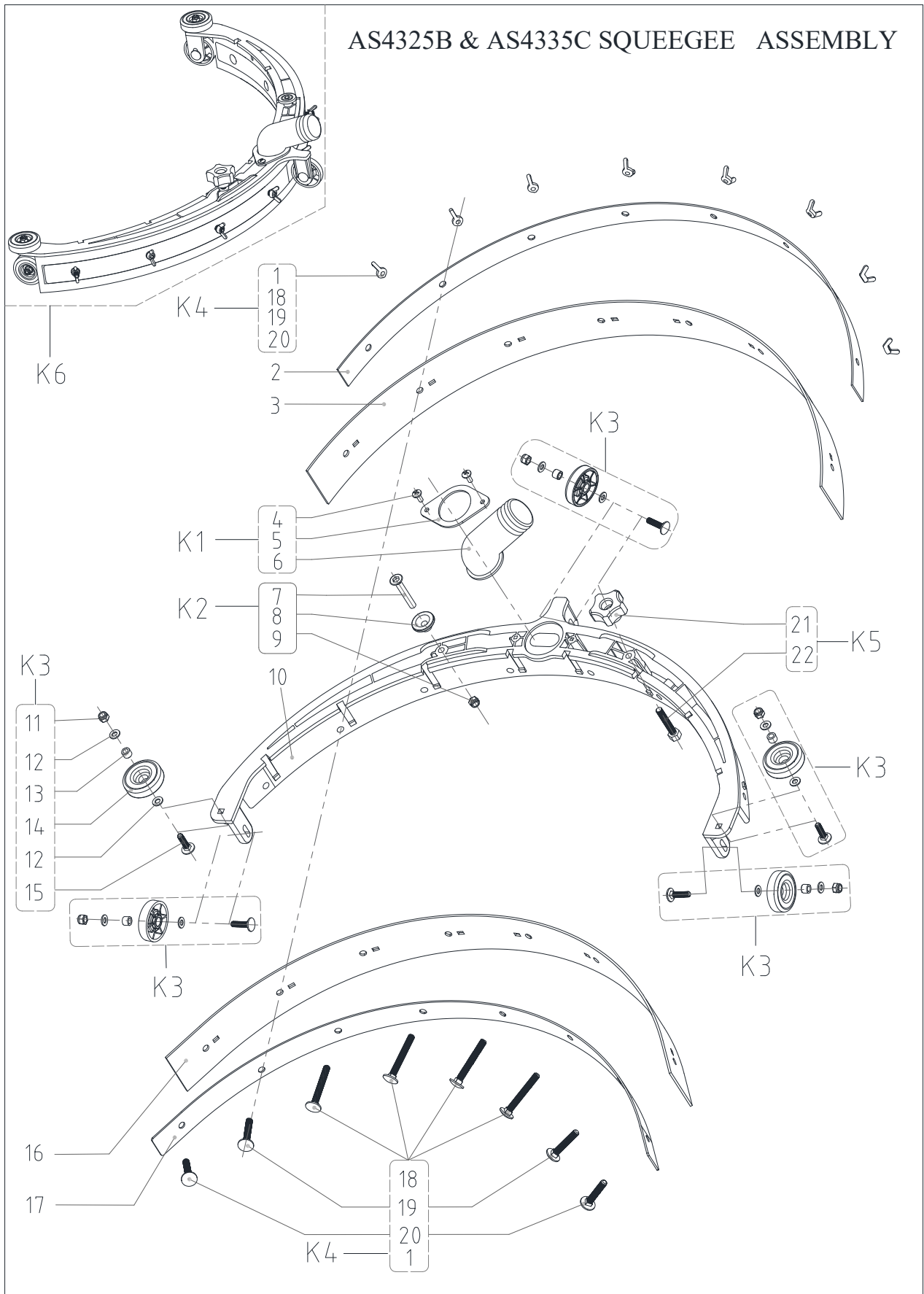
Kit	Item	Part No.	Description	Qty
K1/K2/K4	1		BUSHING	5
K1/K2/ K4/K5/K8	2		WASHER	10
K1	3		SCREW M8X25MM	3
	4	VS15101	BRUSH LIFTING SUPPORT	1
K2/K4	5		SCREW M8X30MM	2
K2/K3/K4	6		NUT M8	3
K3/K5	7		SCREW M8x50MM	2
K3	8		STEPS BUSHING	1
K4	9	VS15102	FRONT PEDAL BRUSH LIFTING	1
K5	10	VS10613	PEDAL LEVER GASKET	1
K5	11	VS15103	BACK PEDAL BRUSH AND SQUEEGEE LIFTING	1
K5	12		WASHER Ø12X Ø24X2MM	1
K5	13		RESET SPRING	1
K5	14		BUSHING	1
K1/K4/K5/K8	15		WASHER DIAMETER 8MM	9
K6	16		WHEEL SHAFT	2
K6	17	VS15430	WHEEL 6 INCH	2
K6	18		NUT M16	2
	19	VS15100	CHASSIS	1
K7	20		SPRING WASHER	4
K7	21		WASHER DIAMETER 6MM	4
K7	22		SCREW M6X25MM	4
K8	23	VS15327	3.5 INCH CASTER	1
K8	24		SCREW M8X20MM	4
	25	VS15021	24V DC SOLENOID VALVE	1
K9	26		SCREW M4X10MM	4
K9	27	VV10114	CLAMP 3/8"	6
K9	28		HOSE Ø 20MM L400mm	1
K9	29		HOSE WITH SPRING L130mm	1
K9	30		OULET HOSE Ø20MM	1
	31	VF81403P	ELBOW 90 PLASTIC	1
K10	32		FILTER BASE	1
K10	33	VF90608	FILTER NET	1
K10	34	VF90607	O-RING	1

PARTS LIST

AS4325B CHASSIS ASSEMBLY

Kit	Item	Part No.	Description	Qty
K10	35	VF90603	FILTER COVER	1
K2	36		PA WASHER	2
K6	37		BUSHING1	2
	K1	VS15422	SCREW KIT 1	3
	K2	VS15423	SCREW KIT 2	1
	K3	VS15424	FORNT PEDAL BRUSH LIFTING SCREW KIT	1
	K4	VS15425	SCREW KIT 3	1
	K5	VS15426	BACK PEDAL BRUSH LIFTING KIT	1
	K6	VS15427	WHEEL 6 INCH KIT	2
	K7	VS15428	SCREW KIT 4	1
	K8	VS15429	3.5 INCH CASTER KIT	1
	K9	VS15433	SOLUTION HOSE KIT	1
	K10	VF90621	FILTER KIT	1

PARTS LIST



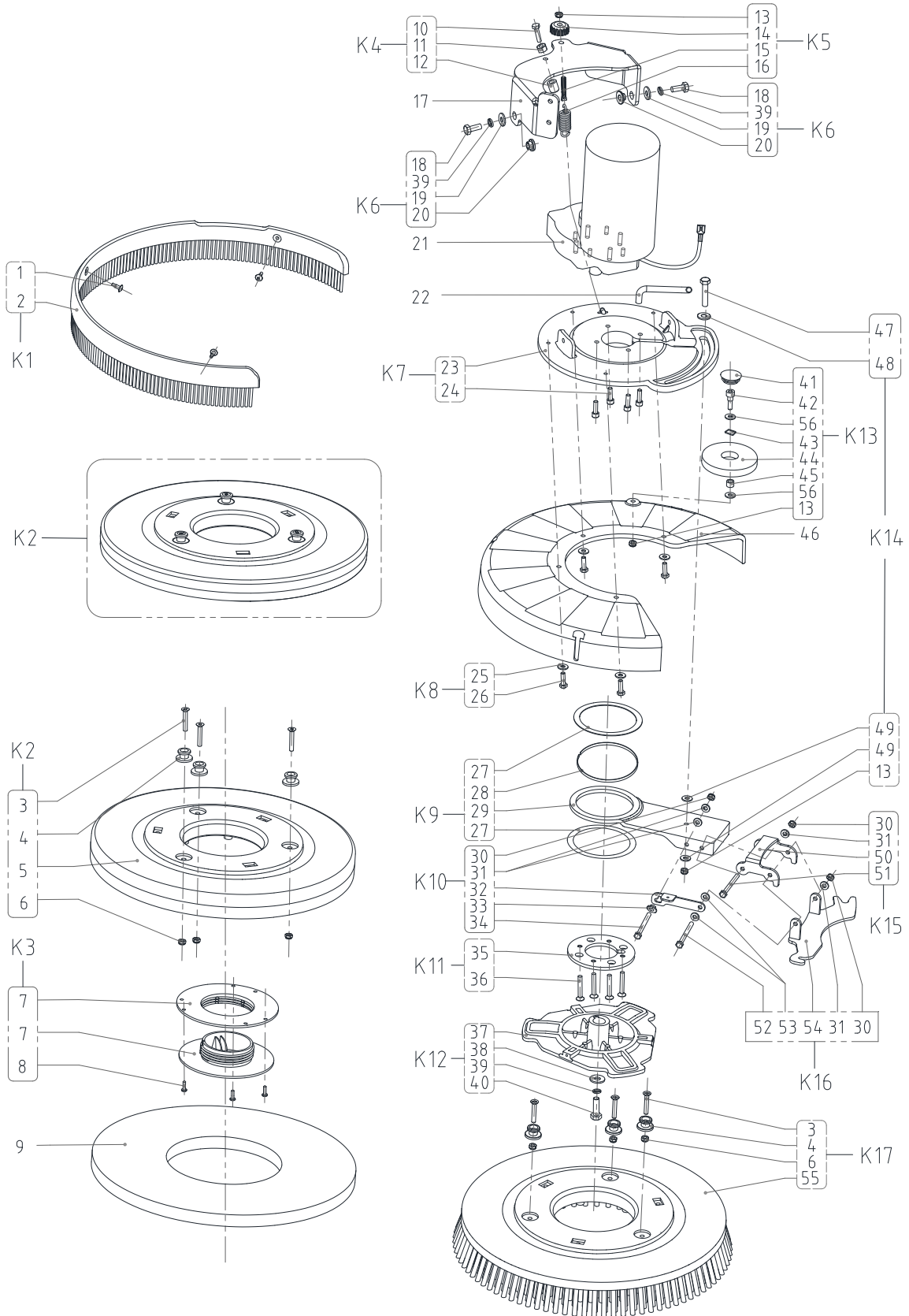
PARTS LIST

AS4325B & AS4335C SQUEEGEE ASSEMBLY

Kit	Item	Part No.	Description	Qty
K4	1	VS15267	WING NUT M5	8
	2	VS15109	SQUEEGEE REAR STRAP	1
	3a	VS15204	BLADE REAR NATURAL RUBBER	1
	3b*	VS15205	BLADE REAR PU	1
K1	4		SCREW TM4X12MM	2
K1	5		RETAINER	1
K1	6	VS15160	BEND CONNECTOR	1
K2	7		SCREW M6X40MM	1
K2	8		STUD	1
	9		NUT M6	1
	10	VS15252	SQUEEGEE TOOL	1
K3	11		NUT M5	5
K3	12		WASHER OD14.7XID5.5XT1.2MM	10
K3	13		SPACER	5
K3	14	VS15158	SQUEEGEE WHEEL	5
K3	15		SCREW M5X20MM	5
	16a	VS15201	BLADE FRONT NATURAL RUBBER	1
	16b*	VS15202	BLADE FRONT PU	1
	17	VS15108	SQUEEGEE FRONT STRAP	1
K4	18		SCREW M5X40MM	4
K4	19		SCREW M5X30MM	2
K4	20		SCREW M5X25MM	2
K5	21	VS15159	SQUEEGEE KNOB	1
K5	22		SCREW M6X40MM	1
	K1	VS15434	BEND CONNECTOR KIT	1
	K2	VS15435	STUD KIT	1
	K3	VS15436	SQUEEGEE WHEEL KIT	5
	K4	VS15437	SQUEEGEE SCREW KIT	1
	K5	VS15438	SQUEEGEE KNOB KIT	1
	K6	VS15373	SQUEEGEE ASSEMBLY	1

PARTS LIST

AS4325B BRUSH ASSEMBLY



PARTS LIST

AS4325B BRUSH ASSEMBLY

Kit	Item	Part No.	Description	Qty
K1	1		SCREW M4	3
K1	2		SKIRT DECK	1
K2/K17	3		SCREW M6X40MM	6
K2/K17	4	VS15332	STUD	6
K2	5		PAD HOLDER 17 INCH	1
K2/K17	6		NUT M6	6
K3*	7*	VF99003A	RETAINER PAD	1
K3*	8*	VA13477	SCREW ST4X15MM	3
	9*		PAD 17 INCH	1
K4	10		SCREW M8X40MM	1
K4	11		NUT M8	1
K4	12	VF80241	PLASTIC REGULATING FULCRUM	1
K5/K13/K14	13		NUT M6	3
K5	14	VP11007	STRAIGHT MOVING ADJUSTING KNOB	1
K5	15		SCREW	1
K5	16		SPRING	1
	17	VS15104	BRACKET BRUSH MOTOR	1
K6	18		SCREW M8X25MM	2
K6	19		WASHER ID8XOD20XT2MM	2
K6	20		SPACER	2
	21	VS15032	BRUSH MOTOR 24V DC ASSEMBLY	1
	22	VS15111	INLET TUBE	1
K7	23		MOTOR FIXING PLATE	1
K7	24		SCREW M6X20MM	4
K8	25		WASHER ID6XOD15XT1.5MM	4
K8	26		SCREW M6X20MM	4
K9	27	VS15154	WEAR RESISTANT WASHER	2
K9	28	VS15329	ROTATION CIRCLE	1
K9	29	VS15155	SQUEEGEE ROTATION ARM	1
K10/K15/K16	30		NUT M5	3
K10/K15/K16	31		WASHER ID5XOD10XT1.0MM	4
K10	32	VS15112	LIFTING HANDLE FOR SQUEEGEE	1
K10	33		SPACER	1

PARTS LIST

AS4325B BRUSH ASSEMBLY

Kit	Item	Part No.	Description	Qty
K10	34		SCREW Ø 6XM5X104mm	1
K11	35		SQUEEGEE TRAY	1
K11	36		SCREW M6X16MM	4
K12	37	VS15253	HUB BRUSH GEAR MOTOR	1
K12	38		WASHER ID8.4XOD28XT2MM	1
K6/K12	39		WASHER DIAMETER 8mm	3
K12	40		SCREW M8X16MM	1
K13	41	VF85128	CAP. BLACK	1
K13	42		SCREW M6X25MM	1
K13	43		LOCKWASHER	1
K13	44		ROLLER BUMPER	1
K13	45		SPACER	1
	46	VS15156	BRUSH DECK	1
K14	47		SCREW	1
K14	48		WASHER	1
K14	49		WASHER ID6XOD22X1.5MM	2
K15	50	VS15105	SQUEEGEE CONNECTION FRAME	1
K15	51		SCREW Ø 6XM5X96.5MM	1
K16	52		SCREW Ø 6XM5X114MM	1
K16	53		WASHER ID6XOD13X2MM	2
K16	54	VS15106	SQUEEGEE BRACKET	1
K17	55		BRUSH DISC PPL Ø0.7 BLACK 17IN	1
K17*	55*		BRUSH DISC GRIT 180 GRAY 17IN	1
K13	56		WASHER ID6XOD18XT1.5MM	2
	K1	VS15439	SKIRT BRISTLE KIT	1
	K2	VS15440	PAD HOLDER 17IN NO RETAINER KIT	1
	K3*	VS15441	RETAINER PAD KIT	1
	K4	VS15442	REGULATING FULCRUM KIT	1
	K5	VS15443	DECK ADJUSTING KNOB KIT	1
	K6	VS15444	SCREW KIT1	2
	K7	VS15445	MOTOR FIXING PLATE KIT	1
	K8	VS15446	SCREW KIT2	1
	K9	VS15447	SQUEEGEE ROTATION ARM KIT	1

PARTS LIST

AS4325B BRUSH ASSEMBLY

Kit	Item	Part No.	Description	Qty
	K10	VS15448	LIFTING HANDLE FOR SQUEEGEE KIT	1
	K11	VS15449	SQUEEGEE TRAY KIT	1
	K12	VS15450	HUB BRUSH R.GEARMOTOR RIGHT KIT	1
	K13	VS15455	ROLLER BUMPER KIT	1
	K14	VS15451	SCREW KIT3	1
	K15	VS15452	SQUEEGEE CONNECTION FRAME KIT	1
	K16	VS15453	SQUEEGEE BRACKET KIT	1
	K17	VS15374	BRUSH DISC PPL Ø0.7 BLACK 17IN KIT	1
	K17*	VS15338	BRUSH DISC GRIT 180 GRAY 17IN KIT	1

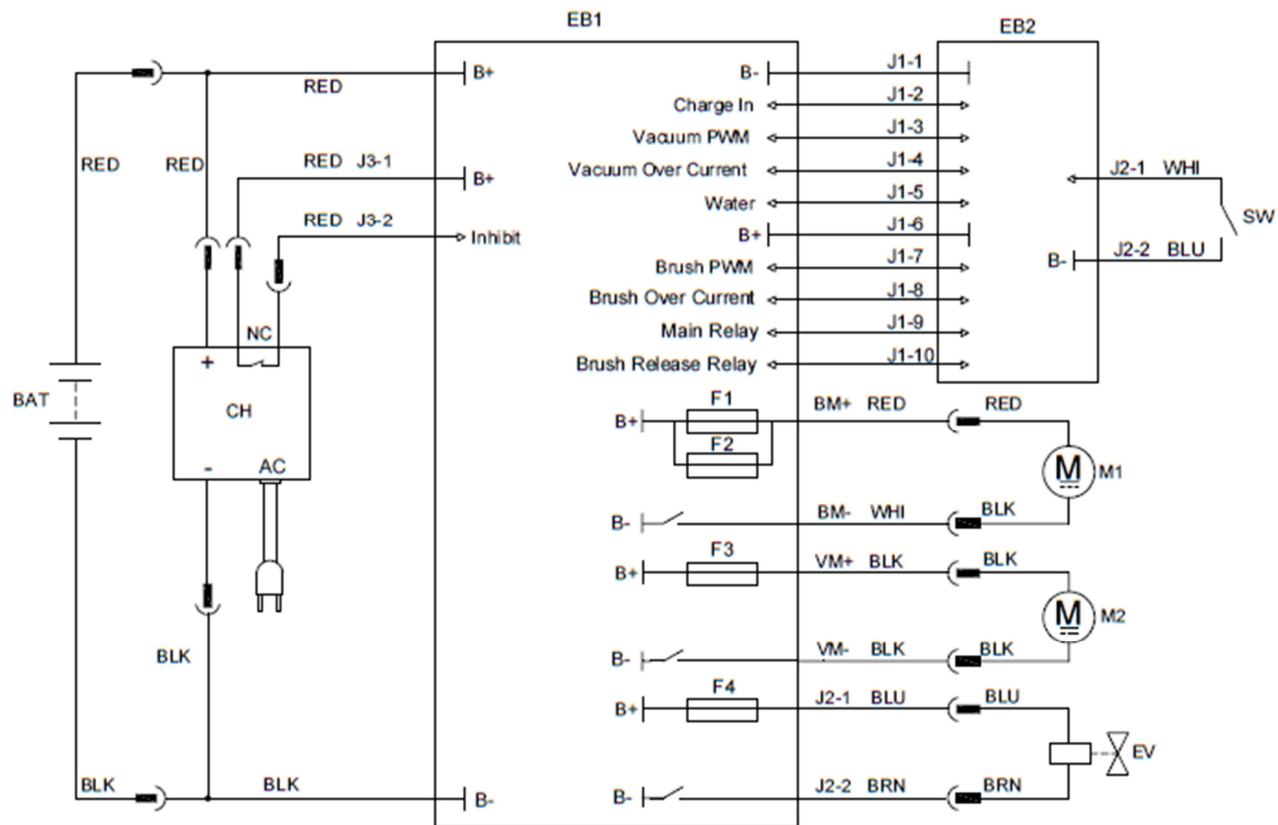
PARTS LIST

WEAR AND TEAR PARTS

Kit	Item	Part No.	Description	Qty
	1	VS15132	RIGHT LEVER BRUSH SWITCH	1
	2	VS15131	LEFT LEVER BRUSH SWITCH	1
	3	VV81432	MICRO SWITCH	1
	4	VS15133	ADJUST LEVER HANDLE	1
	5	VS15192	GEAR	1
	6	VS15025	DASH BOARD 24V AGM	1
	7	VS15386	CONNECTION ROD KIT	1
	8	VS15225	GASKET OF RECOVERY TANK LID	1
	9	VS15323	VACUUM GRID WITH AUTOMATIC SHUT-OFF FLOAT	1
	10	VS15400	DRAIN HOSE KIT	1
	11	VS15026	CONTROLLER MAIN MACHINE	1
	12	VS15018	CHARGER 10A	1
	13	VF89724	BATTERY CHARGING CABLE US	1
	14	VS15003	VACUUM MOTOR 24V 350W	1
	15	VS15403	HOSE FRESH WATER LEVEL KIT	1
	16	VF89110A	SOLUTION OUTLET COVER KIT	1
	17	VS15415	SUCTION HOSE KIT	1
	18	VF80115B	WHEEL 6 INCH	1
	19	VS15327	3.5 INCH CASTER	1
	20	VS15021	24V DC SOLENOID VALVE	1
	21	VF90621	FILTER KIT	1
	22	VS15204	BLADE REAR NATURAL RUBBER	1
	23	VS15160	BEND CONNECTOR	1
	24	VS15201	BLADE FRONT NATURAL RUBBER	1
	25	VS15159	SQUEEGEE KNOB	1
	26	VS15436	SQUEEGEE WHEEL KIT	5
	27	VS15437	SQUEEGEE SCREW KIT	1
	28	VS15253	HUB BRUSH GEAR MOTOR	1
	29	VS15032	BRUSH MOTOR 24V DC ASSEMBLY	1

PARTS LIST

AS4325B WIRING DIAGRAM



AS4325B WIRING DIAGRAM

Kit	Item	Part No.	Description	Qty
	BAT	VF90223	BATTERIES 12V 85AH/20H	2
	CH	VS15018	CHARGER 100-240V 50/60HZ 24V 10A AGM	1
	EB1	VS15026	CONTROLLER MAIN MACHINE	1
	EB2	VS15025	DASH BOARD 24V AGM	1
	M1	VS15032	BRUSH MOTOR 24VDC 400W	1
	M2	VS15003	MOTOR VACUUM 24V 300W	1
	EV	VS15021	SOLENOID VALVE 24V DC	1
	SW	VV81432	MICRO SWITCH	1

www.vipercleaning.com

