

# Use and maintenance

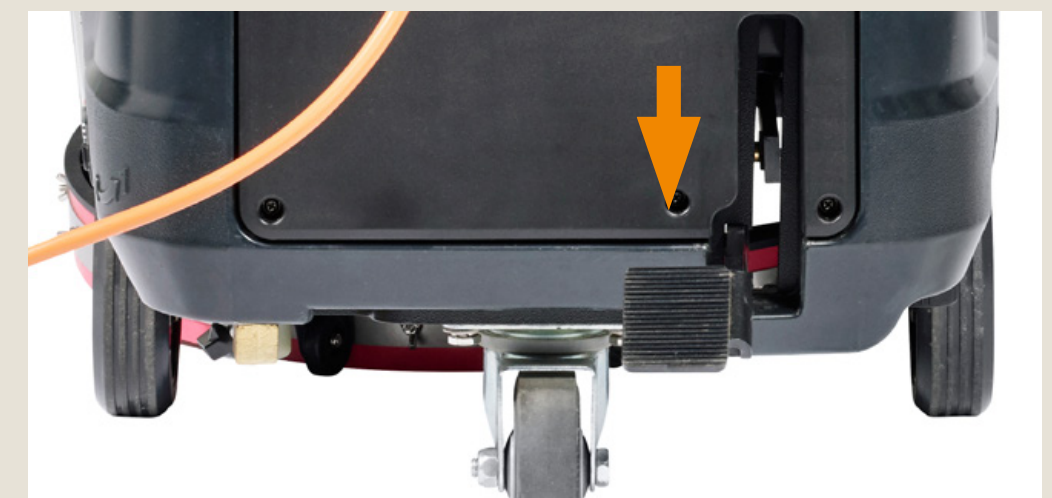
## Operating guidelines AS4335C



Remove the red cover, fill the tank 1/2 full, then add an appropriate amount of low foaming detergent. Complete the filling of the tank, and replace the red cover.



You can check the level of the solution anytime using the red ball on the left side of the machine.



Lift the deck and squeegee by pressing the pedal down and to the left.



Install the brush or pad holder onto the drive plate and give a slight clockwise turn. Lower the brush deck by pressing the pedal down and to the right.



Connect the power cord to a 3-prong grounded electrical outlet. Press the machine ON button.



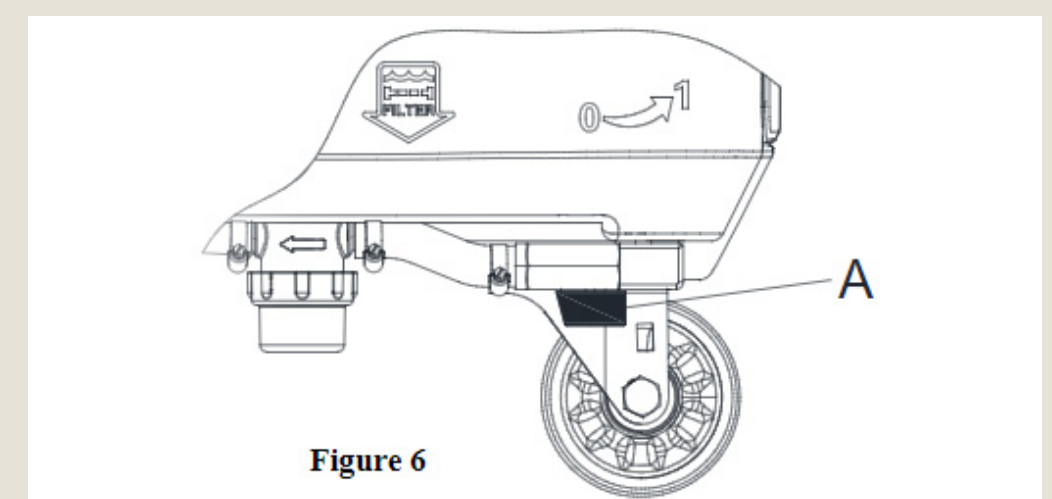
Press the solution and vacuum ON and start cleaning by placing your hands on either of the safety switches.



Either of the red safety switches can be used to operate the machine. The handle height can be raised and lowered using the black lever on the handle.



Lift the squeegee up by hand until it locks in the UP position, and turn off the vacuum, to perform double scrubbing. To return to normal working mode, use the red lever to release the squeegee, and turn the vacuum back on.



Solution flow can be adjusted to the scrubbing need by adjusting the manual valve located near the solution filter.



When scrubbing is complete, turn off the machine to perform the following maintenance.



# Maintenance

## Operating guidelines AS4335C



When scrubbing is complete, turn off the on/off button to perform the following maintenance.



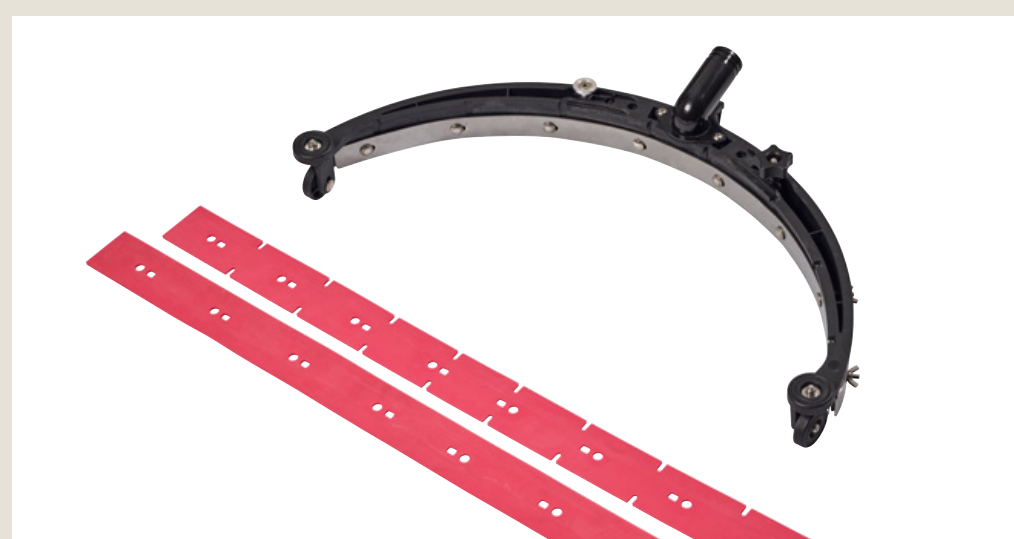
**Daily:** Empty the clean water tank using the solution tank drain knob under the machine.



**Daily:** Empty the recovery tank using the recovery empty hose. Bend the soft part before removing the cap to control the flow.



**Daily:** Inspect and rinse the float ball cage and inspect and clean the lid gasket if required.



**Daily:** Remove the squeegee, and clean. Inspect the blades and flip them or replace them if required. To remove the brush/padholder lift the deck by pressing the pedal and manually release the brush/pad.



**Weekly:** Inspect the solution filter and clean if required.



**Daily:** Leave the recovery tank lid open after it's been cleaned to avoid bad odor.

Local Viper dealer: \_\_\_\_\_

Phone number: \_\_\_\_\_

SN: \_\_\_\_\_